

JBL ON STAGE^{®*} MICRO III

Speaker Dock for iPod/iPhone



| | |
|---------------------------------|------------|
| OWNER'S MANUAL | 3 |
| BEDIENUNGSANLEITUNG | 15 |
| MANUEL D'UTILISATION | 27 |
| MANUAL DEL USUARIO | 39 |
| HANDLEIDING | 51 |
| MANUALE DI ISTRUZIONI | 63 |
| ANVÄNDARHANDBOK | 75 |
| BRUGSVEJLEDNING | 87 |
| BRUKERVEILEDNING | 99 |
| KÄYTTÖOHJEET | 111 |
| 사용 설명서 | 123 |
| ユーザーガイド | 135 |
| 用户手册 | 147 |
| РУКОВОДСТВО ПОЛЬЗОВАТЕЛЯ | 159 |
| INSTRUKCJA OBSŁUGI | 171 |
| MANUAL DE UTILIZAÇÃO | 183 |
| 使用者手冊 | 195 |
| KULLANIM KILAVUZU | 207 |



iPhone/iPod not included.

JBL ON STAGE^{®*} MICRO III


Speaker Dock for iPod/iPhone



iPhone/iPod not included.

OWNER'S MANUAL

IMPORTANT SAFETY INSTRUCTIONS

1. Read these instructions.
2. Keep these instructions.
3. Heed all warnings.
4. Follow all instructions.
5. Do not use this apparatus near water.
6. Clean only with dry cloth.
7. Do not block any ventilation openings. Install in accordance with the manufacturer's instructions.
8. Do not install near any heat sources such as radiators, heat registers, stoves, or other apparatus (including amplifiers) that produce heat.
9. Do not defeat the safety purpose of the polarized or grounding-type plug. A polarized plug has two blades with one wider than the other. A grounding-type plug has two blades and a third grounding prong. The wide blade or third prong is provided for your safety. If the provided plug does not fit into your outlet, consult an electrician for replacement of the obsolete outlet.
10. Protect the power cord from being walked on or pinched, particularly at the plugs, convenience receptacles and the point where they exit from the apparatus.
11. Only use attachments/accessories specified by the manufacturer.
12. Use only with the cart, stand, tripod, bracket or table specified by the manufacturer or sold with the apparatus. When a cart is used, use caution when moving the cart/apparatus combination to avoid injury from tip-over. 
13. Unplug this apparatus during lightning storms or when unused for long periods of time.

14. Refer all servicing to qualified service personnel. Servicing is required when the apparatus has been damaged in any way, such as: when the power supply cord or plug has become damaged, when liquid has been spilled or objects have fallen into the apparatus, when the apparatus has been exposed to rain or moisture, when the apparatus does not operate normally, or the apparatus has been dropped.
15. Do not expose this apparatus to dripping or splashing and ensure that no objects filled with liquids, such as vases, are placed on the apparatus.
16. To completely disconnect this apparatus from the AC mains, disconnect the power supply cord plug from the AC receptacle.
17. The mains plug of the power supply cord shall remain readily operable.
18. Do not expose batteries to excessive heat such as sunshine, fire or the like.



The lightning flash with arrowhead symbol, within an equilateral triangle, is intended to alert the user to the presence of uninsulated "dangerous voltage" within the product's enclosure that may be of sufficient magnitude to constitute a risk of electric shock to persons.



The exclamation point within an equilateral triangle is intended to alert the user to the presence of important operating and maintenance (servicing) instructions in the literature accompanying the product.

WARNING: To reduce the risk of fire or electric shock, do not expose this apparatus to rain or moisture.

FCC REGULATIONS

FCC INFORMATION FOR USERS

This device complies with Part 15 of the FCC Rules. Operation is subject to the following two conditions: (1) This device may not cause harmful interference; and (2) this device must accept any interference received, including interference that may cause undesired operation.

RADIO AND TELEVISION INTERFERENCE

This equipment has been tested and found to comply with the limits for a Class B digital device, pursuant to Part 15 of the FCC Rules. These limits are designed to provide reasonable protection against harmful interference in a residential installation. This equipment generates, uses and can radiate radio frequency energy and, if not installed and used in accordance with the instructions, may cause harmful interference to radio communications. However, there is no guarantee that interference will not occur in a particular installation. If this equipment does cause interference to radio or television reception, which can be determined by turning the equipment off and then on, the user is encouraged to try to correct the interference by one or more of the following measures:

- Increase the separation between the equipment and receiver.
- Connect the equipment to a different outlet so that the equipment and receiver are on different branch circuits.
- Consult the dealer or an experienced radio/TV technician for help. Changes or modifications not expressly approved by JBL could void the user's authority to operate the equipment.

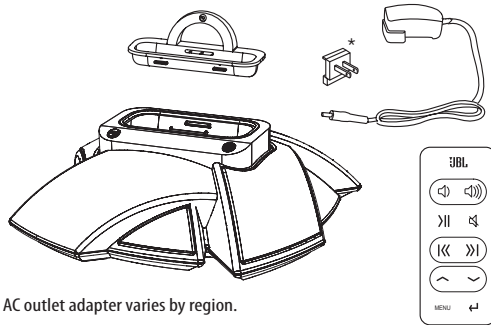
IC STATEMENT AND WARNING

This Class B digital apparatus complies with Canadian ICES-003. Cet appareil numérique de la classe B est conforme à la norme NMB-003 du Canada.

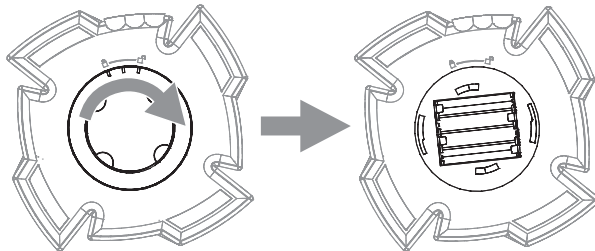
IMPORTANT NOTE FOR ALL ELECTRONIC PRODUCTS: Before inserting or unplugging audio cables from the source device's headphones or line-level output jacks, it is good practice to turn off the device first. This will prolong the life of your unit, help protect your device from static electricity and prevent potential damage.

JBL ON STAGE** MICRO III EASY SETUP GUIDE

1. Carefully unpack your speaker dock and confirm that all the items shown here are included: JBL On Stage** Micro III Speaker Dock, power supply, remote control and iPod/iPhone adapter.



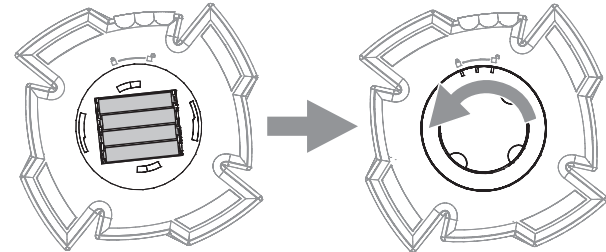
2. Rotate the battery door to the unlocked position and remove it.



3. Insert four AAA batteries in the compartment. Observe the battery polarity that is indicated inside the battery compartment.

NOTES ON BATTERY USE:

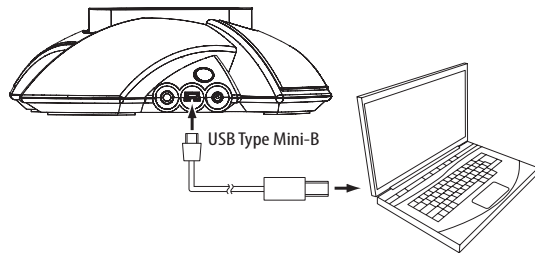
- If you are using rechargeable batteries, make sure all of them are fully charged before inserting them. The JBL On Stage Micro III will not charge rechargeable batteries.
 - If you are using conventional batteries, make sure that all of them are fresh.
 - Do not use a combination of rechargeable and conventional batteries. Use all of one type or the other.
 - The Status LED will illuminate *amber* when the batteries need to be replaced.
4. Replace the battery door and rotate it to the locked position.



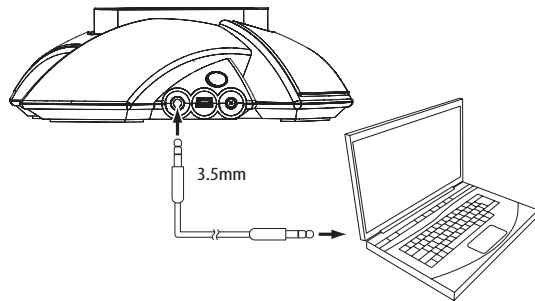
- Do not mix battery types.
- Do not mix charged and partially charged batteries.
- Batteries will not recharge while in JBL On Stage Micro III.

CAUTION: Risk of explosion of battery if replaced with incorrect type. Dispose of used batteries according to the instructions.

5. Connect a USB Type Mini-B cable (not included) to the JBL On Stage Micro III's USB port and to a USB port on the computer on which your iTunes is located.



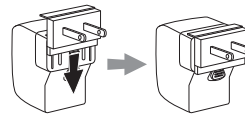
6. If you are going to use your JBL On Stage Micro III with another audio source, plug one end of a 3.5mm stereo cable (not included) into the Audio In connector, and plug the other end into the audio source's audio out or headphone out connector.



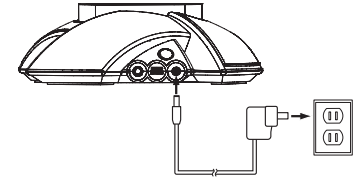
IMPORTANT: If you play audio through a docked iPod/iPhone and an audio source connected to the Audio In connection at the same time, you will hear both of their outputs mixed through the JBL On Stage Micro III. To hear only one source you will need to manually turn off the source you do not want to hear.

7. Insert the included AC outlet adapter all the way into the power supply (if there is more than one adapter, use the correct one for your region). Then connect the power supply into the JBL On Stage Micro III's 6V DC In connector and plug it into an AC wall outlet.

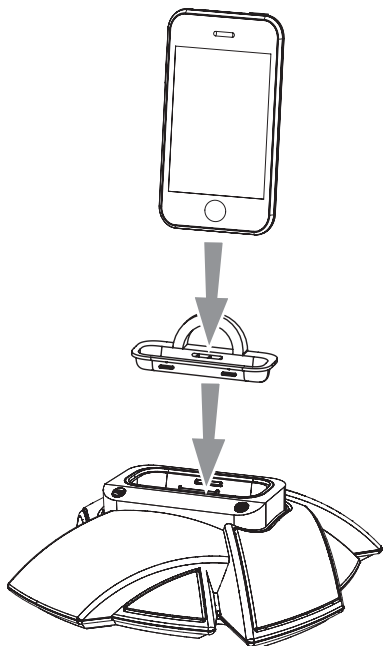
1.



2.

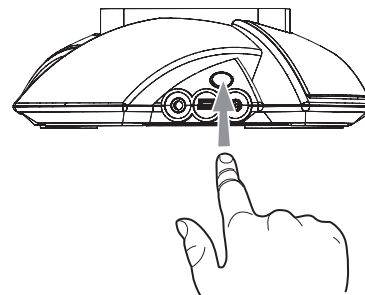


8. Place the appropriate iPod/iPhone adapter into the JBL On Stage Micro III's iPod well and place your iPod/iPhone on the docking connector. Make sure the iPod/iPhone is inserted all the way onto the connector.

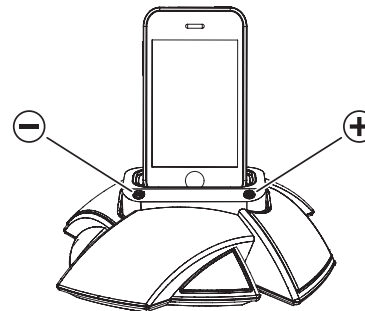


NOTE: If applicable, use the adapter supplied with your iPod or iPhone.

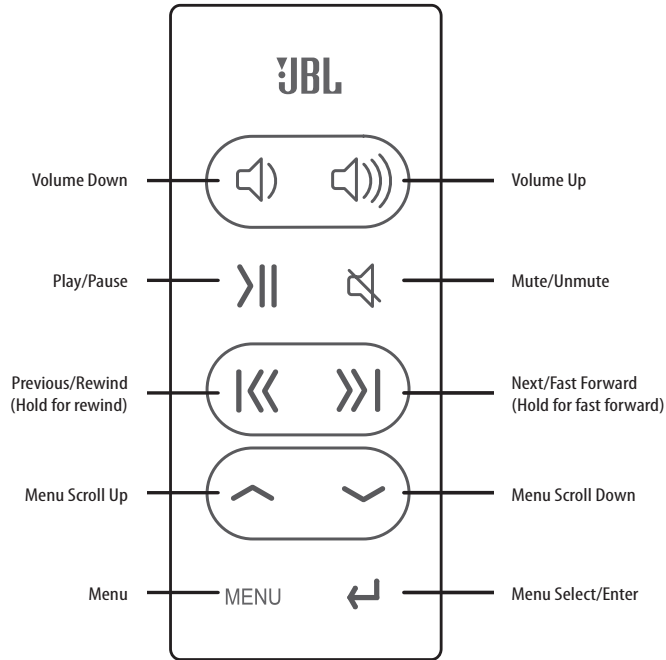
9. Press the JBL On Stage Micro III's On/Off button. The unit's Status LED will light *white* when the system is on.



10. Adjust the volume using the (+) and (-) buttons. Press both buttons to mute the sound; press either button to unmute the sound.



REMOTE CONTROL BUTTONS



NOTE: iPod touch and iPhone menu navigation may require you to manually put the iPod/iPhone in music mode.

STATUS LED

Your JBL On Stage Micro III's LED will display different colors to indicate the unit's status:

| LED Display | State |
|------------------|---|
| White – Constant | JBL On Stage Micro III is on |
| White – Flashing | JBL On Stage Micro III is muted |
| Amber – Constant | Low battery |
| Amber – Flashing | JBL On Stage Micro III is muted and low battery |
| No LED | JBL On Stage Micro III is in Standby or off |

SYNCHRONIZING WITH iTunes

NOTE: Before attempting to synchronize your iPod/iPhone with iTunes, be sure both your iPod/iPhone and iTunes are updated to the latest software version.

Before attempting to synchronize, be sure the JBL On Stage Micro III's USB port is connected to the computer on which your iTunes is located.

1. Place your iPod/iPhone on the JBL On Stage Micro III's docking connector. Make sure the iPod/iPhone is inserted all the way onto the connector.
2. Use your computer's iTunes software to synchronize the iPod/iPhone with iTunes.
3. When you're finished synchronizing, eject the iPod/iPhone from iTunes.

iPod/iPhone CHARGING

The JBL On Stage Micro III will charge a docked iPod/iPhone under these conditions:

- When the JBL On Stage Micro III is being powered by its AC power adapter
- When the JBL On Stage Micro III is connected to a computer via a USB cable

The JBL On Stage Micro III will not charge a docked iPod/iPhone while under battery power unless it is also connected to a computer via a USB cable.

OPERATING YOUR JBL ON STAGE MICRO III ON BATTERY POWER

If you have inserted batteries as explained in the *JBL On Stage Micro III Easy Setup Guide – Step 3*, on page 3, you can unplug the JBL On Stage Micro III's power adapter and the unit will operate on battery power.

While running on battery power, the JBL On Stage Micro III will automatically enter the Standby mode after the system detects no audio signal for 5 minutes. Upon detecting an audio signal the system will return to normal operation and the LED will light up.

When running on AC power, the JBL On Stage Micro III will automatically enter the standby mode after the system detects no audio signal for 10 minutes. As above, it will return to normal operation upon detecting an audio signal, and the LED will light up.

Notes on battery power operation:

- The JBL On Stage Micro III will not charge rechargeable batteries.
- The JBL On Stage Micro III will not charge a docked iPod/iPhone while under battery power unless it is also connected to a computer via a USB cable.

TROUBLESHOOTING YOUR JBL ON STAGE MICRO III

| PROBLEM | SOLUTION |
|---|--|
| No sound (white LED is not illuminated): | <ul style="list-style-type: none">• Make sure that the power supply is properly connected to the JBL On Stage Micro III and to a working AC outlet.• If you're using battery power, replace all four batteries with brand-new disposable or freshly charged rechargeable batteries. The LED will illuminate amber if the batteries need replacing.• JBL On Stage Micro III is in the energy conservation mode (no sound was detected for at least 10 minutes). |
| No sound (white LED is illuminated): | <ul style="list-style-type: none">• Touch the Volume Up (+) button to increase the system volume.• If you're using a docked iPod/iPhone, make sure that it is properly docked in the JBL On Stage Micro III.• If you're using an auxiliary source, make sure that the audio cable is properly connected to the JBL On Stage Micro III's Audio In connector and to the source component's audio output.• Make sure that the iPod or source component is not in the Pause mode, and that its volume control is not turned all the way down. |
| Sound crackles, hisses or is distorted: | <ul style="list-style-type: none">• Turn the iPod or source component's volume down.• Make sure the iPod's EQ setting is set to "Off." |
| Loud hum or buzzing: | <ul style="list-style-type: none">• Make sure the audio cable is plugged all the way into the Audio Input jack.• Replace the audio cable.• Unplug the power supply and connect it to a different AC outlet. |

PROBLEM**SOLUTION****Maximum volume level is reduced:**

- JBL On Stage Micro III is in Battery Conservation Mode (BCM). Switch to AC power for higher performance.

Sound comes from only one speaker:

- Make sure that the iPod/iPhone is properly seated all the way into the docking connector.
- Make sure that the audio cable is plugged all the way into the Audio In jack.
- Make sure that the audio cable is a stereo cable.

SPECIFICATIONS

| | |
|-------------------------|--|
| Compatibility: | Docking versions of the iPod (including iPod nano 5th generation, iPod touch 2nd generation, iPod nano 4th generation, iPod classic, iPod touch 1st generation, iPod nano 3rd generation, iPod nano 2nd generation, iPod 5th generation, iPhone 4GB, 8GB, 16GB, iPhone 3G 8GB, 16GB, iPhone 3GS 16GB, 32GB) MP3 and CD players, desktop and laptop computers (all platforms) |
| Transducers: | 2 x 1" (25mm) JBL Odyssey™ full-range |
| Power: | 2 watts x 2 |
| Frequency response: | 110Hz – 20kHz |
| Signal-to-noise ratio: | 63dB |
| Input impedance (Aux): | 3k ohms |
| Input connections: | Main connection – iPod and iPhone docking connector; Aux input connection – 3.5mm (1/8") stereo mini jack |
| Battery requirement: | 4 x AAA, NiMh or alkaline |
| Power requirement: | 6V DC, 1.5A |
| Power consumption: | 10W (maximum) |
| Dimensions (D x W x H): | 168mm x 168mm x 54mm (6-5/8" x 6-5/8" x 2-1/4") |
| Weight: | 0.36kg (0.8 lb) |
| Available finishes: | Black; white |



HARMAN Harman Consumer, Inc.
8500 Balboa Boulevard, Northridge, CA 91329 USA

www.JBL.com

© 2010 Harman International Industries, Incorporated. All rights reserved.

Features, specifications and appearance are subject to change without notice.

JBL is a trademark of Harman International Industries, Incorporated, registered in the United States and/or other countries. Odyssey is a trademark of Harman International Industries, Incorporated.

*The trademark On Stage is used with permission of OSA International, Inc.

iPhone, iPod touch, iPod classic, iPod nano, and iTunes are trademarks of Apple, Inc., registered in the U.S. and other countries. iPod/iPhone not included.

“Made for iPod and “Made for iPhone” mean that an electronic accessory has been designed to connect specifically to iPod and iPhone, respectively, and has been certified by the developer to meet Apple performance standards. Apple is not responsible for the operation of this device or its compliance with safety and regulatory standards.

JBL ON STAGE^{®*} MICRO III

Lautsprecherdock für iPod und iPhone



iPod/iPhone nicht im
Lieferumfang enthalten.

BEDIENUNGSANLEITUNG

WICHTIGE SICHERHEITSHINWEISE

1. Bitte lesen Sie diese Bedienungsanleitung aufmerksam durch.
2. Heben Sie diese Bedienungsanleitung auf, um zu einem späteren Zeitpunkt darauf zurückgreifen zu können.
3. Alle Warnhinweise auf dem Produkt und in der Bedienungsanleitung müssen unbedingt beachtet werden.
4. Befolgen Sie bitte unbedingt alle Bedien- und Gebrauchshinweise.
5. Benutzen Sie dieses Produkt nicht in der Nähe von Wasser.
6. Verwenden Sie zur Reinigung nur ein weiches Tuch.
7. Schlitze und Öffnungen im Gehäuse dienen der Entlüftung und sorgen für zuverlässigen Betrieb. Daher dürfen sie nicht verstellt oder abgedeckt werden. Stellen Sie dieses Produkt so auf, wie vom Hersteller empfohlen.
8. Stellen Sie das Produkt nicht in der Nähe von Wärmequellen wie Heizstrahler, Heizkörper, Öfen oder anderen Geräten (einschließlich Endstufen) auf.
9. Nehmen Sie keinerlei Veränderungen am Stecker vor, die die Wirkungsweise des verpolungssicheren Steckers bzw. des Schuko-Stromanschlusses in Bezug auf deren Betriebssicherheit beeinträchtigt. Ein verpolungssicherer Stecker hat zwei unterschiedlich breite Kontakte. Der Schuko Stecker hat einen zusätzlichen Massekontakt - dieser dient Ihrem Schutz. Sollte das mitgelieferte Kabel nicht in Ihre Steckdose passen, wenden Sie sich bitte an Ihren Elektriker.
10. Netzleitungen sollte man immer so verlegen, dass niemand auf sie steigt und nicht durch irgendwelche Gegenstände eingeklemmt werden. Besonders vorsichtig sollte man mit Netzkabeln an der Stelle, wo das Kabel aus dem Gerät kommt, umgehen (Knick-Gefahr!).
11. Verwenden Sie ausschließlich Zubehör, das der Hersteller empfiehlt.
12. Benutzen Sie ausschließlich fahrbare oder sonstige Untergestelle, dreibeinige Standfüße, Unterstetzbügel oder Tische, die der Hersteller empfiehlt oder die diesem Produkt beiliegen. Verwenden Sie ein fahrbares Untergestell, müssen Sie darauf achten, dass dieses nicht umkippt und Verletzungen verursacht.



13. Trennen Sie diese Gerät während eines Gewitters oder einer längeren Zeitspanne, in der es nicht verwendet wird, von der Stromversorgung.
14. Überlassen Sie bitte Reparaturen unbedingt qualifizierten Servicetechnikern. In folgenden Fällen müssen Sie das Gerät sofort von der Stromversorgung trennen und danach eine autorisierte Werkstatt aufsuchen: defektes Netzkabel oder Netzstecker, ins Gehäuse sind Gegenstände oder Flüssigkeiten eingedrungen, das Gerät wurde Regen oder Wasser ausgesetzt, das Gerät arbeitet nicht einwandfrei oder fiel herunter.
15. Schützen Sie dieses Gerät vor Spritzwasser. Achten Sie bitte darauf, dass keine Gefäße, die Flüssigkeiten enthalten (z.B. Vasen), auf dem Gerät abgesetzt werden.
16. Möchten Sie dieses Gerät vollständig vom Stromnetz trennen, müssen Sie das Netzkabel aus der Steckdose ziehen.
17. Sorgen Sie bitte dafür, dass der Stecker des Netzteils stets betriebsbereit ist.
18. Setzen Sie Batterien keiner großen Hitze (z.B. direkte Sonneneinstrahlung oder Feuer) aus.



Das Blitzsymbol in einem gleichschenkligen Dreieck warnt vor nicht isolierten Komponenten mit gefährlicher Stromspannung, die zu ernsthaften Personenschäden führen kann.



Das Ausrufungszeichen in einem gleichschenkligen Dreieck kennzeichnet wichtige Hinweise für die Nutzung und Wartung Ihres Gerätes.

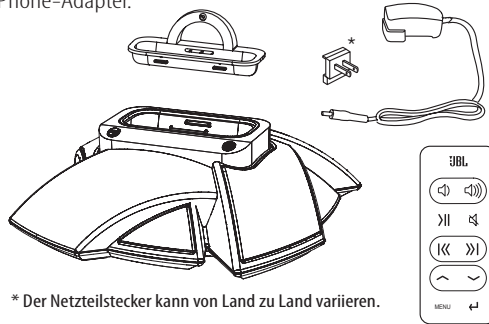
WARNUNG: Setzen Sie dieses Gerät keinem Regen oder Feuchtigkeit aus, um Stromschlag und/oder Feuer zu vermeiden.

HINWEIS:

NUR VON JBL GENEHMIGTE NETZTEILE VERWENDEN. Die Verwendung von Netzteilen Dritter kann das Gerät beschädigen und die Garantie ungültig werden lassen. Wichtiger Hinweis für alle elektronischen Geräte: Vor dem Abziehen der Audiokabel aus den Kopfhörer- oder Leitungspegel-Ausgangsbuchsen schaltet man am Besten erst das Gerät aus. Um die Lebensdauer des Gerätes zu verlängern, helfen Sie bitte mit, mögliche Schäden zu vermeiden, indem Sie das Gerät vor statischen Ladungen schützen.

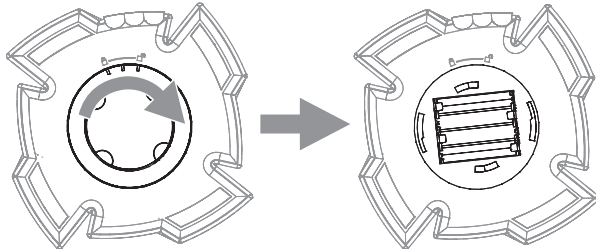
JBL ON STAGE® MICRO III – INBETRIEBNAHME

1. Packen Sie das Lautsprecherdock vorsichtig aus, und prüfen Sie, ob alle unten abgebildeten Komponenten im Lieferumfang enthalten sind: JBL On Stage® Micro III Lautsprecherdock, Netzteil, Fernbedienung und iPod/iPhone-Adapter.



* Der Netzteilstecker kann von Land zu Land variieren.

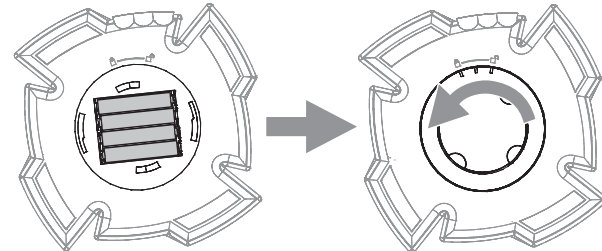
2. Drehen Sie die Batteriefach-Abdeckung bis die Markierung auf das offene Schloss zeigt und entfernen Sie diese.



3. Legen Sie vier AAA-Batterien ins Fach ein. Achten Sie bitte auf korrekte Polarität.

HINWEISE RUND UM DEN EINSATZ VON BATTERIEN:

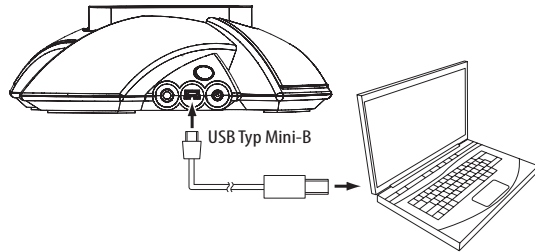
- Verwenden Sie wiederaufladbare Batterien (Akkus), sollten Sie diese vorher vollständig aufladen. Das JBL On Stage Micro III Lautsprecherdock kann Akkus nicht aufladen.
 - Verwenden Sie konventionelle Batterien, sollten Sie ihren Ladezustand vorher überprüfen.
 - Mischen Sie Akkus nicht mit handelsüblichen Batterien. Entscheiden Sie sich für eine der beiden Sorten.
 - Sind die Batterien zu schwach, leuchtet die Status-LED *gelb*.
4. Setzen Sie die Batteriefach-Abdeckung wieder ein und drehen Sie sie nach links bis sie arretiert (die Markierung zeigt auf das geschlossene Schloss).



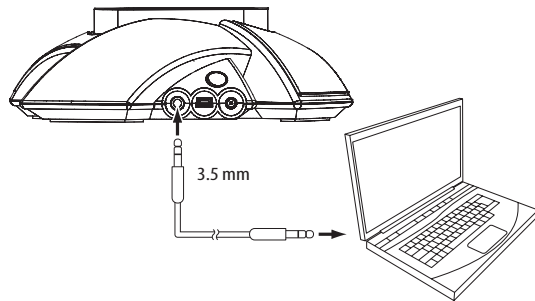
- Mischen sie keine batterien unterschiedlicher typen.
- Mischen sie keine geladenen und teilweise geladenen batterien.
- Batterien werden, so lange sie sich im jbl on stage micro ii befinden, nicht aufgeladen.

Achtung: legen sie die falschen batterien ein, können diese explodieren. Verbrauchte batterien müssen stets wie angegeben entsorgt werden.

5. Verbinden Sie das JBL On Stage Micro III Lautsprecherdock mit Ihrem Computer (Sie benötigen die iTunes Software). Das hierfür nötige Mini-B-USB-Kabel gehört nicht zum Lieferumfang.

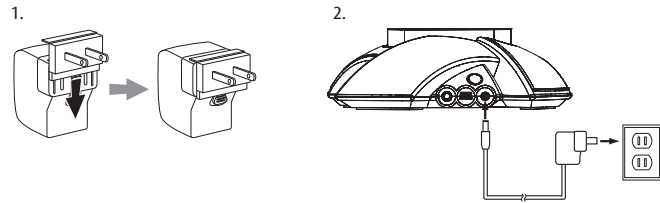


6. Für den Anschluss einer anderen externen Tonquelle ist das JBL On Stage Micro III mit einer 3,5-mm-Mini-Klinkenbuchse ausgestattet. Das dazu passende Kabel gehört nicht zum Lieferumfang.

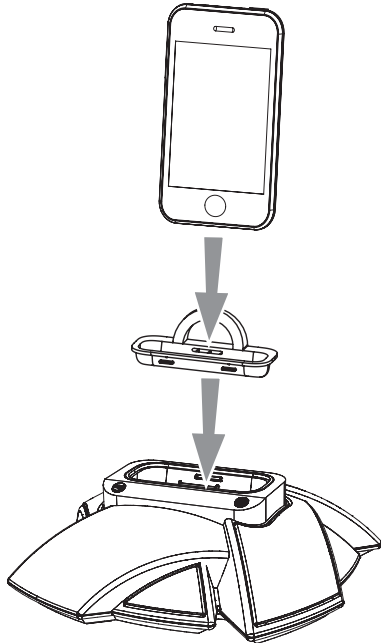


WICHTIG: Spielen sowohl das angedockte iPod/iPhone als auch eine mit dem Audio In-Eingang verbundene externe Tonquelle gleichzeitig, gibt das JBL On Stage Micro III eine Mischung beider Quellen wieder. Möchten Sie nur eine der beiden Quellen hören, müssen Sie die andere manuell abschalten.

7. Stecken Sie den Adapter auf das Netzteil. Sind mehrere im Lieferumfang enthalten, suchen Sie sich den passenden aus. Verbinden Sie das Netzteil mit der Buchse 6V DC am JBL On Stage Micro III. Stecken Sie anschließend das Netzteil in eine Strom führende Steckdose.

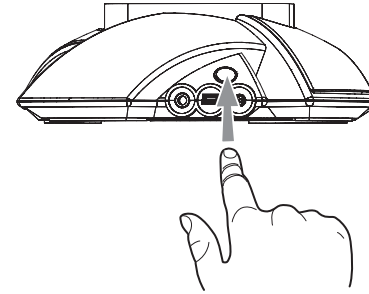


8. Setzen Sie den zu Ihrem iPod/iPhone passenden Docking-Adapter ein. Docken Sie Ihr iPod/iPhone an. Überprüfen Sie ob das iPod/iPhone richtig angedockt ist.

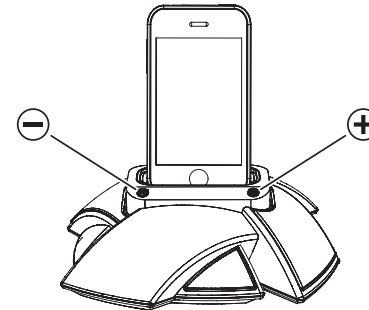


HINWEIS: Haben Sie zu Ihrem iPod oder iPhone einen Adapter von Apple bekommen, sollten Sie diesen nutzen.

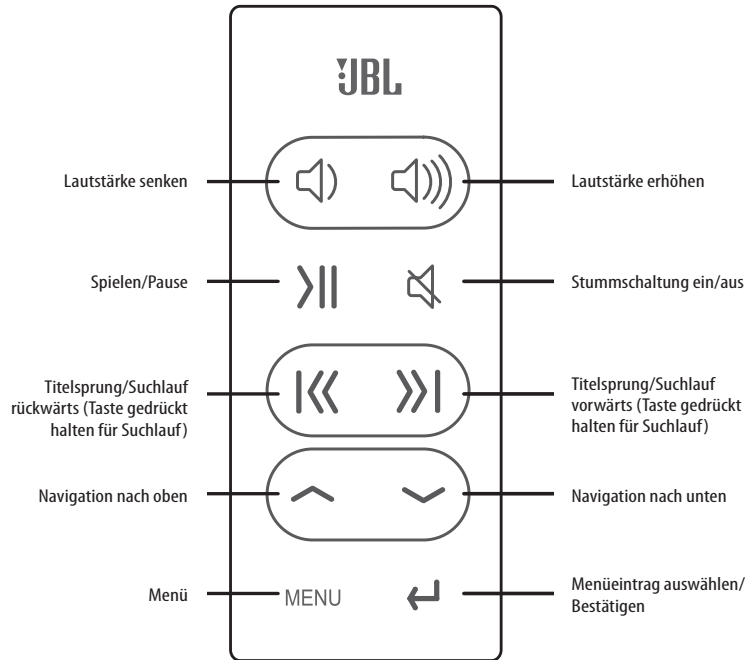
9. Drücken Sie auf die On/Off-Taste auf der Rückseite des JBL On Stage Micro III. Sobald das System betriebsbereit ist, leuchtet die Status-LED *weiß* auf.



10. Stellen Sie die Lautstärke mit den Tasten (+) und (-) ein. Drücken Sie auf beide Tasten gleichzeitig, um den Tonausgang stumm zu schalten. Betätigen Sie eine der beiden Tasten, um den Tonausgang wieder freizugeben.



FERNBEDIENUNG



HINWEIS: Sie müssen Ihr iPod/iPhone unter Umständen manuell in den Musik-Modus schalten, um das Gerät über das berührungssensitive Display im Navigationsmodus steuern zu können.

STATUS-LED

Ihr JBL On Stage Micro III zeigt den aktuellen Betriebszustand mithilfe seiner Status-LED in unterschiedlichen Farben an:

| Bedeutung der LED-Anzeige | Betriebszustand |
|---------------------------|--|
| Weiß – konstant | JBL On Stage Micro III ist aktiviert |
| Weiß – blinkt | Stummschaltung aktiviert |
| Gelb – konstant | Schwache Batterie |
| Gelb – blinkt | Stummschaltung aktiviert und schwache Batterie |
| LED leuchtet nicht | JBL On Stage Micro III im Standby-Modus oder ausgeschaltet |

MIT iTunes SYNCHRONISIEREN

HINWEIS: Bevor Sie Ihr iPod/iPhone mit iTunes synchronisieren, sollten Sie prüfen, ob das Gerät selbst und die Software auf Ihrem PC auf dem neuesten Stand sind.

Stellen Sie außerdem bitte sicher, dass das JBL On Stage Micro III per USB-Kabel mit dem PC verbunden ist.

1. Docken Sie Ihr iPod/iPhone an. Überprüfen Sie ob das iPod/iPhone richtig angedockt ist.
2. Verwenden Sie die iTunes-Software auf Ihrem PC/Laptop, um den PC mit Ihrem iPod/iPhone zu synchronisieren.
3. Sind alle Daten abgeglichen, können Sie das iPod/iPhone in iTunes auswerfen.

iPod/iPhone LADEN

Das JBL On Stage Micro III lädt den Akku des angedockten iPod/iPhone nur unter folgenden Voraussetzungen:

- Wenn das JBL On Stage Micro III Dock über das mitgelieferte Netzteil Strom bekommt
- Wenn das JBL On Stage Micro III per USB-Kabel mit einem Computer verbunden ist.

Der Akku Ihres angedockten iPod/iPhone wird NICHT geladen wenn das JBL On Stage Micro III auf Batterie läuft (es sei denn, es ist gleichzeitig per USB-Kabel mit dem Computer verbunden).

JBL ON STAGE MICRO III IM BEATTERIEBETRIEB

Haben Sie in Ihr JBL On Stage Micro III (wie auf *Seite 17* beschrieben) Batterien eingelegt, können Sie jederzeit das Netzteil vom Gerät trennen – es wird dann automatisch auf Batteriebetrieb umschalten.

In diesem Modus schaltet die Dockingstation selbständig auf Standby wenn 5 Minuten lang kein Musiksinal erkannt wird. Erreicht das Gerät wieder ein Signal, schaltet sich das System automatisch ein und die LED leuchtet auf.

Bezieht das JBL On Stage Micro III seinen Strom aus der Steckdose, schaltet es automatisch in den Stand-by-Modus, wenn es 10 Minuten lang kein Signal am Eingang erkennt. Sobald wieder Signal anliegt, schaltet sich das Gerät selbständig ein – zur Bestätigung leuchtet die LED auf.

Hinweise zum Batteriebetrieb:

- Das JBL On Stage Micro III Lautsprecherdock kann Akkus nicht aufladen.
- Der Akku Ihres angedockten iPod/iPhone wird NICHT geladen wenn das JBL On Stage Micro III auf Batterie läuft (es sei denn, es ist gleichzeitig per USB-Kabel mit dem Computer verbunden).

FEHLERBEHEBUNG

SYMPTOM

LÖSUNG

Kein Ton – die LED leuchtet nicht weiß:

- Stellen Sie bitte sicher, dass das Netzteil korrekt mit der Dockingstation verbunden ist und in einer Strom führenden Dose steckt.
- Verwenden Sie zur Stromversorgung Batterien, sollten Sie alle vier durch neue ersetzen. Sind die Batterien zu schwach, leuchtet die Status-LED gelb.
- Die Dockingstation befindet sich im Stromspar-Modus, weil sie 10 Minuten lang kein Signal empfangen hat.

Kein Ton – die LED leuchtet weiß:

- Tippen Sie auf die (+)-Taste, um die Lautstärke zu erhöhen.
- Verwenden Sie ein iPod/iPhone, sollten Sie prüfen, ob es korrekt angedockt ist.
- Verwenden Sie eine externe Tonquelle, sollten Sie prüfen, ob sie korrekt mit dem Audio In-Eingang verbunden ist.
- Stellen Sie bitte sicher, dass die Tonquelle nicht auf Pause und die Lautstärke nicht auf „0“ steht.

Tonwiedergabe ist verzerrt, rauscht oder knackt:

- Drehen Sie die Lautstärke des iPod/iPhone herunter.
- Stellen Sie sicher, dass die EQ-Einstellung am iPod auf „Aus“ steht.

Lautes Brummen oder Summen:

- Überprüfen Sie ob das Verbindungskabel richtig in der „Audio In“-Buchse sitzt.
 - Ersetzen Sie das Verbindungskabel zur externen Tonquelle.
 - Stecken Sie das Netzteil in eine andere Steckdose.
-

SYMPTOM**Die maximal mögliche Lautstärke ist zu gering:****Ton ist nur aus einem der Lautsprecher zu hören:****LÖSUNG**

- JBL On Stage Micro III befindet sich im Standby-Modus oder ist ausgeschaltet. Benutzen Sie das mitgelieferte Netzteil – es bietet mehr Leistung als die Batterien.
- Stellen Sie bitte sicher, dass Ihr iPod/iPhone korrekt angedockt ist und fest auf dem Stecker sitzt.
- Überprüfen Sie ob das Verbindungskabel richtig in der „Audio In“-Buchse sitzt.
- Stellen Sie sicher, dass Sie ein Stereo-Kabel für die Verbindung zur externen Tonquelle verwenden.

TECHNISCHE DATEN

| | |
|-----------------------|--|
| Kompatibilität: | Docking-Version des iPod (einschließlich iPod nano der 5. Generation, iPod touch der 2. Generation, iPod nano der 4. Generation, iPod classic, iPod touch der 1. Generation, iPod nano der 3. Generation, iPod nano der 2. Generation, iPod der 5. Generation, iPhone 4GB, 8GB, 16GB, iPhone 3G 8GB, 16GB, iPhone 3GS 16GB, 32GB) MP3- und CD-Player, Desktop- und Notebook-Computer (alle Systemplattformen). |
| Chassis: | 2 x 25 mm (1") große JBL Odyssey™ Vollbereichswandler |
| Ausgangsleistung: | 2 x 2 Watt |
| Frequenzbereich: | 110 Hz – 20 kHz |
| Rauschabstand: | 63 dB |
| Nennimpedanz (AUX): | 3 kOhm |
| Eingänge: | Hauptanschluss: iPod Docking-Schnittstelle; Reserve-Anschluss: 3,5 mm Mini-Klinkenbuchse (Stereo) |
| Verwendete Batterien: | 4 x AAA (NiMH oder Alkaline) |
| Strombedarf: | 6 V Gleichspannung, 1,5 A |
| Leistungsaufnahme: | 10 Watt (maximal) |
| Maße (T x B x H): | 168mm x 168mm x 54mm (6-5/8" x 6-5/8" x 2-1/4") |
| Gewicht: | 0.36 kg (0.8 lb) |
| Gehäuseausführungen: | Schwarz, Weiß |



HARMAN Harman Consumer, Inc.
8500 Balboa Boulevard, Northridge, CA 91329 USA

www.JBL.com

© 2010 Harman International Industries, Incorporated. Alle Rechte vorbehalten.

Alle Leistungsmerkmale und Spezifikationen sowie das mechanische Design können sich ohne vorherige Ankündigung ändern.

JBL ist eine Marke von Harman International Industries, Incorporated, eingetragen in den USA und/oder anderen Ländern. Odyssey ist eine Marke von Harman International Industries, Incorporated.

*Die Verwendung des Warenzeichens On Stage erfolgt mit Genehmigung durch OSA International Inc.

iPhone, iPod touch, iPod classic, iPod nano, und iTunes sind Handelsmarken von Apple Inc., eingetragen in den Vereinigten Staaten und anderen Ländern. iPod/iPhone nicht im Lieferumfang enthalten.

Die Logos „Made for iPod“ und „Made for iPhone“ kennzeichnen Zubehör, das speziell für den Einsatz mit einem Apple iPod respektive iPhone konstruiert wurde und den hohen Leistungsstandards von Apple entspricht. Apple übernimmt keine Verantwortung für die Funktion dieses Produkts sowie dessen Konformität mit landesspezifischen Sicherheitsrichtlinien.

JBL ON STAGE^{®*} MICRO III

Station d'accueil/enceinte portable pour iPod/iPhone



iPod/iPhone non inclus



MANUEL D'UTILISATION

IMPORTANTES INSTRUCTIONS DE SÉCURITÉ

1. Lisez attentivement ces instructions.
2. Conservez ces instructions en lieu sûr.
3. Respectez tous les avertissements.
4. Suivez toutes les instructions.
5. N'utilisez pas cet appareil à proximité de l'eau.
6. Nettoyez-le uniquement avec un chiffon sec.
7. N'obstruez pas les orifices de ventilation. Installez-le conformément aux instructions du fabricant.
8. N'installez pas l'appareil à proximité d'une source de chaleur comme un radiateur, une bouche d'air chaud, un four ou d'autres appareils (y compris des amplificateurs) producteurs de chaleur.
9. Respectez le dispositif de sécurité de la fiche polarisée ou avec prise de terre. Une fiche polarisée dispose de deux broches dont l'une est plus large que l'autre. Une fiche avec prise de terre dispose de deux broches et d'une troisième pointe de mise à la terre. La broche plus large ou la troisième pointe est conçue pour votre sécurité. Si la fiche fournie ne s'insère pas dans votre prise secteur, consultez un électricien pour le remplacement de la prise obsolète.
10. Évitez de marcher sur le cordon d'alimentation ou de le pincer, notamment au niveau des fiches, des prises et à l'endroit où il sort de l'appareil.
11. Utilisez uniquement des fixations/accessoires agréés par le fabricant.
12. Utilisez uniquement le chariot, le socle, le tripode, la fixation ou le plateau spécifié par le fabricant ou vendu avec l'appareil. Lors de l'utilisation d'un chariot, soyez prudent pendant le déplacement de l'ensemble chariot/appareil pour éviter d'être blessé lors d'un renversement accidentel.
13. Débranchez cet appareil pendant les orages ou en cas de non-utilisation prolongée.



14. Adressez-vous à du personnel qualifié pour les réparations. Il est nécessaire de réparer l'appareil lorsqu'il a été endommagé de quelque manière que ce soit, notamment si la fiche ou le cordon d'alimentation est endommagé, si du liquide a été renversé dessus, si des objets sont tombés à l'intérieur de l'appareil, s'il a été exposé à la pluie ou à l'humidité, s'il ne fonctionne pas correctement ou s'il est tombé.
15. L'appareil ne doit pas être exposé au ruissellement ou aux éclaboussures et aucun objet rempli de liquide, tel qu'un vase, ne doit être placé sur l'appareil.
16. Pour déconnecter totalement cet appareil du secteur, débranchez la fiche du cordon d'alimentation de la prise murale.
17. La fiche du cordon d'alimentation doit rester facilement accessible.
18. Les piles ne doivent pas être exposées à une chaleur excessive comme les rayons du soleil, un feu ou similaire.

Le symbole de l'éclair fêché dans un triangle équilatéral est utilisé pour alerter l'utilisateur de la présence d'une «tension dangereuse» non isolée à l'intérieur du boîtier du produit, et qui peut être suffisamment importante pour constituer un risque d'électrocution.



Le symbole du point d'exclamation dans un triangle équilatéral est utilisé pour alerter l'utilisateur de la présence d'instructions importantes de maintenance et de réparation dans la documentation jointe au produit.



AVERTISSEMENT: pour réduire les risques d'incendie ou de choc électrique, n'exposez pas cet appareil à la pluie ou l'humidité.

RÉGLEMENTATION DE LA FCC

DÉCLARATION DE CONFORMITÉ DE LA FCC

Cet appareil est conforme à l'article 15 de la Réglementation de la FCC. Son utilisation est soumise aux deux conditions suivantes : (1) cet appareil ne doit pas provoquer d'interférence nuisible ; et (2) cet appareil doit accepter toutes les interférences reçues, y compris celles qui peuvent entraîner un fonctionnement indésirable.

INTERFÉRENCES RADIO ET DE TÉLÉVISION

Cet équipement a été testé et déclaré conforme aux limites d'un appareil numérique de Classe B, en vertu de l'article 15 des Règlements de la FCC. Ces limites sont destinées à fournir une protection raisonnable contre des interférences nuisibles dans une installation résidentielle. Cet équipement génère, utilise et peut diffuser une énergie de fréquence radio, s'il n'est pas installé et utilisé conformément aux instructions, il peut provoquer des interférences nuisibles à des communications radio. Toutefois, il n'y a aucune garantie que ces interférences ne se produiront pas dans une installation particulière. Si cet équipement ne provoque pas d'interférence à la réception radio ou de télévision, ce qui peut être déterminé en allumant puis en éteignant l'équipement, l'utilisateur est encouragé à essayer de corriger les interférences en prenant une ou plusieurs des mesures suivantes :

- augmenter la distance qui sépare l'équipement du récepteur ;
- brancher l'équipement à une prise secteur différente pour que l'équipement et le récepteur soient sur des circuits de branchement différents ;
- demander de l'aide au vendeur ou à un technicien radio/TV compétent. Les changements ou modifications n'ayant pas été expressément autorisés par JBL, Inc., pourraient annuler le droit de l'utilisateur de faire fonctionner l'équipement.

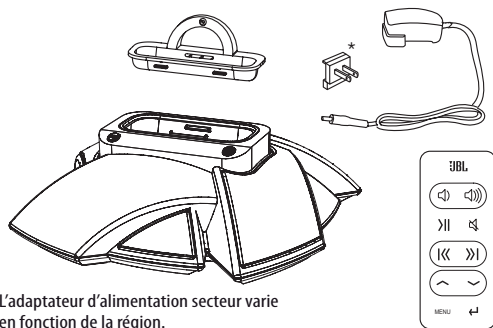
DÉCLARATION ET AVERTISSEMENT D'INDUSTRIE CANADA

This Class B digital apparatus complies with Canadian ICES-003. Cet appareil numérique de la classe B est conforme à la norme NMB-003 du Canada

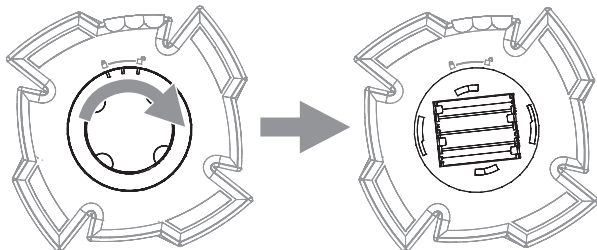
REMARQUE IMPORTANTE CONCERNANT TOUS LES PRODUITS ÉLECTRONIQUES: Il est recommandé d'éteindre l'appareil avant de brancher ou de débrancher les câbles audio des prises d'écouteurs ou de sortie de ligne de la source sonore. Ceci prolongera la durée de vie de votre appareil, contribuera à le protéger contre l'électricité statique et évitera des dommages possibles.

GUIDE DE CONFIGURATION FACILE DU JBL ON STAGE** MICRO III

1. Déballiez soigneusement la station d'accueil et vérifiez que tous les éléments indiqués ici sont inclus : station d'accueil JBL On Stage** Micro III, alimentation électrique, télécommande et adaptateur iPod/iPhone.



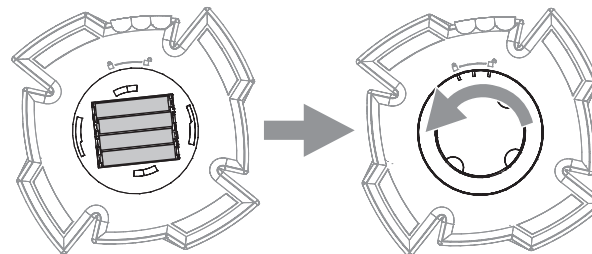
2. Faites pivoter le couvercle du compartiment des piles jusqu'à la position débloquée et retirez-le.



3. Insérez quatre piles AAA dans le compartiment. Respectez la polarité des piles qui est indiquée à l'intérieur du compartiment.

REMARQUES SUR L'UTILISATION DES PILES :

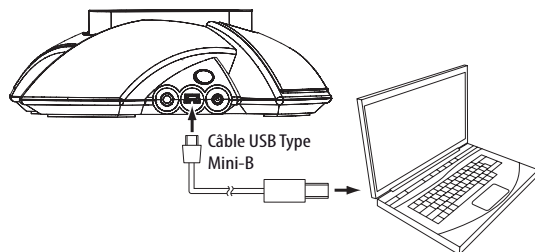
- Si vous utilisez des piles rechargeables, veillez à ce qu'elles soient complètement chargées avant de les insérer. Le JBL On Stage Micro III ne charge pas les piles rechargeables.
 - Si vous utilisez des piles conventionnelles, veillez à ce qu'elles soient toutes neuves.
 - Ne mélangez pas des piles rechargeables et des piles conventionnelles. N'utilisez que des piles d'un type ou de l'autre type.
 - La DEL du statut s'allume en ambre lorsqu'il faut remplacer les piles.
4. Remplacez le couvercle des piles et faites-le pivoter jusqu'à la position bloquée.



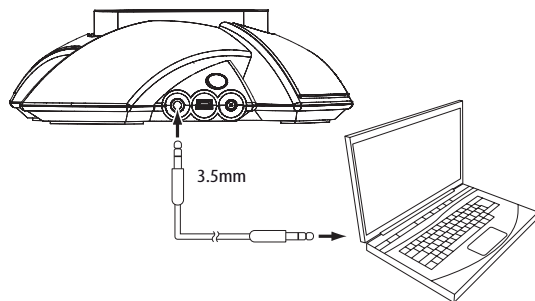
- Ne mélangez pas des piles de types différents.
- Ne mélangez pas des piles chargées et des piles partiellement chargées.
- Les piles ne seront pas rechargées lorsqu'elles sont dans ce produit.

Attention : si les piles ne sont pas correctement remplacées, elles risquent d'exploser. Mettez au rebut les piles usagées conformément aux instructions.

5. Connectez un câble USB de type mini-B (non fourni) au port USB du JBL On Stage Micro III et à un port USB de l'ordinateur sur lequel se trouve iTunes.



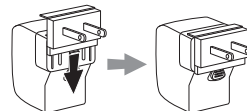
6. Si vous voulez utiliser votre JBL On Stage Micro III avec une autre source, branchez une extrémité d'un câble stéréo de 3,5mm (non fourni) sur le connecteur Audio In, et branchez l'autre extrémité sur la sortie audio de la source ou le connecteur de sortie du casque.



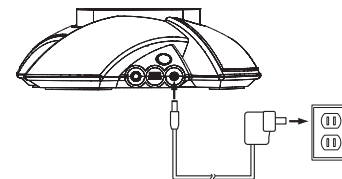
IMPORTANT: si vous écoutez votre iPod/iPhone sur une station d'accueil, et qu'une autre source est connectée en même temps, vous entendrez les deux sorties mélangées à travers le JBL On Stage Micro III. Si vous ne voulez écouter qu'une seule source, vous devez éteindre manuellement la source que vous ne désirez pas entendre.

7. Insérez l'adaptateur d'alimentation secteur inclus complètement sur l'alimentation électrique (s'il y a plusieurs adaptateurs, utilisez celui qui correspond à votre région). Puis connectez l'alimentation électrique sur le connecteur d'entrée 6V CD du JBL On Stage Micro III et branchez-la sur une prise électrique murale.

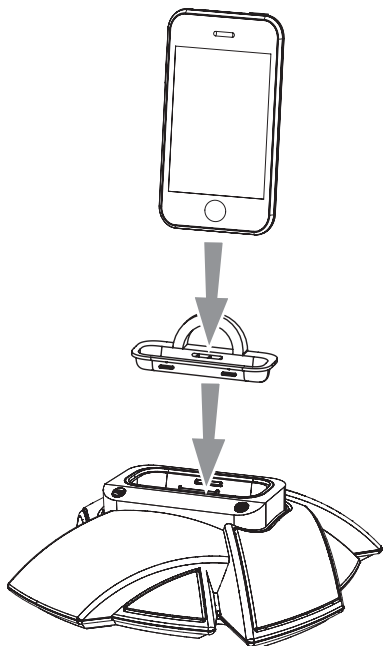
1.



2.

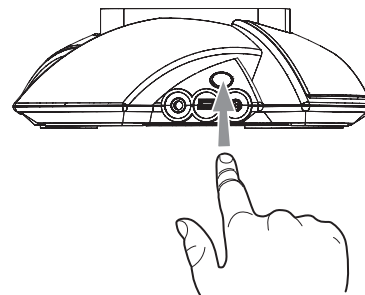


8. Placez l'adaptateur iPod/iPhone appropriée dans le JBL On Stage Micro III et placez votre iPod/iPhone sur le connecteur de la station. Veillez à ce que l'iPod/iPhone soit parfaitement inséré sur le connecteur.

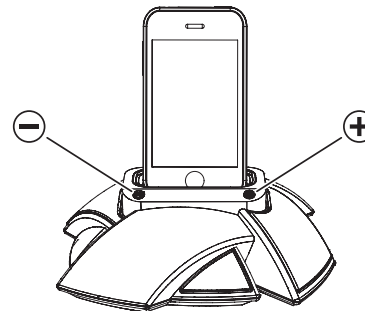


REMARQUE : si applicable, utilisez l'adaptateur fourni avec l'iPod ou l'iPhone.

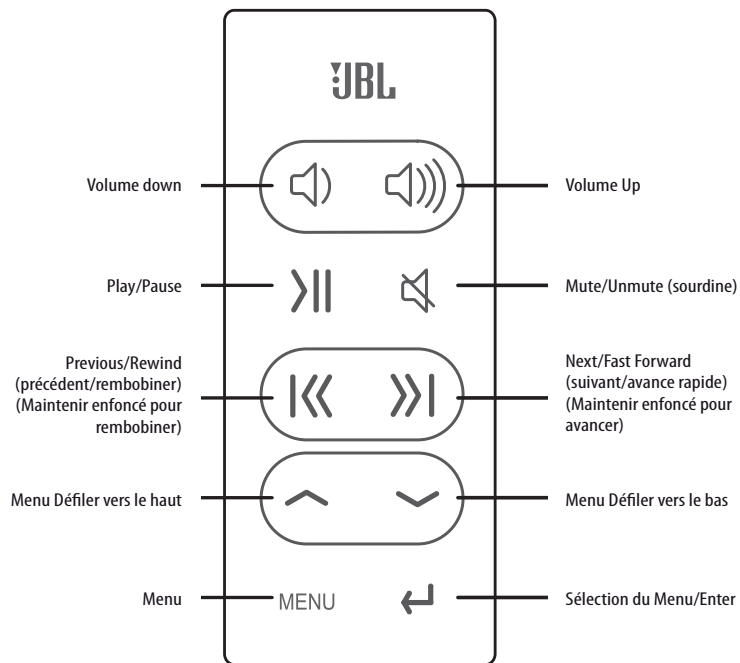
9. Appuyez sur la touche on/off du JBL On Stage Micro III. La DEL de l'appareil s'allume en *blanc* lorsque le système est actif.



10. Réglez le volume à l'aide des touches (+) et (-). Appuyez sur les deux touches pour couper le son, appuyez sur l'une des touches pour remettre le son.



TOUCHES DE LA TELECOMMANDE



REMARQUE : la touche iPod et le menu de navigation iPhone peuvent vous demander de configurer manuellement l'iPod/iPhone en mode Musique.

STATUT DEL

La DEL de votre JBL On Stage Micro III affiche différentes couleurs pour indiquer le statut de l'appareil :

| AFFICHAGE DE LA LED | STATUT |
|---------------------|--|
| Blanc – Constant | JBL On Stage Micro III est actif |
| Blanc – Clignotant | JBL On Stage Micro III est muet |
| Ambre – Constant | Piles basses |
| Ambre – Clignotant | JBL On Stage Micro III est muet avec piles faibles |
| Aucune DEL | JBL On Stage Micro III est en veille ou éteint |

SYNCHRONISATION AVEC iTunes

REMARQUE : avant de synchroniser votre iPod/iPhone avec iTunes, vérifiez que votre iPod/iPhone et votre iTunes sont mis à jour avec la toute dernière version du logiciel.

De même, vérifiez que le port USB du JBL On Stage Micro III est connecté à l'ordinateur sur lequel se trouve votre iTunes.

1. Placez votre iPod/iPhone sur le connecteur de station du JBL On Stage Micro III. Veillez à ce que l'iPod/iPhone soit parfaitement inséré sur le connecteur.
2. Utilisez le logiciel iTunes de votre ordinateur afin de synchroniser l'iPod/iPhone avec iTunes.
3. Lorsque la synchronisation est terminée, éjectez l'iPod/iPhone d'iTunes.

Chargement d' iPod/iPhone

Le JBL On Stage Micro III charge un iPod/iPhone via la station d'accueil dans les conditions suivantes :

- Lorsque le JBL On Stage Micro III est alimenté par son adaptateur secteur
- Lorsque le JBL On Stage Micro III est connecté à un ordinateur via un câble USB

Le JBL On Stage Micro III ne charge pas un iPod/iPhone via la station d'accueil lorsqu'il est alimenté par les piles sauf s'il est connecté à un ordinateur via un câble USB.

FONCTIONNEMENT DU JBL ON STAGE MICRO III SUR ALIMENTATION PAR PILES

Si vous avez inséré des piles comme expliqué à l'*Etape 3 du Guide de configuration facile du JBL On Stage Micro III*, à la page 29, vous pouvez débrancher l'adaptateur secteur du JBL On Stage Micro III qui pourra être utilisé sur les piles.

Pendant qu'il fonctionne sur piles, le JBL On Stage Micro III passera automatiquement en mode Veille dès que le système ne détecte aucun signal audio pendant 5 minutes. S'il détecte un signal audio, le système reprendra son fonctionnement normal et la DEL s'allumera.

Sur alimentation secteur, le JBL On Stage Micro III se met automatiquement en mode veille au bout de 10 minutes d'absence d'activité. Comme indiqué ci-dessus, il se remet en marche dès qu'un signal audio est détecté, et le voyant se rallume.

Remarques sur le fonctionnement sur piles:

- Le JBL On Stage Micro III ne charge pas les piles rechargeables.
- Le JBL On Stage Micro III ne charge pas un iPod/iPhone via la station d'accueil lorsqu'il est alimenté par les piles sauf s'il est connecté à un ordinateur via un câble USB.

DEPANNAGE DE VOTRE JBL ON STAGE MICRO III

| PROBLEME | SOLUTION |
|---|---|
| Aucun son (la DEL blanche est éteinte) : | <ul style="list-style-type: none">• Vérifiez que l'alimentation électrique est correctement connectée sur le JBL On Stage Micro III et sur une prise murale qui fonctionne.• Si vous utilisez l'alimentation sur piles, remplacez les 4 piles à la fois par des nouvelles piles rechargeables jetables et chargées. La DEL s'allume en ambre si les piles doivent être remplacées.• Le JBL On Stage Micro III est en mode économie d'énergie (aucun son n'a été détecté pendant au moins 10 minutes). |
| Aucun son (la DEL blanche est allumée) : | <ul style="list-style-type: none">• Réglez la touche Volume Up (+) pour augmenter le volume.• Si vous utilisez un iPod/iPhone, vérifiez qu'il est correctement installé sur le JBL On Stage Micro III.• Si vous utilisez une source auxiliaire, vérifiez que le câble audio est correctement branché sur le connecteur d'entrée audio du JBL On Stage Micro III et sur la sortie audio du composant de la source• Vérifiez que l'iPod ou le composant source n'est pas en mode Pause, et que le contrôle du volume n'est pas réglé au minimum. |
| Le son craque, siffle ou est déformé : | <ul style="list-style-type: none">• Baissez le volume de l'iPod ou du composant source.• Vérifiez que le paramètre EQ de l'iPod est réglé sur "Off" |
| Bruit sourd ou bourdonnement : | <ul style="list-style-type: none">• Vérifiez que le câble audio est branché complètement sur la fiche entrée audio.• Remplacez le câble audio.• Débranchez la prise électrique et branchez-la sur une autre prise murale. |

PROBLEME**SOLUTION****Niveau maximum du volume est bas :**

- Le JBL On Stage Micro III est en mode économie d'énergie (BCM). Passez sur l'alimentation secteur pour améliorer la performance.

Le son provient d'un seul haut-parleur :

- Vérifiez que l'iPod/iPhone est correctement installé sur le connecteur de chargement.
- Vérifiez que le câble audio est branché complètement sur la fiche entrée audio.
- Vérifiez que le câble audio est un câble stéréo.

CARACTERISTIQUES TECHNIQUES

| | |
|---------------------------|---|
| Compatibilité : | iPod et iPhone (y compris la 5ème génération des iPod nano, la 2d génération des iPod touch, la 4ème génération des iPod nano, l'iPod classic, la 1ère génération des iPod touch, la 3ème génération des iPod nano, la 2d génération des iPod nano, la 5ème génération des iPod, iPhone 4Go, 8Go, 16Go, iPhone 3G 8Go, 16Go, iPhone 3GS 16Go, 32Go), les lecteurs MP3 et CD, les ordinateurs de bureau et les ordinateurs portables (toutes les plate-formes) |
| Transducteurs : | Gamme complète 2 x 1" JBL Odyssey™ |
| Puissance: | 2 x 2 watts |
| Réponse en fréquence: | 110Hz – 20kHz |
| Rapport signal-bruit: | 63dB |
| Impédance d'entrée(Aux): | 3k ohms |
| Connexions d'entrée : | Connexion principale – connecteur de station d'accueil iPod et iPhone ; connexion d'entrée auxiliaire – mini fiche stéréo 3,5mm (1/8") |
| Exigences des piles : | 4 x AAA, NiMh ou alcaline |
| Exigence de puissance : | 6V DC, 1.5A |
| Consommation électrique : | 10W (maximum) |
| Dimensions (P x L x H): | 168mm x 168mm x 54mm (6-5/8" x 6-5/8" x 2-1/4") |
| Poids: | 0.36kg (0.8 lb) |
| Finitions disponibles : | noir, blanc |



FRANÇAIS



Harman Consumer, Inc.
8500 Balboa Boulevard, Northridge, CA 91329 USA

www.JBL.com

© 2010 Harman International Industries, Incorporated. Tous droits réservés.

Les fonctionnalités, les spécifications et l'aspect du produit peuvent être modifiés sans préavis.

JBL est une marque commerciale de Harman International Industries, Incorporated, déposée aux États-Unis et dans d'autres pays. Odyssey est une marque commerciale de Harman International Industries, Incorporated.

*La marque commerciale On Stage est employée avec la permission d'OSA International, Inc.

iPhone, iPod touch, iPod Classic, iPod nano et iTunes sont des marques déposées Apple Inc., déposée aux États-Unis et dans d'autres pays. iPod/iPhone non inclus.

« Made for iPod » et « Made for iPhone » signifie que le dispositif électronique a été spécialement conçu pour se connecter à l'iPod et l'iPhone et qu'il est certifié par le développeur comme conforme aux normes de performance Apple. Apple n'est pas responsable du fonctionnement de ce dispositif ou de sa conformité avec les normes de sécurité ou réglementaires.

JBL ON STAGE^{®*} MICRO III

Base de altavoces para iPod/iPhone



Made for
iPod iPhone

iPod/iPhone no incluido.

MANUAL DEL USUARIO

IMPORTANTES MEDIDAS DE SEGURIDAD

1. Lea estas instrucciones.
2. Guarde estas instrucciones.
3. Siga todos los consejos y tome las precauciones mencionadas.
4. Siga las instrucciones.
5. No utilice este aparato cerca del agua.
6. Limpie la unidad sólo con un paño seco.
7. No bloquee ninguna de las aberturas de ventilación. Instale la unidad de acuerdo con las instrucciones del fabricante.
8. No instale la unidad cerca de dispositivos como radiadores, calefactores, estufas u otros dispositivos que disipen calor (incluyendo amplificadores).
9. No deshabilite las funciones de polaridad y toma de tierra de los conectores de corriente. Un conector con polaridad dispone de dos conductores, uno de mayor tamaño que el otro. Un conector con toma de tierra dispone de dos conductores y un tercer conductor de tierra. El tercer conductor se utiliza para su seguridad. Si el conector de corriente suministrado no se adapta a su toma de corriente local, consulte a un electricista para que realice la sustitución correspondiente.
10. Evite que el cable de corriente reciba pisotones, golpes o tirones, especialmente en sus conectores y en su salida de la unidad.
11. Utilice sólo anexos y accesorios especificados por el fabricante.
12. Utilice la unidad sólo con el soporte, trípode, carrito o superficie vendidos con la unidad o especificados por el fabricante. Si utiliza un carrito, realice los movimientos de transporte con cuidado para evitar cualquier daño a la unidad.



13. Desconecte la unidad durante tormentas eléctricas y períodos largos de tiempo de no utilización.
14. Diríjase a personal cualificado especializado para cualquier servicio que requiera la unidad. La unidad requerirá servicio técnico cuando el cable o conector de corriente se hayan dañado, algún objeto o líquido haya caído en su interior o la unidad haya sido expuesta a la lluvia o la humedad. También requerirá servicio técnico cuando la unidad no funcione correctamente o haya recibido algún golpe.
15. No exponga la unidad a circunstancias de contacto con el agua, y asegúrese de no colocar vasos o recipientes llenos de líquido sobre la unidad.
16. Para desconectar completamente el aparato de la corriente AC, desconecte el cable de corriente del conector AC de la unidad.
17. El conector del cable de corriente deberá quedar potencialmente operativo.
18. No exponga las baterías a circunstancias de calor excesivo o fuego.



El símbolo de una flecha en el interior de un triángulo equilátero alerta al usuario de la presencia de 'voltaje peligroso' sin aislar en el interior del recinto de la unidad. Dicho voltaje puede ser de suficiente magnitud como para constituir un riesgo de descarga eléctrica.



El símbolo de una exclamación en el interior de un triángulo equilátero alerta al usuario de la presencia de importantes instrucciones de mantenimiento y operación.

PRECAUCIÓN: para reducir el riesgo de incendio o descarga eléctrica, no exponga este aparato a la lluvia o la humedad.

REGULACIONES DE LA FCC

DECLARACIÓN DE CONFORMIDAD CON LA FCC

Este aparato cumple con la Parte 15 de las Normas de la FCC. El funcionamiento está sujeto a las dos condiciones siguientes: (1) Este aparato no puede causar interferencia dañina, y (2) este aparato debe aceptar cualquier interferencia que reciba, incluso la interferencia que pueda ocasionar funcionamiento indeseado.

INTERFERENCIA DE RADIO Y TELEVISIÓN

Este equipo ha sido probado y cumple con los límites para aparatos digitales de Clase B, de conformidad con la Parte 15 de las Normas de la FCC. Estos límites están diseñados para ofrecer una protección razonable contra interferencia perjudicial en una instalación residencial. Este equipo genera, utiliza y puede emitir potencia de radiofrecuencia y, si no se instala y se utiliza de acuerdo con las instrucciones, puede ocasionar interferencia perjudicial a las comunicaciones de radio. Sin embargo, no existe garantía de que no ocurrirá interferencia en una instalación en particular. Si este equipo no causa interferencia a la recepción de radio o televisión, la cual puede determinarse encendiendo y apagando el equipo, se alienta al usuario a que intente corregir la interferencia de alguna de las siguientes formas:

- Aumente la separación entre el equipo y el receptor.
- Conecte el equipo a una toma de corriente distinta de manera que el equipo y el receptor queden en diferentes circuitos derivados.
- Consulte al vendedor o a un técnico de radio/TV con experiencia.

DECLARACIÓN Y ADVERTENCIA DE IC

(SIGLAS EN INGLÉS Y FRANCÉS DEL DEPARTAMENTO DE INDUSTRIA CANADIENSE)

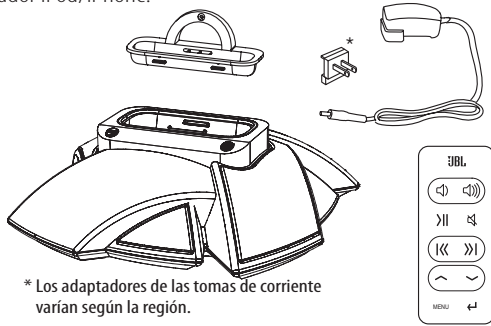
Declaración de Industria Canada: Este aparato digital Clase B cumple con la norma canadiense ICES-003.

NOTA IMPORTANTE PARA TODOS LOS PRODUCTOS ELECTRÓNICOS:

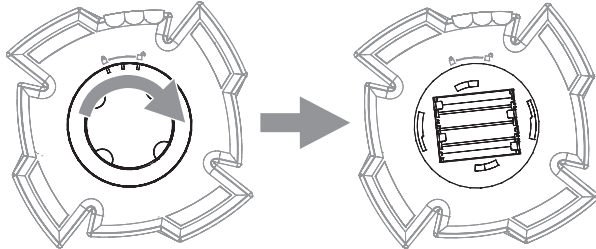
Antes de introducir o desconectar cables de sonido de los auriculares del dispositivo fuente o clavijas de salida de nivel de línea, es una buena práctica apagar el dispositivo primero. Esto prolongará la vida de su unidad, ayudará a proteger el dispositivo de la electricidad estática y prevendrá posibles daños.

GUÍA DE CONFIGURACIÓN RÁPIDA DEL JBL ON STAGE** MICRO III

1. Saque con cuidado la base de altavoces del paquete y confirme que están incluidos todos los elementos que se indican: Base de altavoces JBL On Stage** Micro III, fuente de alimentación eléctrica, mando a distancia y adaptador iPod/iPhone.



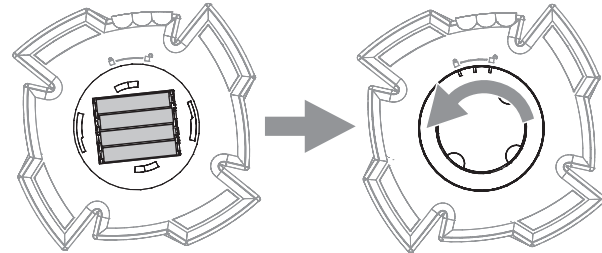
2. Gire la puerta de las pilas hasta que quede suelta y quítela.



3. Coloque cuatro pilas AAA en el compartimiento. Observe que la polaridad de las pilas sea la indicada en el interior del compartimiento.

NOTAS SOBRE EL USO DE LAS PILAS:

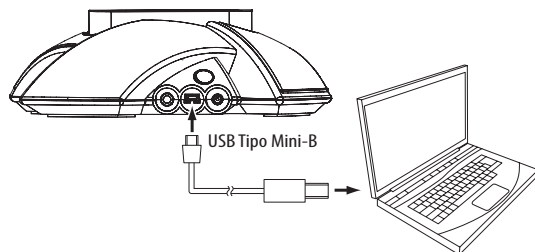
- Si está usando pilas recargables, compruebe que están totalmente cargadas antes de colocarlas. El JBL On Stage Micro III no cargará pilas recargables.
 - Si está usando pilas convencionales, asegúrese de que son nuevas.
 - No use una combinación de pilas recargables y convencionales. Úselas todas de un tipo o del otro.
 - El LED de estado se iluminará en *ámbar* cuando necesite cambiar las pilas.
4. Vuelva a colocar la puerta de las pilas y gírela hasta que quede bien cerrada.



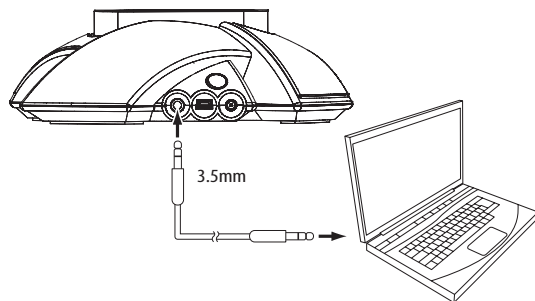
- No mezcle distintos tipos de pilas.
- No mezcle pilas nuevas con pilas medio usadas.
- Las pilas no se recargarán dentro del JBL On Stage Micro III.

Precaución: riesgo de explosión si se sustituye la pila por un tipo de pila inadecuado. Deseche las pilas utilizadas siguiendo las instrucciones.

5. Conecte un cable USB tipo Mini-B (no incluido) al puerto USB del JBL On Stage Micro III y a un puerto USB del PC donde tenga el programa iTunes.



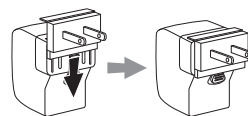
6. Si va a utilizar su JBL On Stage Micro III con otra fuente de audio, conecte un extremo de un cable estéreo de 3,5mm (no incluido) en el conector de entrada de Audio, y el otro extremo en la salida de audio de la fuente o en el conector de salida para auriculares.



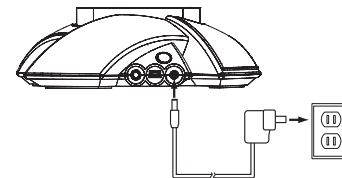
IMPORTANTE: Si reproduce simultáneamente audio a través de un iPod/iPhone conectado en la base y por una fuente de audio conectada a la entrada de audio, oírás ambas fuentes mezcladas por los altavoces del JBL On Stage Micro III. Para oír sólo una fuente necesitará desconectar manualmente la fuente que no desee escuchar.

7. Introduzca completamente el adaptador para el enchufe incluido en la fuente de alimentación eléctrica (si hay más de un adaptador, use el correcto para su región). Entonces conecte la fuente de alimentación en el conector de entrada 6V CC del JBL On Stage Micro III y enchúfela en una toma de corriente.

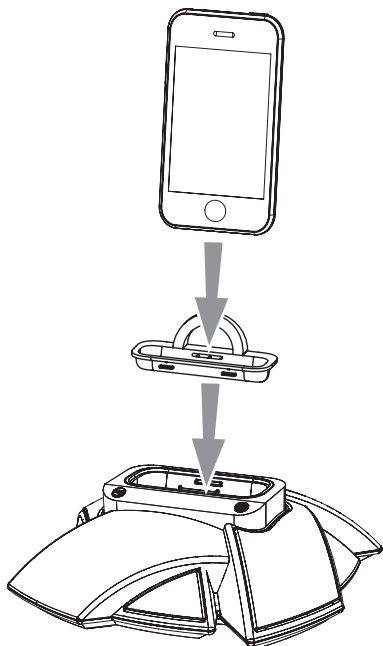
1.



2.

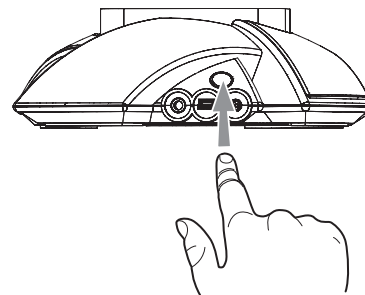


- Coloque el adaptador iPod/iPhone apropiado en el receptáculo del JBL On Stage Micro III y coloque su iPod/iPhone sobre el conector de la base. Compruebe que el iPod/iPhone está completamente introducido en el conector.

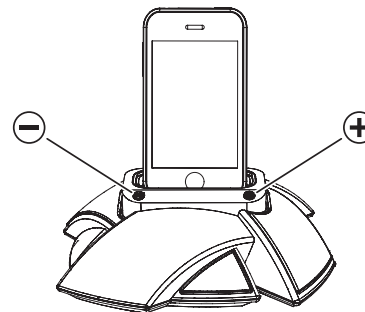


NOTA: Si es necesario, use el adaptador suministrado con su iPod o iPhone.

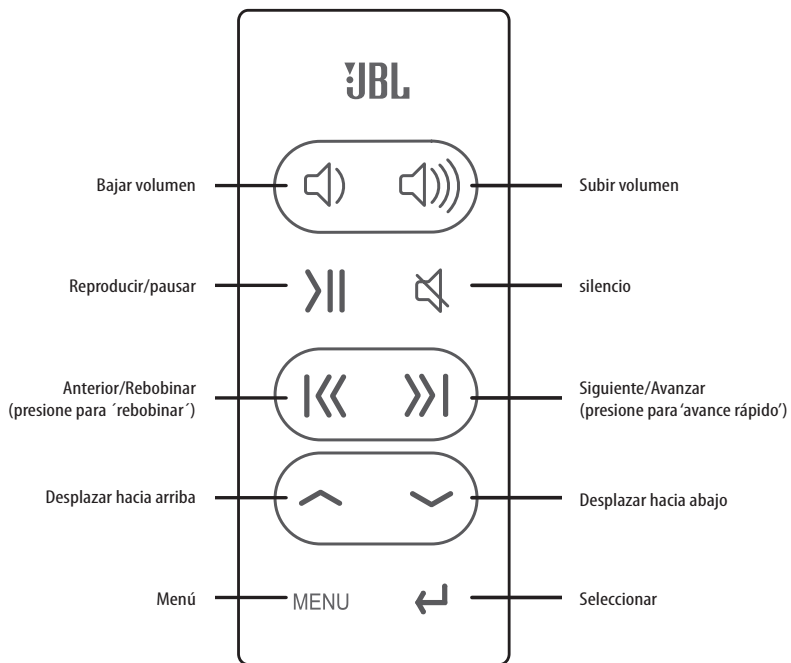
- Pulse el botón de encendido del JBL On Stage Micro III. El LED de estado de la unidad se iluminará en blanco cuando el sistema está activado.



- Ajuste el volumen usando los botones (+) y (-). Presione ambos botones para enmudecer el sonido; vuelva a pulsar ambos botones para recuperarlo.



BOTONES DEL MANDO A DISTANCIA



NOTA: Es posible que el menú de navegación de iPhone e iPod Touch requiera que el usuario ponga el iPhone/iPod en modo de música.

LED DE ESTADO

El LED de su JBL On Stage Micro III puede iluminarse en diferentes colores para indicar el estado de la unidad:

| Presentación del led | Estado |
|----------------------|--|
| Blanco – Fijo | El JBL On Stage Micro III está encendido |
| Blanco – Parpadeando | El JBL On Stage Micro III está silenciado |
| Ámbar – Fijo | Batería baja |
| Ámbar – Parpadeando | El JBL On Stage Micro III está silenciado y con batería baja |
| LED Apagado | JBL On Stage Micro III en Standby o apagado |

SINCRONIZAR CON iTunes

NOTA: Antes de intentar sincronizar su iPod/iPhone con iTunes, compruebe que tanto su iPod/iPhone como el iTunes están actualizados con la última versión de software.

Antes de intentar la sincronización, compruebe que el puerto USB del JBL On Stage Micro III está conectado al PC que tiene instalado el iTunes.

1. Coloque su iPod/iPhone sobre el conector de la base JBL On Stage Micro III. Compruebe que el iPod/iPhone está completamente introducido en el conector.
2. Use el software iTunes de su PC para sincronizar el iPod/iPhone con iTunes.
3. Cuando haya finalizado la sincronización, expulse el iPod/iPhone desde iTunes.

CARGA DEL iPod/iPhone

El JBL On Stage Micro III cargará un iPod/iPhone conectado en la base bajo estas condiciones:

- Cuando el JBL On Stage Micro III está siendo alimentado con su adaptador eléctrico
- Cuando el JBL On Stage Micro III está conectado a un PC a través del cable USB.

El JBL On Stage Micro III no cargará un iPod/iPhone cuando está alimentado por pilas a menos que también esté conectado al PC con el cable USB.

USAR EL JBL ON STAGE MICRO III ALIMENTADO POR PILAS

Si usted ha colocado las pilas como se explica en la *Guía de Configuración rápida del JBL On Stage Micro III – Paso 3*, en la página 41, usted puede desenchufar el adaptador eléctrico del JBL On Stage Micro III y la unidad funcionará alimentado por las pilas.

Mientras funciona a pilas, el JBL On Stage Micro III entrará automáticamente en espera (Standby) cuando el sistema no detecta ninguna señal de audio durante 5 minutos. Tan pronto como se detecta una señal de audio el sistema regresará al funcionamiento normal y el LED se iluminará.

Al operarlo con alimentación de CA, el JBL On Stage Micro III entrará automáticamente en el modo de espera después de que el sistema no detecte ninguna señal de audio durante 10 minutos. Como se muestra arriba, regresará a la operación normal después de detectar una señal de audio, y el LED se iluminará.

Notas sobre el funcionamiento con pilas:

- El JBL On Stage Micro III no cargará pilas recargables.
- El JBL On Stage Micro III no cargará un iPod/iPhone cuando está alimentado por pilas a menos que también esté conectado al PC con el cable USB.

RESOLUCIÓN DE PROBLEMAS EN SU JBL ON STAGE MICRO III

| PROBLEMA | SOLUCIÓN |
|---|---|
| Sin sonido (el LED blanco no se ilumina): | <ul style="list-style-type: none">• Compruebe que la fuente de alimentación está bien conectada al JBL On Stage Micro III. y a una toma de corriente que funcione.• Si está usando alimentación por pilas, cambie las cuatro pilas por pilas desechables nuevas o por pilas recargables recién cargadas. El LED se ilumina en ámbar si necesita reemplazar las pilas.• El JBL On Stage Micro III. está en modo de ahorro de energía (no detectó sonido durante al menos 10 minutos). |
| Sin sonido (el LED blanco está iluminado): | <ul style="list-style-type: none">• Pulse el botón Subir volumen (+) para aumentar el volumen del sistema.• Si está usando un iPod/iPhone conectado en la base, compruebe que está conectado correctamente en el JBL On Stage Micro III.• Si está utilizando una fuente auxiliar, compruebe que el cable de audio está correctamente conectado al conector de entrada de audio del JBL On Stage Micro III y a la salida de audio del equipo fuente.• Compruebe que el iPod o la fuente externa de audio no están en modo Pausa, y que no tienen el control de volumen al mínimo. |
| Sonido crepitante, silbante o distorsionado: | <ul style="list-style-type: none">• Baje el volumen del iPod o del equipo fuente.• Compruebe que el EQ del iPod no está desactivado. |
| Fuerte vibración o zumbido: | <ul style="list-style-type: none">• Compruebe que la clavija de audio está totalmente introducida en el conector de entrada de audio.• Cambie el cable de audio.• Desenchufe la fuente de alimentación y conéctela a una toma de corriente diferente. |

PROBLEMA

SOLUCIÓN

El nivel máximo de volumen está reducido:

- El JBL On Stage Micro III está en modo de ahorro de energía. Conecte el alimentador eléctrico para un mejor funcionamiento.

El sonido sale sólo por un altavoz:

- Compruebe que su iPod/iPhone está completamente asentado sobre el conector de la base de altavoces.
 - Compruebe que la clavija de audio está totalmente introducida en el conector de entrada de audio.
 - Compruebe que el cable de audio es un cable estéreo.
-

ESPECIFICACIONES

| | |
|------------------------------|--|
| Compatibilidad: | Versiones de iPod para conectar en la base (incluso iPod nano 5ª generación, iPod touch 2ª generación, iPod nano 4ª generación, iPod classic, iPod touch 1ª generación, iPod nano 3ª generación, iPod nano 2ª generación, iPod 5ª generación, iPhone 4GB, 8GB, 16GB, iPhone 3G 8GB, 16GB, iPhone 3GS 16GB, 32GB, reproductores MP3 y de CDs, PC de sobremesa y portátiles (todas las plataformas)) |
| Transductores: | 2 x JBL Odyssey™ de 1" de rango completo |
| Potencia: | 2 x 2 W |
| Respuesta de Frecuencia: | 110Hz – 20kHz |
| Relación señal ruido | 63dB |
| Impedancia de entrada (Aux): | 3K ohmios |
| Conexiones de entrada: | Conexión principal – conector de la base para iPod e iPhone; Conexión de entrada Aux – mini-conector estéreo de 3,5" |
| Requerimiento de baterías: | 4 pilas AAA, NiMh o alcalinas |
| Requisitos eléctricos: | 6V CC, 1.5A |
| Consumo de potencia: | 10W (máximo) |
| Dimensiones (Al x An xPr) | 168mm x 168mm x 54mm |
| Peso: | 0.36kg |
| Acabados disponibles: | Negro; Blanco |



ESPAÑOL

HARMAN Harman Consumer, Inc.
8500 Balboa Boulevard, Northridge, CA 91329 USA

www.JBL.com

© 2010 Harman International Industries, Incorporated. Reservados todos los derechos.

Las funciones, las especificaciones y el formato están sujetos a cambios sin previo aviso.

JBL es una marca de Harman International Industries, Incorporated, registrada en los Estados Unidos y/u otros países. Odyssey es una marca de Harman International Industries, Incorporated.

*La marca On Stage se utiliza con permiso de OSA International, Inc.

iPhone, iPod touch, iPod classic, iPod nano e iTunes son marcas comerciales de Apple Inc., registradas en los Estados Unidos y otros países. iPod/iPhone no incluido.

“Hecho para iPod” y “Hecho para iPhone” (Made for iPod & Made for iPhone) quiere decir que un accesorio electrónico ha sido diseñado para conectarse específicamente a un iPod o a un iPhone, respectivamente, y ha sido certificado por su creador para cumplir con los estándares de funcionamiento de Apple. Apple no es responsable del funcionamiento de este dispositivo o del cumplimiento de los estándares de seguridad y normativos.

JBL ON STAGE^{®*} MICRO III

Luidsprekerdock voor iPod/iPhone



Made for
iPod iPhone



iPod/iPhone wordt niet meegeleverd.

HANDLEIDING

BELANGRIJK VOOR UW VEILIGHEID

1. Lees deze aanwijzingen zorgvuldig.
2. Bewaar ze op een veilige plaats.
3. Houd u aan alle adviezen.
4. Volg alle raadgevingen op.
5. Gebruik het apparaat niet in de nabijheid van water.
6. Schoonmaken uitsluitend met een droge doek.
7. Blokkeer nooit de ventilatieopeningen. Houd u bij de installatie aan de aanwijzingen van de fabrikant.
8. Plaats het apparaat niet in de nabijheid van sterke warmtebronnen zoals radiatoren, kachels, stoven of andere apparatuur (zoals versterkers) die veel warmte produceren.
9. Verwijder nooit de beveiliging van een gepolariseerde of randaarde stekker. Een gepolariseerde stekker heeft twee platte pennen waarvan de een breder is dan de ander. Een randaarde stekker heeft twee pennen en een zijcontact. De brede pen en het zijcontact zijn bedoeld voor uw veiligheid. Past de stekker niet in uw stopcontact, raadpleeg dan een installateur.
10. Zorg dat er niet op het netsnoer kan worden getrapt en dat het niet kan beschadigen, vooral bij de stekker, contactdozen en op het punt waar het uit het apparaat komt.
11. Gebruik alleen toebehoren als door de fabrikant aangegeven.
12. Gebruik alleen stands, driepoten, beugels, tafels e.d. als door de fabrikant aangegeven. Bij gebruik van een rolwagen opletten dat het apparaat niet omkiept en schade of letsel veroorzaakt.



13. Neem de stekker uit het stopcontact tijdens onweer en bij langdurige afwezigheid.
14. Laat alle service over aan een gekwalificeerde technicus. Service is noodzakelijk wanneer het apparaat of het netsnoer op enige manier is beschadigd, er water, vocht of een voorwerp in is terecht gekomen, het apparaat is blootgesteld aan regen of vocht, niet normaal functioneert of is gevallen.
15. Stel het apparaat niet bloot aan spatwater of druppels en zet ook geen vazen met water o.i.d. op het apparaat.
16. Om het apparaat volledig van het lichtnet te scheiden, neemt u de stekker uit het stopcontact.
17. Zorg dat u de netstekker altijd gemakkelijk kunt bereiken.
18. Stel de batterijen niet bloot aan excessieve warmte, zonlicht, vuur o.i.d.



De bliksemschicht in de gelijkzijdige driehoek waarschuwt de gebruiker voor de aanwezigheid van ongeïsoleerde gevaarlijke spanningen in het inwendige van het product die kunnen leiden tot elektrische schokken



Het uitroepteken in de gelijkzijdige driehoek waarschuwt de gebruiker dat er bij de handleiding van het product belangrijke bedienings- en onderhoudsaanwijzingen (service) zijn gevoegd.

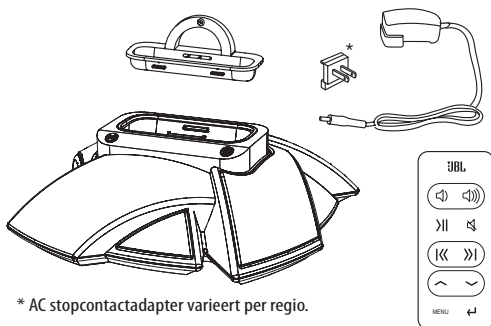
WAARSCHUWING: om het risico op brand of elektrische schokken te verkleinen, het apparaat niet blootstellen aan regen en vocht.

BELANGRIJK VOOR ALLE ELEKTRONISCHE PRODUCTEN:

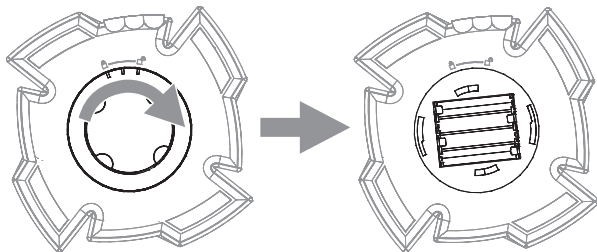
Voordat u audiokabels aansluit op de hoofdtelefoon- of lijnuitgang van uw apparatuur, altijd eerst alle apparatuur uitschakelen. Dit voorkomt storingen en beschermt het apparaat tegen statische elektriciteit en voorkomt schade aan de luidsprekers.

JBL ON STAGE** MICRO III EENVOUDIGE INSTELLINGSINSTRUCTIES

1. Haal uw luidsprekerdock voorzichtig uit de verpakking en controleer of alle hieronder afgebeelde voorwerpen aanwezig zijn: JBL On Stage** Micro III Luidsprekerdock, voeding, afstandsbediening en iPod/iPhone adapter.



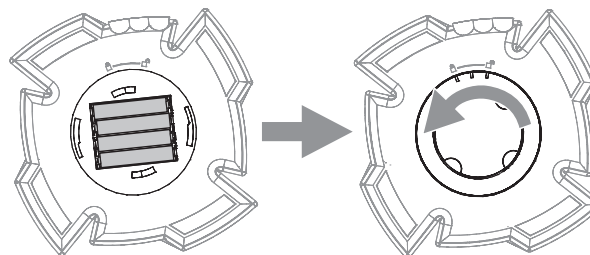
2. Draai het batterijklepje naar de ontgrendelstand en verwijder het.



3. Plaats vier AAA batterijen in de houder en let daarbij op de batterijpolariteit zoals gemarkeerd binnenin de batterijhouder.

OPMERKINGEN M.B.T. BATTERIJGEBRUIK:

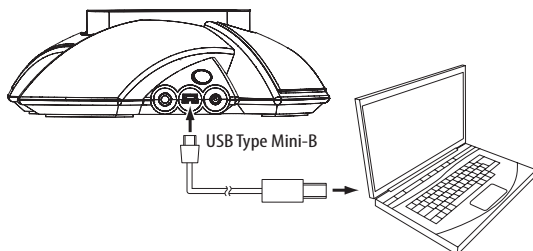
- Als u oplaadbare batterijen gebruikt, dient u ervoor te zorgen dat ze allemaal volledig zijn opgeladen voordat u ze installeert. De JBL On Stage Micro III zal oplaadbare batterijen niet opladen.
 - Als u normale batterijen gebruikt, dient u ervoor te zorgen dat ze allemaal nieuw zijn.
 - Combineer nooit verschillende batterijtypes of oplaadbare en normale batterijen.
 - De Status LED zal amber kleurig oplichten wanneer de batterijen aan vervanging toe zijn.
4. Plaats het klepje terug op de houder en draai het naar de vergrendelstand.



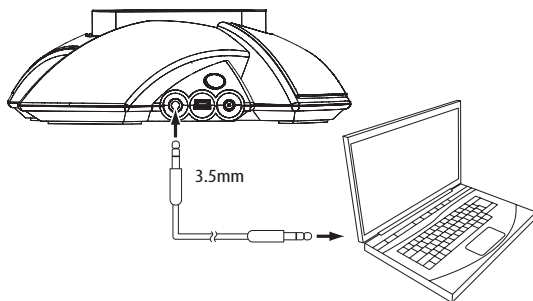
- Gebruik geen verschillende batterijsoorten door elkaar.
- Gebruik geen opgeladen en gedeeltelijk opgeladen batterijen door elkaar.

Waarschuwing: kans op exploderen van de batterij wanneer een verkeerd type word ingezet. Gebruikte batterijen afvoeren conform de aanwijzingen.

5. Sluit een USB Type Mini-B kabel (niet inbegrepen) aan op de USB poort van de JBL On Stage Micro III en op een USB poort van de computer waarop uw iTunes is geïnstalleerd.



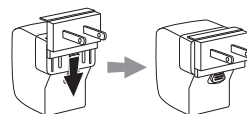
6. Als u uw JBL On Stage Micro III met een andere audiobron wilt gebruiken, dient u het ene einde van een 3,5mm stereo kabel (niet inbegrepen) in de Audio In aansluiting te steken en het andere einde in de Audio Uit of hoofdtelefoonuitgang van de audiobron.



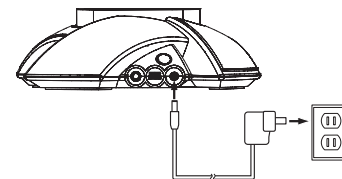
BELANGRIJK: Indien u gelijktijdig audio afspeelt via een aangesloten iPod/iPhone en een audiobron aangesloten op de Audio In aansluiting, zult u beide uitgangen gemixt via de JBL On Stage Micro III horen. Om naar slechts één bron te luisteren, dient u de bron waar u niet naar wilt luisteren handmatig uit te schakelen.

7. Steek de inbegrepen AC stopcontactadapter volledig in de voeding (in geval dat meerdere adapters zijn inbegrepen, gebruik uw regio-specifieke adapter). Sluit de voeding vervolgens aan op de DC In aansluiting van de JBL On Stage Micro III en steek het in een AC stopcontact.

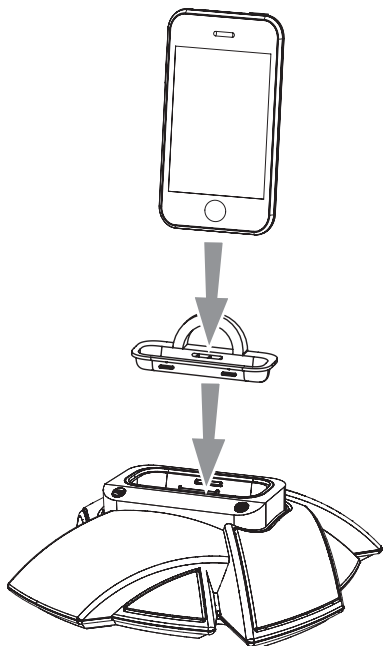
1.



2.

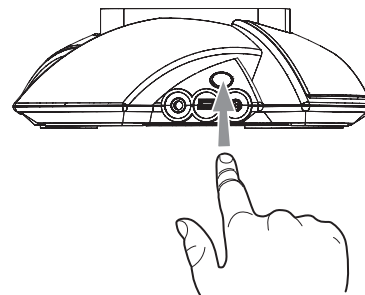


8. Plaats de juiste iPod/iPhone adapter op het dock van de JBL On Stage Micro III en plaats uw iPod/iPhone vervolgens op de docking aansluiting. Zorg ervoor dat de iPod/iPhone volledig in de aansluiting is gestoken.

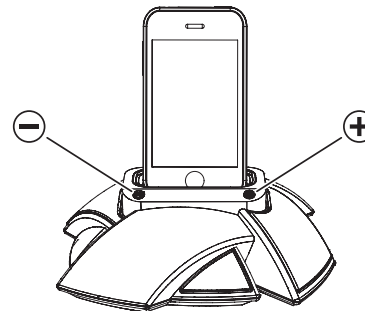


OPMERKING: Indien beschikbaar, gebruik de adapter meegeleverd met uw iPod of iPhone.

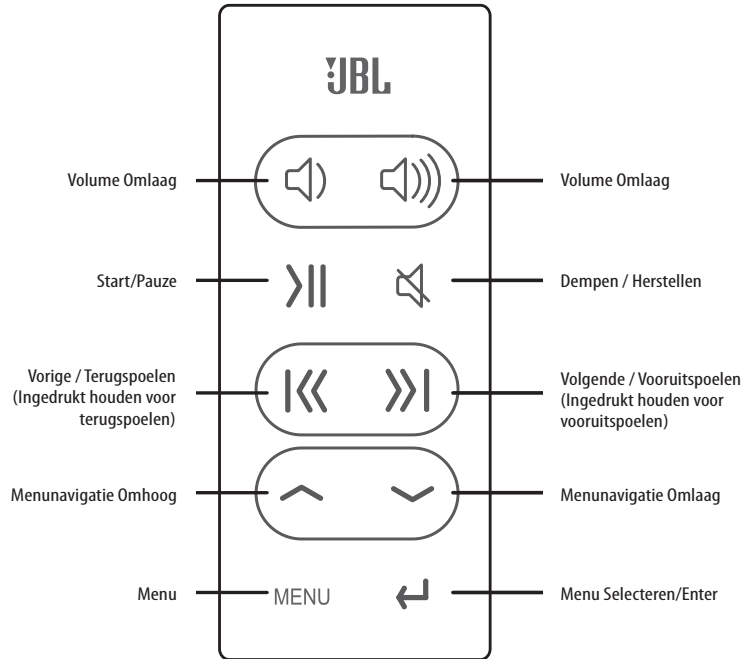
9. Druk op de Aan/Uittoets van uw JBL On Stage Micro III. De Status LED van het apparaat zal wit oplichten zodra het systeem inschakelt.



10. Pas het volume aan met de (+) en (-) toetsen. Druk op beide toetsen om het geluid te dempen; druk op één van deze toetsen om het geluid te herstellen.



AFSTANDSBEDIENINGTOETSEN



OPMERKING: iPod touch -en iPhone menunavigatie vereist eventueel handmatige instelling van de iPod/iPhone in muziekmodus.

STATUS LED

De LED op uw JBL On Stage Micro III geeft met verschillende kleuren de status van uw apparaat aan:

| LED Display | State |
|--------------------|--|
| Wit – Constant | JBL On Stage Micro III is ingeschakeld |
| Wit – Knipperend | JBL On Stage Micro III is gedempt |
| Amber – Constant | Lage batterij |
| Amber – Knipperend | JBL On Stage Micro III is gedempt en de batterij is laag |
| Geen LED | JBL On Stage Micro III is in Stand-by of uitgeschakeld |

SYNCHRONISEREN MET iTunes

OPMERKING: Voordat u uw iPod/iPhone met iTunes probeert te synchroniseren, dient u ervoor te zorgen dat beide uw iPod/iPhone en iTunes zijn geüpdate tot de meest recente softwareversie.

Controleer vóór synchronisatie of de USB poort van de JBL On Stage Micro III is aangesloten op de computer waarop uw iTunes is geïnstalleerd.

1. Plaats uw iPod/iPhone op de docking aansluiting van de JBL On Stage Micro III. Controleer of de iPod/iPhone volledig in de aansluiting is gestoken.
2. Gebruik de iTunes software op uw computer om de iPod/iPhone met iTunes te synchroniseren.
3. Koppel de iPod/iPhone los van iTunes na een geslaagde synchronisatie.

iPod/iPhone OPLADEN

De JBL On Stage Micro III zal in de volgende gevallen een aangesloten iPod/iPhone opladen:

- Wanneer de JBL On Stage Micro III van stroom wordt voorzien via de AC stroomadapter ervan.
- Wanneer de JBL On Stage Micro III aangesloten is op een computer via een USB kabel.

De JBL On Stage Micro III zal een aangesloten iPod/iPhone niet opladen wanneer gebruikt op batterijvoeding, tenzij ook aangesloten op een computer via een USB kabel.

UW JBL ON STAGE MICRO III OP BATTERIJVOEDING GEBRUIKEN

Als u batterijen hebt geplaatst zoals beschreven in de *JBL On Stage Micro III Eenvoudige Instellingsinstructies – Stap 3*, op pagina 53, dan kunt u de stroomadapter van de JBL On Stage Micro III loskoppelen om het apparaat op batterijvoeding te laten werken.

Wanneer de JBL On Stage Micro III op batterijen wordt gebruikt, zal het automatisch op Stand-by schakelen nadat het systeem voor 5 minuten geen audiosignaal waarneemt. Zodra het systeem weer een audiosignaal ontvangt, keert het terug naar de normale gebruiksmodus en schakelt de LED in.

Bij gebruik op het lichtnet gaat de JBL On Stage Micro III automatisch in standby nadat het systeem gedurende 10 minuten geen signaal heeft ontvangen. Als hierboven, keert het terug naar normaal bedrijf, zodra een audiosignaal wordt ontvangen en de LED licht dan op.

Opmerkingen m.b.t. batterijgebruik:

- De JBL On Stage Micro III zal oplaadbare batterijen niet opladen.
- Wanneer de JBL On Stage Micro III op batterijen werkt, zal het een aangesloten iPod/iPhone niet opladen, tenzij ook aangesloten op een computer via een USB kabel.

PROBLEEMOPLOSSING VOOR UW JBL ON STAGE MICRO III

| PROBLEEM | OPLOSSING |
|--|---|
| Geen geluid (witte LED brandt niet): | <ul style="list-style-type: none">• Zorg ervoor dat de voeding goed is aangesloten op de JBL On Stage Micro III en op een werkzaam AC stopcontact.• Indien u de batterijvoeding gebruikt, kunt u alle vier batterijen vervangen door gloednieuwe wegwerpbatterijen of vers opgeladen oplaadbare batterijen. De LED zal amber kleurig oplichten wanneer de batterijen aan vervanging toe zijn.• JBL On Stage Micro III is ingesteld op energiebesparingsmodus (geen geluid waargenomen voor minimaal 10 minuten). |
| Geen geluid (witte LED brandt wel): | <ul style="list-style-type: none">• Raak de Volume Omhoogtoets (+) aan om het systeemvolume te verhogen.• Indien u een aangesloten iPod/iPhone gebruikt, dient u ervoor te zorgen dat het goed in het dock in de JBL On Stage Micro III zit.• Indien u een aanvullende bron gebruikt, moet de audiokabel correct zijn aangesloten op de Audio In aansluiting van de JBL On Stage Micro III en op de audio-uitgang van de bron.• Zorg ervoor dat de iPod of audiobron niet ingesteld zijn op Pauzmodus en dat de volumeregeling ervan niet volledig omlaag is gedraaid. |
| Geluid kraakt, ruist of is verstoord: | <ul style="list-style-type: none">• Verhoog het volume van de iPod of audiobron.• Zorg ervoor dat de EQ instelling van de iPod is ingesteld op "Uit." |
| Luid geruis of zoemen: | <ul style="list-style-type: none">• Zorg ervoor dat de audiokabel volledig in de audio-ingang is gestoken.• Vervang de audiokabel.• Koppel de voeding los en sluit het op een ander AC stopcontact aan. |

PROBLEEM

Maximum volumeniveau is verlaagd:

Geluid komt uit slechts één luidspreker:

OPLOSSING

- JBL On Stage Micro III is ingesteld op Batterijbesparingsmodus (BCM). Schakel over op AC voeding voor hogere prestatie.
- Zorg ervoor dat de iPod/iPhone correct en volledig in de docking aansluiting zit.
- Zorg ervoor dat de audiokabel volledig in de audio-ingang is gestoken.
- Zorg ervoor dat de audiokabel een stereo kabel is.

SPECIFICATIES

| | |
|--------------------------|--|
| Compatibiliteit: | Docking versies van de iPod (inclusief iPod nano 5e generatie, iPod touch 2e generatie, iPod nano 4e generatie, iPod classic, iPod touch 1e generatie, iPod nano 3e generatie, iPod nano 2e generatie, iPod 5e generatie), iPhone 4GB, 8GB, 16GB, iPhone 3G 8GB, 16GB, iPhone 3GS 16GB, 32GB, MP3 en CD spelers, desktop en laptop computers (alle besturingssystemen) |
| Omvormers: | 2 x 1" (25mm) JBL Odyssey™ volledig bereik |
| Belastbaarheid: | 2 watt x 2 |
| Frequentiebereik: | 110Hz – 20kHz |
| Signaal/ruis-afstand: | 63dB |
| Ingangimpedantie (Aux): | 3k ohm |
| Ingangen: | Hoofdaansluiting – iPod en iPhone docking aansluiting; Aux ingang – 3,5mm (1/8") stereo mini ingang |
| Batterijvereisten: | 4 x AAA, NiMh of alkaline |
| Stroomvereisten: | 6V DC, 1.5A |
| Stroomverbruik: | 10W (maximum) |
| Afmetingen (D x B x H): | 168mm x 168mm x 54mm (6-5/8" x 6-5/8" x 2-1/4") |
| Gewicht: | 0.36kg (0.8 lb) |
| Beschikbare afwerkingen: | Zwart, Wit |



HARMAN Harman Consumer, Inc.
8500 Balboa Boulevard, Northridge, CA 91329 USA

www.JBL.com

© 2010 Harman International Industries, Incorporated. Alle rechten voorbehouden.

Eigenschappen, specificaties en vormgeving kunnen zonder voorafgaande kennisgeving worden gewijzigd.

JBL is een handelsmerk van Harman International Industries, Incorporated, geregistreerd in de Verenigde Staten en/of andere landen. Odyssey is een handelsmerk van Harman International Industries, Incorporated.

*Het handelsmerk On Stage wordt gebruikt met toestemming van OSA International, Inc.

iPhone, iPod touch, iPod classic, iPod nano en iTunes zijn handelsmerken van Apple Inc., geregistreerd in de Verenigde Staten en andere landen. iPod/iPhone wordt niet meegeleverd.

“Gemaakt voor iPod en “Gemaakt voor iPhone” betekent dat een elektronisch accessoire specifiek ontworpen is voor aansluiting op iPod en iPhone, respectievelijk, en gecertificeerd is door de ontwikkelaar voor compliantie met Apple prestatienormen. Apple is niet verantwoordelijk voor de werking van dit apparaat of de compliantie ervan met veiligheidsnormen en regelgevingen.

JBL ON STAGE^{®*} MICRO III

Sistema di diffusione sonora iPod/iPhone




iPod/iPhone non è incluso.



MANUALE DI ISTRUZIONI

ISTRUZIONI IMPORTANTI PER LA SICUREZZA

1. Leggere queste istruzioni.
2. Mantenere queste istruzioni.
3. Osservare tutti gli avvisi.
4. Seguire tutte le istruzioni.
5. Non usare questo apparecchio nelle vicinanze di acqua.
6. Pulire solo con un panno asciutto.
7. Non bloccare nessuna delle aperture di ventilazione. Installare seguendo le istruzioni del fabbricante.
8. Non installare vicino a sorgenti di calore come radiatori, diffusori di aria calda, stufe o altri apparati (inclusi amplificatori) che producono calore.
9. Non ostacolare i sistemi di sicurezza della spina polarizzata o con messa a terra. Una spina polarizzata dispone di due spinotti di dimensioni diverse. Una spina del tipo con messa a terra dispone di due spinotti e di un terzo spinotto centrale. Lo spinotto più grande, nel primo caso, e quello centrale, nel secondo, servono a fornire sicurezza. Se la spina in dotazione non entra nella presa, consultare un elettricista per sostituire la presa obsoleta.
10. Evitare che il cavo di alimentazione venga calpestato o pizzicato, soprattutto all'altezza delle spine e delle prolunghie, e nel punto in cui fuoriescono dall'apparecchio.
11. Usare solo gli attacchi/accessori specificati dal fabbricante.
12. Usare solo con il carrello, stand, tripode, supporto o tavolo specificato dal fabbricante o venduto con l'apparato. Quando si usa un carrello, fare attenzione quando si sposta per evitare danni dovuti alla caduta dell'apparecchio. 
13. Scollegare l'apparecchio in caso di temporali o quando non si utilizza l'unità per un lungo periodo di tempo.
14. Fare riferimento al servizio di assistenza autorizzata per ottenere un servizio qualificato. Il servizio di assistenza è necessario quando l'apparecchio subisce qualsiasi tipo di danno, come danni al cavo di alimentazione o alla spina,

danni dovuti a infiltrazioni di acqua o di altri oggetti all'interno dell'apparecchio, o se lo stesso è stato esposto a pioggia o umidità, non funziona normalmente, o ha subito una caduta.

15. Non esporre il presente apparecchio a gocciolamenti o spruzzi ed assicurarsi che nessun oggetto pieno di liquidi, come per esempio un bicchiere, venga situato su di esso.
16. Per scollegare completamente questo apparecchio dall'alimentazione AC principale, scollegare la spina dell'alimentazione dalla presa AC.
17. La spina principale dell'alimentazione deve essere sempre disponibile.
18. Non esporre le batterie a calore eccessivo come la luce del sole, fuoco o simili. Il simbolo del fulmine in un triangolo equilatero serve ad avvisare l'utente della presenza di "tensione pericolosa" non isolata presente nel prodotto che potrebbe essere di una grandezza sufficiente a costituire pericolo di choc elettrico alle persone. Il punto esclamativo inserito in un triangolo serve ad avvisare l'utente della presenza di importanti istruzioni di funzionamento e manutenzione nel manuale allegato al prodotto.



La spia lampeggiante con la freccia all'interno di un triangolo ha lo scopo di avvisare l'utente della presenza di "tensione pericolosa" non isolata all'interno della scatola del prodotto che può essere di sufficiente grandezza da costituire un rischio di scossa elettrica per le persone.



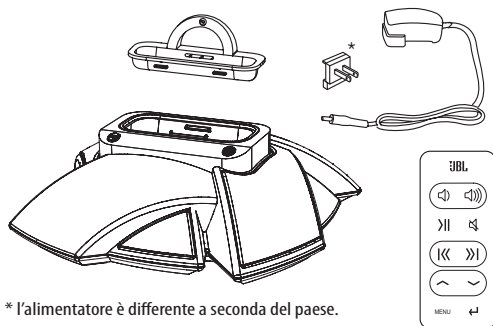
Il punto esclamativo all'interno di un triangolo ha lo scopo di avvisare l'utente della presenza di importanti istruzioni d'uso e di manutenzione (assistenza) nella documentazione che accompagna il prodotto.

ATTENZIONE: Per ridurre il rischio di incendio o choc elettrici, non esporre il prodotto alla pioggia o all'umidità.

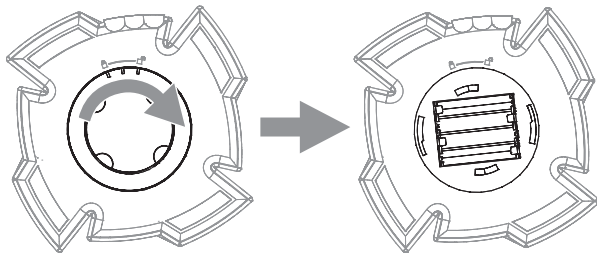
NOTA IMPORTANTE PER TUTTI I PRODOTTI ELETTRONICI: prima di inserire cavi audio negli spinotti degli auricolari o delle uscite di linea del dispositivo sorgente, o di disinserirli, è buona norma spegnere il dispositivo stesso. Ciò contribuirà ad allungarne la durata, a proteggerlo dall'elettricità statica e ad evitare danni potenziali.

JBL ON STAGE® MICRO III - GUIDA INSTALLAZIONE RAPIDA

1. Disimballare attentamente la Stazione Casse e verificare che tutti gli articoli mostrati siano presenti: JBL On Stage® Micro III , alimentatore, telecomando e adattatore per iPod/iPhone.



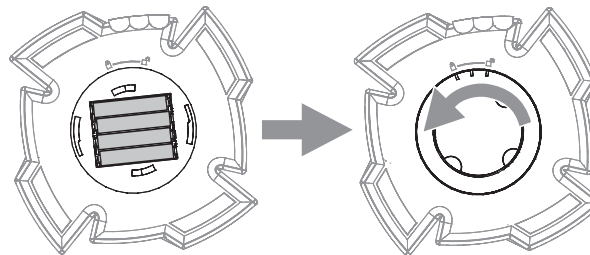
2. Ruotare il coperchio della batteria per sbloccarlo e quindi rimuoverlo.



3. Inserire nell'alloggiamento tre batterie AAA. Rispettare la polarità delle batterie che è indicata all'interno del loro alloggiamento.

NOTE SULL'USO DELLA BATTERIA:

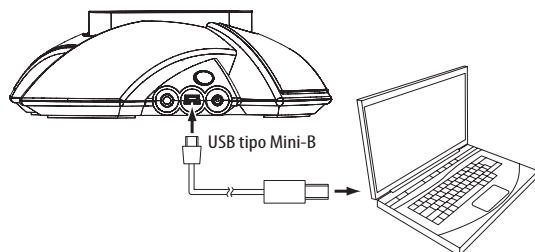
- Se si utilizzano batterie ricaricabili, assicurarsi che siano tutte a piena carica prima di inserirle. Il JBL On Stage Micro III non ricarica le batterie.
 - Se state utilizzando batterie convenzionali, assicuratevi che siano tutte nuove.
 - Non utilizzare un combinazione di batterie convenzionali e ricaricabili. Utilizzare un unico tipo di batteria.
 - Il LED di stato si illuminerà di ambra quando le batterie devono essere sostituite.
4. Riposizionare il coperchio batterie e quindi ruotare nella posizione di blocco.



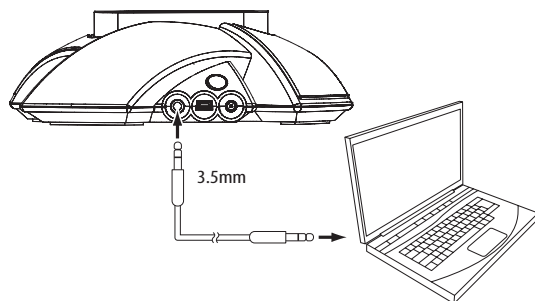
- Non utilizzare batterie di tipi diversi.
- Non utilizzare batterie cariche e parzialmente cariche.
- In JBL On Stage Micro III non ricarica le batterie.

Attenzione: rischio di esplosione della batteria se sostituita con un tipo non corretto. Smaltire le batterie usate secondo le istruzioni.

5. Connettere un cavo USB tipo Mini-B (non incluso) alla porta USB del JBL On Stage Micro III ed all'ingresso USB del computer dove è installato iTunes.



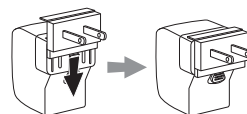
6. Se intendete utilizzare il vostro JBL On Stage Micro III con una sorgente audio differente, inserite l'estremità di un cavo stereo standard 3,5 mm (non incluso) nel connettore audio, e collegate l'altra estremità all'uscita audio del dispositivo o all'uscita per le cuffie.



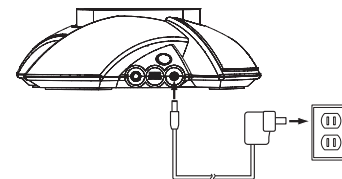
IMPORTANTE: Se state utilizzando contemporaneamente un iPod/iPhone connessi all'apparecchio e un'altra sorgente audio contemporaneamente, sentirete entrambi i suoni dei dispositivi mixati insieme attraverso il JBL On Stage Micro III. Per ascoltare solo una delle due sorgenti dovrete spegnere manualmente il dispositivo che non volete sentire.

7. Inserite l'alimentatore incluso nella presa di corrente (se è presente più di un alimentatore, scegliete quello idoneo al vostro paese). Poi collegare l'alimentatore all'ingresso 6V DC del JBL On Stage Micro III e quindi alla corrente.

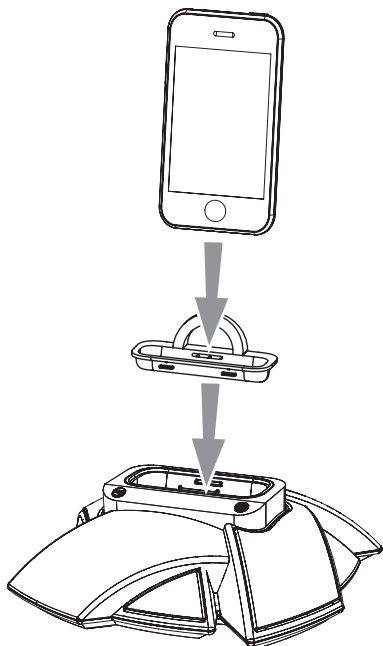
1.



2.

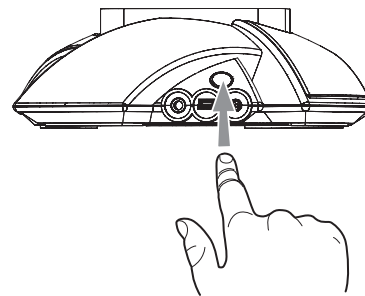


8. Posizionare l'adattatore iPod/iPhone adeguato nell'alloggiamento del JBL On Stage Micro III e inserire quindi l'iPod/iPhone sul connettore specifico. Assicuratevi che l'iPod/iPhone sia connesso totalmente sul connettore.

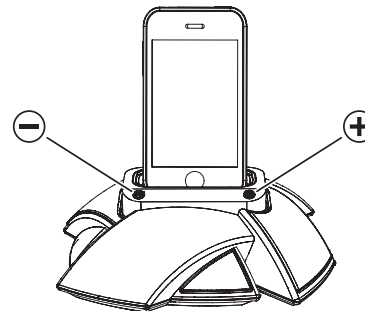


NOTA: Se possibile è consigliabile utilizzare l'adattatore fornitovi con il vostro iPod/iPhone.

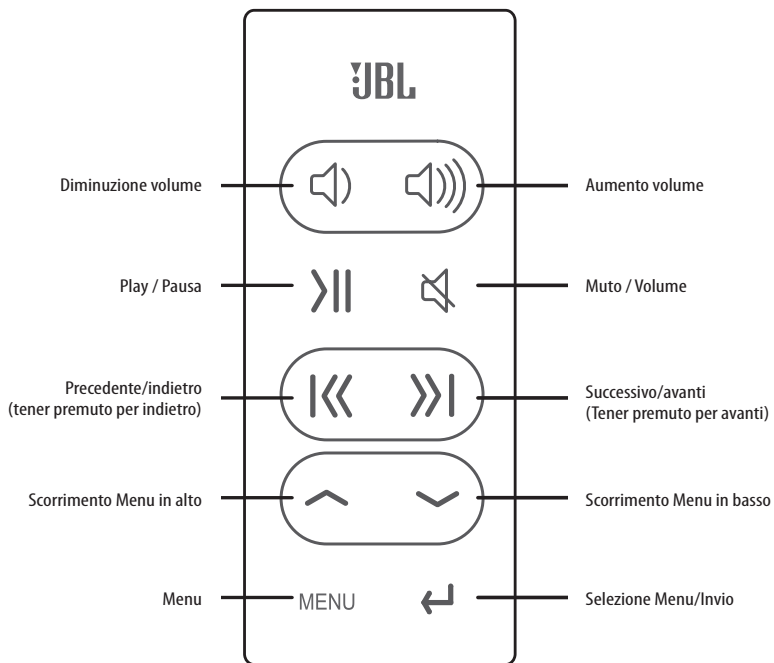
9. Premere il tasto d'accensione del JBL On Stage Micro III. Il LED di stato dell'unità si illuminerà di *bianco* quando il sistema è acceso.



10. Regolare il volume utilizzando i pulsanti (+) e (-). Premere entrambi i pulsanti per silenziare; premere uno dei due pulsanti per ripristinare il volume.



PULSANTI DEL TELECOMANDO



NOTA: Il menù di navigazione dell'iPod touch e dell'iPhone potrebbe richiedere l'attivazione manuale delle musica sul dispositivo.

LED DI STATO

Il LED della JBL On Stage Micro III utilizzerà diversi colori per indicare lo stato dell'unità:

| LED Display | Stato |
|-----------------------|--|
| Bianco - Costante | JBL On Stage Micro III è acceso |
| Bianco - Lampeggiante | JBL On Stage Micro III è silenziato |
| Ambra - Costante | Carica batteria bassa |
| Ambra - Lampeggiante | JBL On Stage Micro III è silenziato e la carica batteria è bassa |
| Spento LED | JBL On Stage Micro III è spento |

SINCRONIZZAZIONE CON iTunes

NOTA: Prima di provare a sincronizzare il vostro iPod/iPhone con iTunes, assicurarsi che sia l'iPod/iPhone che iTunes siano aggiornati con l'ultima versione software.

Prima di tentare a sincronizzare assicurarsi che la porta USB del JBL On Stage Micro III sia connessa al computer su cui è installato iTunes

1. Posizionare l'iPod/iPhone sul connettore della stazione JBL On Stage Micro III. Assicuratevi che l'iPod/iPhone sia connesso totalmente sul connettore.
2. Utilizzare il software iTunes del computer per la sincronizzazione dell'iPod/iPhone.
3. A sincronizzazione ultimata, disconnettere l'iPod/iPhone tramite iTunes.

CARICAMENTO DI iPod/iPhone

JBL On Stage Micro III può caricare l'iPod/iPhone, se sussistono queste condizioni:

- Quando JBL On Stage Micro III è collegato all'alimentatore
- Quando JBL On Stage Micro III è connesso ad un computer tramite USB

JBL On Stage Micro III non caricherà l'iPod/iPhone mentre è in modalità batteria a meno che non sia connesso ad un computer tramite un cavo USB.

FUNZIONAMENTO DEL JBL ON STAGE MICRO III IN MODALITÀ BATTERIA

Se avete inserito le batterie come indicato nella *Guida all'Installazione del JBL On Stage Micro III - Punto 3*, a pag. 65, potete disconnettere l'alimentazione e l'unità continuerà a funzionare in modalità batteria.

Quando funziona in modalità batteria, JBL On Stage Micro III si porterà automaticamente su funzionalità Stand By dopo che il sistema non rileva segnali audio per più di 5 minuti. Non appena viene rilevato un segnale audio, il sistema ritornerà alle operazioni normali ed il LED si illuminerà.

Utilizzando l'alimentazione AC, JBL On Stage Micro III entra automaticamente in modalità standby nel caso in cui il sistema non rilevi alcun segnale audio per 10 minuti. Come sopra, ritorna quindi al funzionamento normale al momento di rilevamento del segnale audio, e il LED si illumina.

Note sul funzionamento a batteria:

- JBL On Stage Micro III non ricarica le batterie ricaricabili.
- JBL On Stage Micro III non caricherà l'iPod/iPhone mentre è in modalità batteria a meno che non sia connesso ad un computer tramite un cavo USB.

RISOLUZIONE DEI PROBLEMI DEL TUO JBL ON STAGE MICRO III

| PROBLEMA | SOLUZIONE |
|---|---|
| Nessun suono (il LED bianco è spento): | <ul style="list-style-type: none">• Assicurarsi che l'alimentatore sia connesso a JBL On Stage Micro III e ad una presa elettrica funzionante.• Se state utilizzando la modalità batteria, sostituire tutte e quattro le batterie con batterie nuovo o appena ricaricate. Il LED si illuminerà di colore ambra se le batterie necessitano una sostituzione.• JBL On Stage Micro III è in modalità di risparmio energia (nessun suono è stato rilevato per almeno 10 minuti). |
| Nessun suono (il LED bianco è acceso): | <ul style="list-style-type: none">• Alzare il volume (+) utilizzando l'apposito tasto.• Se state utilizzando un iPod/iPhone, assicurarsi che sia inserito correttamente nel JBL On Stage Micro III.• Se state utilizzando una sorgente audio ausiliare, assicurarvi che il cavo audio sia connesso correttamente all'ingresso del JBL On Stage Micro III ed all'uscita del dispositivo audio.• Assicurarsi che l'iPod o il dispositivo audio non siano in Pausa, e che il volume non sia abbassato totalmente. |
| Il suono gracchia o è distorto: | <ul style="list-style-type: none">• Abbassare il volume dell'iPod o del dispositivo audio.• Assicurarsi che l'equalizzatore dell'iPod sia disattivato. |
| Forte fruscio o disturbo: | <ul style="list-style-type: none">• Assicurarsi che il cavo audio sia inserito totalmente nell'ingresso audio.• Sostituire il cavo audio.• Togliere l'alimentatore e inserirlo in una differente presa di corrente. |

PROBLEMA

Il livello massimo del volume è basso:

SOLUZIONE

- JBL On Stage Micro III è nella modalità di risparmio energetica (MRE) Inserire l'alimentazione per performance migliori.
- Assicurarsi che l'iPod/iPhone sia inserito correttamente nel connettore dell'apparecchio.
- Assicurarsi che il cavo audio sia inserito totalmente nell'ingresso audio.
- Assicurarsi che il cavo audio sia un cavo stereo.

SPECIFICHE

| | |
|-----------------------------|---|
| Compatibilità: | Le versioni degli iPod (incluso l'iPod nano di 5a generazione, l'iPod touch di 2a generazione, l'iPod nano di 4a generazione, l'iPod classic, l'iPod touch di 1a generazione, l'iPod nano di 3a generazione, l'iPod nano di 2a generazione, l'iPod di 5 generazione, l'iPhone 4Gb, 8Gb, 16Gb. iPhone 3G 8Gb, 16Gb, iPhone 3GS 16Gb, 32Gb, riproduttori CD e MP3 PC e Laptop, tutti i sistemi operativi. |
| Trasduttore: | 2 x 1" (25mm) JBL Odyssey™ full-range |
| Potenza: | 2 watt x 2 |
| Risposta in frequenza: | 110Hz – 20kHz |
| Rapporto segnale/rumore: | 63dB |
| Impedenza d'ingresso (Aux): | 3k ohm |
| Connettori d'ingresso: | Connessione principale - connettore di stazione per iPod e iPhone; ingresso ausiliario - mini jack stereo 3,5 mm (1/8") |
| Requisiti della batteria: | 4 x AAA, NiMh o alcaline |
| Requisiti di alimentazione: | 6V DC, 1.5A |
| Consumo Energia: | 10W (massimo) |
| Dimensioni (P x L x H): | 168mm x 168mm x 54mm (6-5/8" x 6-5/8" x 2-1/4") |
| Peso: | 0.36kg (0.8 lb) |
| Modelli disponibili: | Nero; Bianco |



Harman Consumer, Inc.
8500 Balboa Boulevard, Northridge, CA 91329 USA

www.JBL.com

© 2010 Harman International Industries, Incorporated. Tutti i diritti sono riservati.

Funzionalità, specifiche e aspetto sono soggetti a modifica senza preavviso.

JBL è un marchio proprietario di Harman International Industries, Incorporated, registrato negli Stati Uniti e/o altre nazioni. Odyssey è un marchio proprietario di Harman International Industries, Incorporated.

*Il marchio di fabbrica On Stage è utilizzato con il permesso di OSA International, Inc.

iPhone, iPod touch, iPod classic, iPod nano e iTunes sono marchi di Apple Inc., registrati negli Stati Uniti e in altri paesi. iPod/iPhone non è incluso.

“Made for iPod” e “Made for iPhone” significa che un accessorio elettronico è stato disegnato in modo specifico per la connessione all'iPod ed è stato certificato dall'operatore di sviluppo per adattarsi alle prestazioni standard di Apple. Apple non è responsabile del funzionamento di tale dispositivo o della relativa conformità alle norme di sicurezza e regolamentazione.

JBL ON STAGE^{®*} MICRO III

Högtalardockningsstation för iPod/iPhone



iPod/iPhone ingår inte.



ANVÄNDARHANDBOK

VIKTIGA SÄKERHETS INSTRUKTIONER

1. Läs igenom instruktionerna.
2. Behåll instruktionerna.
3. Uppmärksamma alla varningar.
4. Följ instruktionerna.
5. Använd inte enheten nära vatten.
6. Rengör endast med torr trasa.
7. Blockera inga ventilationsöppningar. Installera enligt tillverkarens instruktioner.
8. Installeras inte i närheten av värmekällor som radiatorer, värmeelement, ugnar eller andra enheter (inklusive förstärkare) som avger värme.
9. Glöm inte att det finns en fördel med en jordad anslutning om produkten har en jordad kontakt. En vanlig kontakt har två stift, en jordad har en tredje kontakt yta, denna kontaktyta är för att ansluta en jordförbindelse mellan produkten och ditt vägguttag. Om den medföljande kontakten inte passar i ditt uttag, rådgör med en elektriker för att ersätta det felaktiga uttaget.
10. Se till så att nätkabeln är placerad så att man inte kan trampa på eller klämma den. Detta gäller speciellt vid kontakter och uttag där nätsladden ansluts.
11. Använd bara tillbehör enligt tillverkarens specifikationer.
12. Använd bara fästen och stativ som tillverkaren rekommenderar. Om du använder en vagn var försiktig vid flyttning av densamma, så att inga skador uppstår på grund av att produkten välter.



13. Koppla ur enheten vid åskväder eller om den inte ska användas under lång tid.
14. Låt all service utföras av kvalificerad servicetekniker. Service krävs då enheten skadats på något sätt, t ex strömkabeln eller kontakten är skadad, vätska har spillts ut över enheten, enheten har exponerats för regn eller fukt, enheten inte fungerar som den ska eller har tappats i golvet.
15. Undvik att placera produkten så att den kommer nära fukt eller vätska. Se till så att inga föremål fyllda med vätska, t ex vaser, är placerade på enheten.
16. Om du vill koppla ifrån produkten helt från nätanslutningen, ta ur nätkabeln från enheten.
17. Nätkabeln kan vara kvar ansluten till vägguttaget.
18. Exponera inte batterier för hög värme som direkt solljus, eld eller liknande.

Blixtsymbolen med en pil i änden, i en liksidig triangel, är för att varna användare för icke isolerad "farlig spänning" på enhetens hölje som kan vara av sådan kraft att det innebär en risk för elektrisk stöt.



Utropstecknet inom en liksidig triangel är för att uppmärksamma användare på viktiga drift och underhålls-instruktioner som finns i de dokument som medföljer produkten.

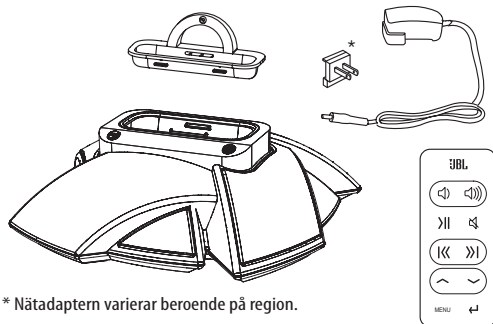


WARNING: För att minska risken för eldsvåda eller elektriska stötar, utsätt aldrig enheten för regn eller fukt.

VIKTIG INFORMATION GÄLLANDE ALLA ELEKTRONISKA PRODUKTER: Innan högtalarsladdar sätts i eller dras ut ur enhetens hörlurar eller line-level, är det att rekommendera att enheten först stängs av. Denna åtgärd förlänger enhetens livslängd, hjälper till i att skydda enheten mot statisk elektricitet och förebygger eventuella skador.

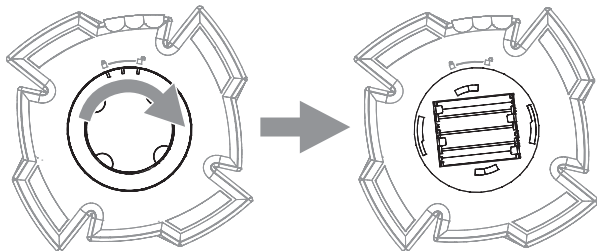
JBL ON STAGE** MICRO III GUIDE

1. Packa försiktigt upp högtalardockningsstationen och kontrollera att alla saker som visas här finns med: JBL On Stage** Micro III högtalardockningsstation, nätaggregat, fjärrkontroll och adapter för iPod/iPhone.



* Nätaggretet varierar beroende på region.

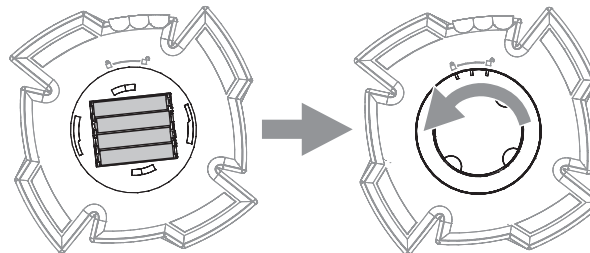
2. Vrid batteriluckan till det olåsta läget och öppna den.



3. Sätt i fyra AAA-batterier i facket. Kontrollera så att batteriernas polaritet stämmer med markeringarna i facket.

OM BATTERIANVÄNDNINGÆ:

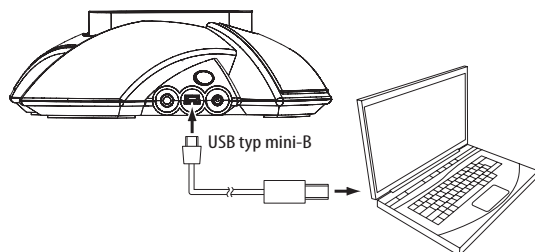
- Om du använder uppladdningsbara batterier ska du se till att de är fulladdade innan du sätter i dem. JBL On Stage Micro III laddar inte uppladdningsbara batterier.
 - Om du använder vanliga batterier ska du se till att de är nya.
 - Blanda aldrig uppladdningsbara och vanliga batterier. Använd enbart den ena eller den andra typen.
 - Status-indikatorn tänds och lyser med en *brun/röd* färg när batterierna behöver bytas ut.
4. Sätt tillbaka batteriluckan och vrid den till det låsta läget.



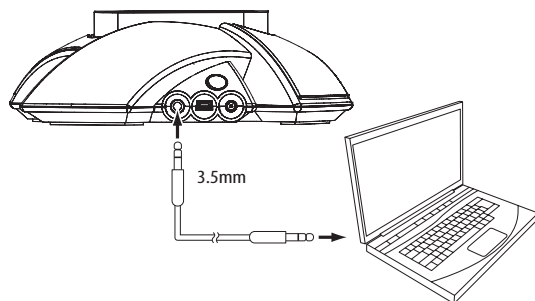
- Blanda inte batterityper.
- Blanda inte laddade och delvis laddade batterier.
- Batterier laddas inte i JBL On Stage Micro III.

Varning: det finns risk för explosion av batterier om man ersätter med fel typ. Lämna dina brukade batterier till återvinning.

5. Anslut en USB typ mini-B-kabel (medföljer inte) till USB-porten på JBL On Stage Micro III och till en USB-port på datorn där iTunes finns.

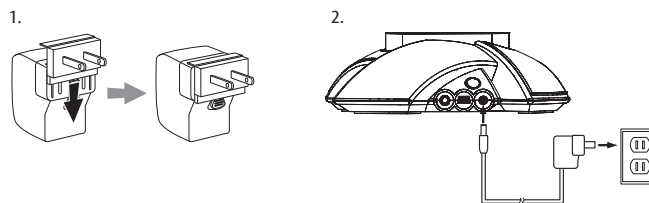


6. Om du tänker använda din JBL On Stage Micro III med någon annan ljudkälla kopplar du in ena änden på en 3,5 mm stereokabel (medföljer inte) i anslutningen Audio In och den andra änden i ljudkällans audioutgång eller hörlursutgång.

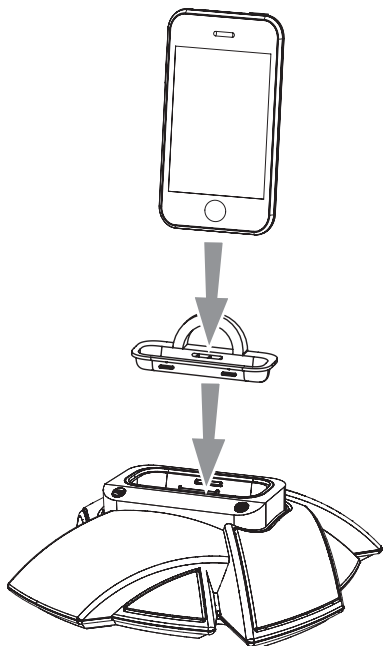


VIKTIGT: Om du spelar upp audio genom en dockad iPod/iPhone och en ljudkälla ansluten till Audio In samtidigt kommer båda signalerna att höras i JBL On Stage Micro III. Om du bara vill höra ena signalen måste du stänga av den andra audiokällan manuellt.

7. Stoppa i den medföljande nätadaptern i nätaggregatet (om det finns mer än en adapter måste du kontrollera att du använder den rätta för din region). Anslut sedan nätaggregatet till 6V-likströmsingången på JBL On Stage Micro III och koppla in den i ett vägguttag.

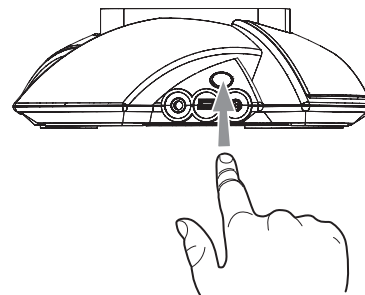


8. Placera passande iPod/iPhone-adapter i iPod-vaggan på JBL On Stage Micro III och sätt i din iPod/iPhone. Se till att iPod/iPhone är ordentligt isatt.

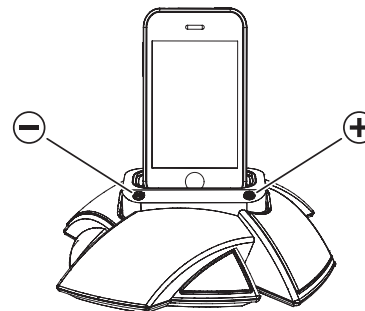


OBS: Om det går så använd adaptern som medföljde din iPod/iPhone.

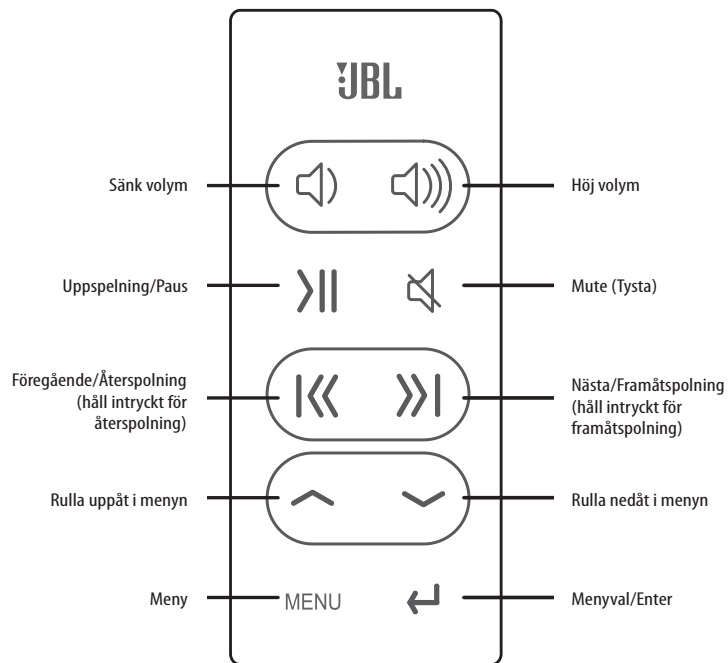
9. Tryck på On/Off-knappen på JBL On Stage Micro III. Enhetens statusindikator kommer att lysa *vit* när systemet är igång.



10. Ställ in volymen med knapparna (+) och (-). Tryck på båda knapparna för att tysta ljudet, tryck sedan på en av knapparna för att få ljudet tillbaka.



KNAPPAR PÅ FJÄRRKONTROLLEN



OBS: Menynavigationen i iPod touch och iPhone kan kräva att du manuellt ställer in iPod/iPhone i musikläge.

STATUS-INDIKATOR

Statusindikatorn på JBL On Stage Micro III lyser med olika färg för att visa enhetens status:

| LED-SKÄRM | LÄGE |
|-----------------|---|
| Vit – Fast sken | JBL On Stage Micro III är igång |
| Vit – Blinkar | JBL On Stage Micro III är tystad |
| Gul – Fast sken | Låg batteriladdning |
| Gult – Blinkar | JBL On Stage Micro III är tystad och batteriet har låg laddning |
| Lyser inte | JBL On Stage Micro III är i standbyläge eller avstängd |

SYNCHRONIZING MED iTunes

OBS: Innan du försöker synkronisera din iPod/iPhone med iTunes ska du kontrollera att både iPod/iPhone och iTunes är uppdaterade med den senaste versionen av programvara.

Innan du försöker synkronisera ska du se till att USB-porten på JBL On Stage Micro III är ansluten till datorn där du har iTunes.

1. Docka din iPod/iPhone på JBL On Stage Micro III. Se till att iPod/iPhone är ordentligt isatt.
2. Använd iTunes programvara för att synkronisera iPod/iPhone med iTunes.
3. När synkroniseringen är klar matar du ut iPod/iPhone från iTunes.

iPod/iPhone LADDNING

JBL On Stage Micro III laddar en dockad iPod/iPhone vid följande:

- När JBL On Stage Micro III strömsätts av sin nätadapter.
- När JBL On Stage Micro III är ansluten till en dator via USB-kabel.

JBL On Stage Micro III laddar inte en dockad iPod/iPhone under batteridrift såvida den inte också är ansluten till en dator via USB-kabel.

JBL ON STAGE MICRO III PÅ BATTERIKRAFT

Om du har satt i batterier så som beskrivs i JBL On Stage Micro III Guide – Steg 3, på sidan 77 kan du koppla bort nätadaptern på JBL On Stage Micro III så kommer enheten att drivas av batterikraft.

Under batteridrift går JBL On Stage Micro III automatiskt till standbyläge när systemet inte fått någon audiosignal på 5 minuter. Då systemet upptäcker en audiosignal återgår det till normal drift och indikatorn tänds.

När du kör på växelström, kommer JBL On Stage Micro III automatiskt in i standbyläge när systemet inte känt av någon ljudsignal på 10 minuter. Som ovan, kommer den att återgå till normal drift med att upptäcka en ljudsignal och lysdiod tänds.

Om användning med batterikraft:

- JBL On Stage Micro III laddar inte uppladdningsbara batterier.
- JBL On Stage Micro III laddar inte en dockad iPod/iPhone under batteridrift såvida den inte också är ansluten till en dator via USB-kabel.

FELSÖKNING AV JBL ON STAGE MICRO III

| PROBLEM | LÖSNING |
|---|--|
| Inget ljud (indikatorn lyser inte vitt): | <ul style="list-style-type: none">• Kontrollera att nättaggregatet är ordentligt kopplat till JBL On Stage Micro III och ett fungerande eluttag.• Om du använder batterikraft kan du prova att byta ut alla fyra batterierna med helt nya eller fulladdade uppladdningsbara batterier. Indikatorn lyser med en <i>brun/röd</i> färg om batterierna behöver bytas ut.• JBL On Stage Micro III är i energisparläge (ingen audiosignal har upptäckts under 10 minuter). |
| Inget ljud (indikatorn lyser vitt): | <ul style="list-style-type: none">• Tryck på Hög volym (+) för att höja volymen i systemet.• Om du spelar upp från en dockad iPod/iPhone, ska du kontrollera att den är ordentligt dockad på JBL On Stage Micro III.• Om du använder någon annan extern källa, kontrollera att audiokabeln är ordentligt ansluten mellan Audio In på JBL On Stage Micro III och källans audioutgång.• Se till att iPod eller källan inte är i Paus-läge och att dess volymkontroll inte är nere i botten. |
| Ljudet spricker, viner eller störs: | <ul style="list-style-type: none">• Sänk volymen på iPod eller källan.• Kontrollera att EQ-inställningen i iPod är inställd på "Off". |
| Ljudligt brummande eller surrande: | <ul style="list-style-type: none">• Kontrollera att audiokabeln är ordentligt intryckt i kontakten Audio Input.• Byt ut audiokabeln.• Koppla ur nättaggregatet och anslut det till ett annat eluttag. |

PROBLEM

Maxvolymen är minskad:

Ljudet kommer enbart från ena högtalaren:

LÖSNING

- JBL On Stage Micro III är i batterisparläge (BCM). Byt till nätdrift för högre prestanda.
- Kontrollera att iPod/iPhone är ordentligt dockad och intryckt.
- Kontrollera att audiokabeln är ordentligt intryckt i kontakten Audio In.
- Kontrollera att audiokabeln är en stereokabel.

SPECIFIKATIONER

| | |
|-------------------------------|--|
| Kompatibilitet: | Dockar versioner av iPod (inklusive iPod nano 5:e generationen, iPod touch 2:a generationen, iPod nano 4:e generationen, iPod classic, iPod touch 1:a generationen, iPod nano 3:e generationen, iPod nano 2:a generationen, iPod 5:e generationen, iPhone 4GB, 8GB, 16GB, iPhone 3G 8GB, 16GB, iPhone 3GS 16GB, 32GB, MP3- och CD-spelare, stationära och bärbara datorer (samtliga plattformar) |
| Omvandlare: | 2 x 1" (25 mm) JBL Odyssey™ full-range |
| Strömförsörjning: | 2 watt x 2 |
| Frekvensomfång: | 110 Hz – 20 kHz |
| Signal-till-brus-förhållande: | 63 dB |
| Impedans in (Aux): | 3 kohms |
| Anslutningar in: | Huvudanslutning – iPod och iPhone dockningsanslutning; Aux in-anslutning – 3,5 mm (1/8") stereominiuttag |
| Batteri: | 4 x AAA, NiMh eller alkaline |
| Strömspecifikationer: | 6V DC / 1.5A |
| Energiförbrukning: | 10W (max) |
| Mått (D x B x H): | 168mm x 168mm x 54mm (6-5/8" x 6-5/8" x 2-1/4") |
| Vikt: | 0.36kg (0.8 lb) |
| Färger: | Svart; vit |



Harman Consumer, Inc.
8500 Balboa Boulevard, Northridge, CA 91329 USA

www.JBL.com

© 2010 Harman International Industries, Incorporated. Alla rättigheter förbehållna.

Funktioner, specifikationer och design kan komma att ändras utan föregående meddelande.

JBL är ett varumärke som tillhör Harman International Industries, Incorporated, som är registrerad i USA och/eller andra länder. Odyssey är ett varumärke som tillhör Harman International Industries, Incorporated.

* Varumärket On Stage används med tillstånd från OSA International, Inc.

iPhone, iPod touch, iPod classic, iPod nano, och iTunes er varumärke tillhörande Apple Inc., registrerat i USA och andra länder. iPod/iPhone ingår inte.

”Made for iPod” och ”Made for iPhone” innebär att ett elektroniskt tillbehör har designats för att kunna anslutas specifikt till iPod eller iPhone och är certifierat av utvecklaren att klara Apples standardkrav för prestanda. Apple är inte ansvarig för funktionen för denna enhet eller dess efterlevnad av säkerhets- och regelverksstandarder.

SIEMSK

JBL ON STAGE^{®*} MICRO III

Højtalerdock til iPod/iPhone



iPod/iPhone medfølger ikke.



BRUGSVEJLEDNING

VIGTIGE SIKKERHEDSINFORMATIONER

1. Læs informationerne.
2. Gem informationerne.
3. Overhold nøje alle advarsler.
4. Følg alle instruktioner.
5. Produktet må ikke benyttes tæt på vand.
6. Produktet må kun rengøres med en tør klud.
7. Ventilationshuller må ikke blokeres. Installation skal ske i henhold til producentens anvisninger.
8. Produktet placeres væk fra varmekilder som radiatorer, direkte sollys, ovn/komfur eller andre produkter (også effektforstærkere) der udstråler varme.
9. Et to-bens lysnetstik kan vende den ene eller den anden vej i kontakten. Vælg den retning som giver den bedste lydgengivelse.
10. Lysnetledning placeres, så den ikke klemmes af gående eller af genstande placeret på eller ved dem. Pas især godt på ved stikket, stikdåser og dér hvor ledningen kommer ud af produktet.
11. Brug kun tilbehør/ekstraudstyr som anbefales af producenten.
12. Brug kun underlag, stand, trefod, vogn, beslag eller bord anbefalet af producenten eller som sælges sammen med produktet. Ved brug af vogn, udvises forsigtighed for at undgå skade ved væltning.



13. Lysnetledningen trækkes ud i tordenvej eller når produktet skal stå ubenyttet gennem længere tid.
14. Al service henvises til autoriseret værksted. Service kræves ved skade på apparatet, lysnetledning eller stik, hvis væske eller fremmede genstande er trængt ind i produktet, hvis produktet har været udsat for regn eller anden fugt, hvis produktet ikke fungerer korrekt ved normal betjening eller hvis produktet udsættes for slag eller fald.
15. Produktet må ikke udsættes for dryp eller stænk. Genstande som indeholder væske, f.eks. vaser, må aldrig placeres på eller ved produktet.
16. For helt at afbryde forbindelse til lysnet, trækkes lysnetledningen ud af fatningen på apparatet.
17. Stikket på lysnetledningen skal altid være lettilgængeligt.
18. Batterier må ikke udsættes for ekstrem varme fra sol, ild eller lignende.



Lysymbol i trekant advarer brugeren om uisoleret "farlig spænding" inde i apparatet som kan være kraftig nok til at udgøre risiko for elektrisk stød.



Udråbstegn i trekant advarer brugeren om at der er vigtige instruktioner om betjening, vedligeholdelse og service i den medfølgende litteratur.

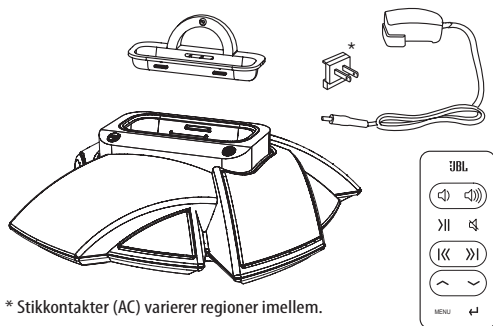
ADVARSEL: For at reducere risiko for ild eller elektrisk stød, må apparatet ikke udsættes for regn eller fugt.

VIGTIG BEMÆRKNING VEDRØRENDE ALLE ELEKTRONISKE PRODUKTER:

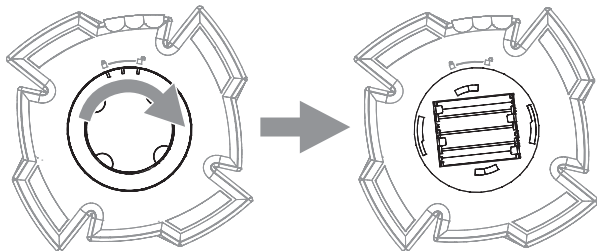
Inden der tilsluttes eller fjernes signalkabler ved apparatets hovedtelefonstik eller linieindgange, er det god praksis at slukke for enheden først. Dette vil forlænge enhedens levetid, beskytte enheden mod statisk elektricitet og forhindre potentiel beskadigelse.

JBL ON STAGE® MICRO III LET INSTALLATIONSVEJLEDNING

1. Pak forsigtigt højtalerdocken ud og kontroller, at alle nedenfor viste ting findes: JBL On Stage® Micro III Speaker Dock, strømforsyning, fjernbetjening og iPod/iPhone adapter.



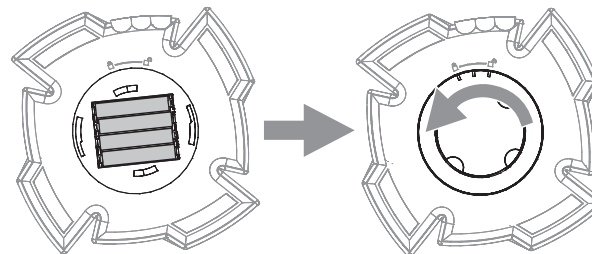
2. Drej batteridækslet til ulåst stilling og fjern det.



3. Anbring fire AAA batterier i rummet. Følg polariteten, der er angivet på batterirummets inderside.

BEMÆRKNINGER VEDRØRENDE BRUG AF BATTERI:

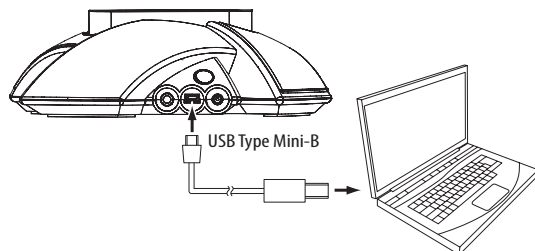
- Hvis du bruger genopladelige batterier, skal du sikre, at de alle er fuldt opladede, inden de anbringes. JBL On Stage Micro III oplader ikke genopladelige batterier.
 - Hvis du bruger almindelige batterier, skal du kontrollere, at de alle er nye.
 - Sammenbland ikke genopladelige og almindelige batterier. Sammenbland ikke typer.
 - Status LED lysdioden lyser *orange*, når batterierne skal udskiftes.
4. Genanbring batteridækslet og drej til låst stilling.



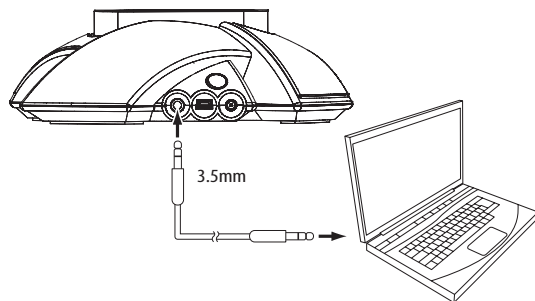
- Bland ikke forskellige batteri-typer.
- Bland ikke batterier, der er opladte med delvist opladte batterier.
- Batterier vil ikke blive genopladt, mens de sidder i JBL On Stage Micro III.

Advarsel: Risiko for batteriekspllosion ved isætning af forkert type. Batterier bortskaffes på miljømæssigt forsvarlig vis.

5. Forbind et USB Type Mini-B kabel (medfølger ikke) til JBL On Stage Micro III's USB port og til USB porten på computeren, hvor iTunes findes.



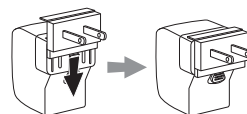
6. Hvis du vil bruge JBL On Stage Micro III med en anden lydkilde, skal du forbinde den ene ende af et 3,5mm stereokabel (medfølger ikke) til Audio In stikket og den anden ende til lydkiildens lyd-ud eller hovedtelefoner-ud stik.



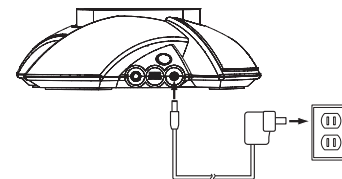
VIGTIGT: Hvis du afspiller via en docket iPod/iPhone og en lydkilde forbundet til Audio In stikket samtidigt, høres de to output ligeledes samtidigt gennem JBL On Stage Micro III. For kun at høre én kilde, skal du slukke manuelt for den kilde, som du ikke vil høre.

7. Anbring den medfølgende strømadapter i stikkontakten (hvis der er mere end én adapter, skal du bruge den, der passer til dit område). Forbind derefter strømforsyningen til JBL On Stage Micro III's 6V DC In stik og derefter det hele til en AC stikkontakt.

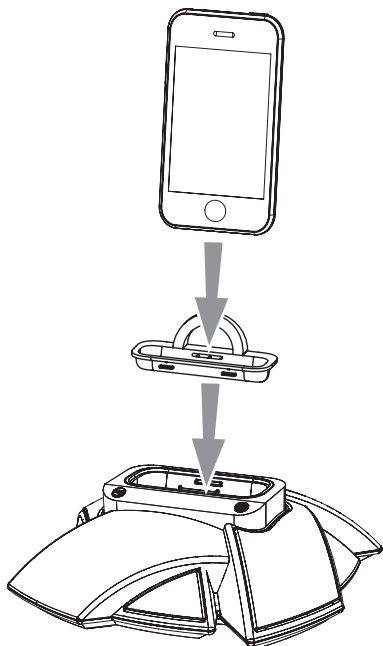
1.



2.

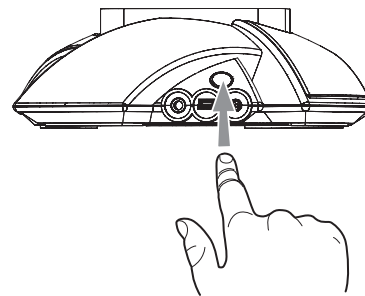


8. Anbring den passende iPod/iPhone adapter i JBL On Stage Micro III's iPod og anbring iPod/iPhone i dockingkonnektoren. Kontroller, at iPod/iPhone er korrekt anbragt i konnektoren.

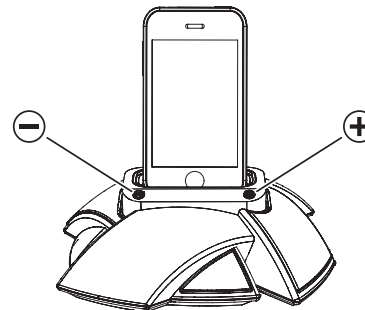


BEMÆRK: Hvis den kan anvendes, så brug adapteren, der fulgte med iPod eller iPhone.

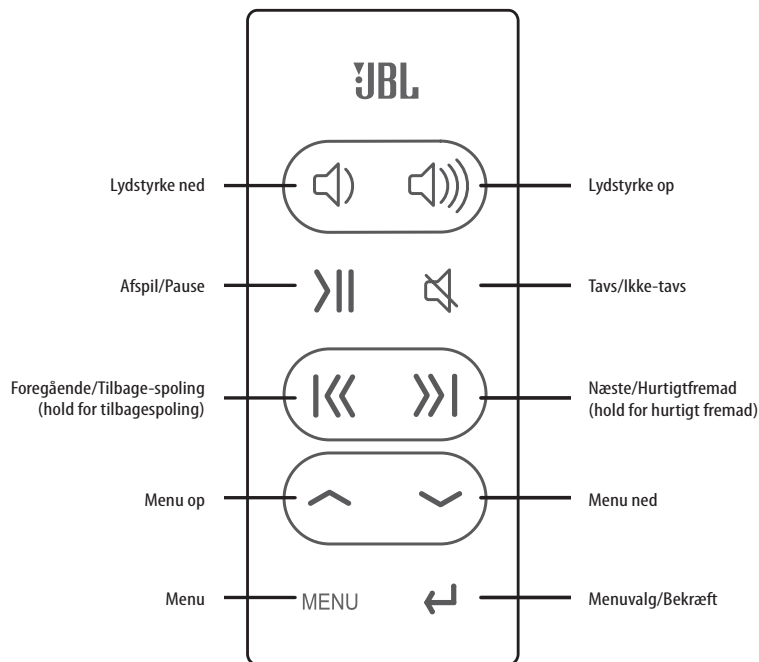
9. Tryk på JBL On Stage Micro III's Tænd/Sluk kontakt. Apparats status LED lyser *hvidt*, når systemet er tændt.



10. Indstil lydstyrken med (+) og (-) knapperne. Tryk på begge knapper for at fjerne lyden og tryk på en af dem for at få den tilbage.



KNAPPER PÅ FJERNBETJENING



BEMÆRK: iPod touch og iPhone menunavigering kan kræve, at du manuelt sætter iPod/iPhone i musiktilstand.

STATUS LED

JBL On Stage Micro III's LED viser forskellige farver for at angive apparatets status:

| LED Display | State |
|-----------------|---|
| Hvid - konstant | JBL On Stage Micro III er tændt |
| Hvid - blinker | JBL On Stage Micro III er tavs |
| Gul - konstant | Lavt batteri |
| Gul - blinker | JBL On Stage Micro III er tavs og lavt batteri |
| Ingen LED | JBL On Stage Micro III er i Standby eller slukket |

SYNKRONISERING MED iTunes

BEMÆRK: Inden du forsøger at synkronisere din iPod/iPhone med iTunes, skal du tjekke, at både iPod/iPhone og iTunes er opdateret til den seneste software-version.

Inden du forsøger at synkronisere, skal du tjekke, at JBL On Stage Micro III's USB port er forbundet til computeren, på hvilken iTunes findes.

1. Anbring iPod/iPhone på JBL On Stage Micro III's docking-konnektor. Kontroller, at iPod/iPhone er korrekt anbragt i konnektoren.
2. Brug computerens iTunes software til at synkronisere iPod/iPhone med iTunes.
3. Når du har synkroniseret, fjern iPod/iPhone fra iTunes.

iPod/iPhone OPLADNING

JBL On Stage Micro III vil oplade en docket iPod/iPhone under følgende forhold:

- Når JBL On Stage Micro III drives af AC strømadapteren
- Når JBL On Stage Micro III er forbundet til en computer med et USB kabel

JBL On Stage Micro III vil ikke oplade en docket iPod/iPhone, når der køres på batteri, medmindre den også er forbundet til en computer med et USB kabel.

BRUG AF JBL ON STAGE MICRO III MED BATTERI

Når du har anbragt batterier som anført i *JBL On Stage Micro III Nem Installationsvejledning – Trin 3*, på side 89, kan du fjerne JBL On Stage Micro III's strømadapter, hvorefter apparatet vil køre på batteri.

Når der køres på batteri, går JBL On Stage Micro III automatisk i standby, når systemet ikke har registreret lydssignaler inden for de seneste 5 minutter. Når der registreres et lydssignal, går systemet tilbage til normal drift, og LED lyser.

Når JBL On Stage Micro III kører på lysnet, skifter den automatisk til standby, når systemet ikke har registreret noget audiosignal i 10 minutter. Som beskrevet herover, skifter den til normal drift, når den registrerer et audiosignal, hvorefter LED indikatoren lyser op.

Bemærkninger vedrørende batteridrift:

- JBL On Stage Micro III oplader ikke genopladelige batterier.
- JBL On Stage Micro III vil ikke oplade en docket iPod/iPhone, når der køres på batteri, medmindre den også er forbundet til en computer med et USB kabel.

FEJLFINDING PÅ DIN JBL ON STAGE MICRO III

| PROBLEM | LØSNING |
|---|--|
| Ingen lyd (hvid LED lyser ikke): | <ul style="list-style-type: none">• Kontroller, at strømforsyningen er korrekt forbundet til JBL On Stage Micro III og til en virkende stikkontakt.• Hvis der køres på batteri, udskift alle fire batterier med helt nye almindelige eller nyligt genopladede batterier. LED lyser <i>orange</i>, hvis batterierne skal udskiftes.• JBL On Stage Micro III er i energisparetilstand (der er ikke registreret lyd indenfor de seneste 10 minutter). |
| Ingen lyd (hvid LED lyser): | <ul style="list-style-type: none">• Tryk på Volume Up (+) knappen for at øge lyden.• Hvis der bruges en docket iPod/iPhone, skal du sikre, at den er korrekt docket i JBL On Stage Micro III.• Hvis du bruger en ekstra kilde, skal du sikre, at lydkablet er korrekt forbundet til JBL On Stage Micro III's Audio In stik og til kilde-enhedens lydudgang.• Kontroller, at iPod eller kilde-enheden ikke er i Pause tilstand og, at der ikke er skruet helt ned for lyden. |
| Lyd knaser, hvisler eller er forvrænget: | <ul style="list-style-type: none">• Skru ned for iPod's eller kilde-enhedens lydstyrke.• Kontroller, at iPod's EQ indstilling er på "Off" ("Slukket"). |
| Høj brummen eller summen: | <ul style="list-style-type: none">• Kontroller, at lydkablet sidder korrekt i lydindgang-stikket.• Udskift lydkablet.• Afbryd strømforsyningen og forbind til en anden stikkontakt. |

PROBLEM

Den maksimale lydstyrke er nedsat:

Kun lyd i én af højttalerne:

LØSNING

- JBL On Stage Micro III er i batterispare-tilstand. Skift til AC strøm (lysnet) for at opnå en bedre ydelse.
- Kontroller, at iPod/iPhone sidder korrekt i docking-konnektoren.
- Kontroller, at lydkablet sidder korrekt i lydindgang-stikket.
- Kontroller, at lydkablet er et stereokabel.

SPECIFIKATIONER

| | |
|------------------------|---|
| Kompatibilitet: | Docking-versioner af iPod (inklusive iPod nano 5. generation, iPod touch 2. generation, iPod nano 4. generation, iPod classic, iPod touch 1. generation, iPod nano 3. generation, iPod nano 2. generation, iPod 5. generation, iPhone 4GB, 8GB, 16GB, iPhone 3G 8GB, 16GB, iPhone 3GS 16GB, 32GB, MP3 og cd-afspillere, desktop og bærbare computere (alle platforme) |
| Transducere: | 2 x 1" (25mm) JBL Odyssey™ fuldt område |
| Strøm: | 2 w x 2 |
| Frekvensgang | 110Hz – 20kHz |
| Signal/Støj Forhold | 63dB |
| Input-impedans (aux) | 3k ohm |
| Indgangstilslutninger: | Hovedtilslutning – iPod og iPhone docking-konnektor, Aux input-forbindelse – 3,5mm (1/8") stereo ministik |
| Batterikrav: | 4 x AAA, NiMh eller alkaliske |
| Strømkraft: | 6V DC (jævnstrøm), 1.5A |
| Strømforsyning: | 10W (maksimum) |
| Mål (D x B x H): | 168mm x 168mm x 54mm (6-5/8" x 6-5/8" x 2-1/4") |
| Vægt: | 0.36kg (0.8 lb) |
| Farver: | Sort; hvid |



HARMAN Harman Consumer, Inc.
8500 Balboa Boulevard, Northridge, CA 91329 USA

www.JBL.com

© 2010 Harman International Industries, Incorporated. Alle rettigheder forbeholdes.

Der forbeholdes ret til ændring af beskrivelse, specifikationer og udseende uden varsel.

JBL varemærket tilhører Harman International Industries, Inc., registreret i USA og/eller andre lande. Odyssey varemærket tilhører Harman International Industries, Incorporated.

* Varemærket On Stage benyttes med tilladelse fra OSA International, Inc.

iPhone, iPod touch, iPod classic, iPod nano, og iTunes er varemærker tilhørende Apple Inc., registreret i USA og andre lande. iPod/iPhone medfølger ikke.

“Made for iPod” (“Fremstillet for iPod”) og “Made for iPhone” (“Fremstillet for iPhone”) betyder, at et elektronisk apparat er blevet designet til specielt at forbinde til henholdsvis iPod og iPhone og er blevet certificeret af udvikleren, at det opfylder Apple’s ydelsesstandarder. Apple er ikke ansvarlig for driften af dette apparat eller dets overholdelse af sikkerheds- og lovmæssige standarder.

DANSK

JBL ON STAGE^{®*} MICRO III

Høytalerdokk for iPod/iPhone



iPhone/iPod ikke inkluder

BRUKERVEILEDNING

VIKTIGE SIKKERHETSANVISNINGER

1. Les disse anvisningene.
2. Oppbevar disse anvisningene.
3. Respekter alle advarslene.
4. Følg alle anvisningene.
5. Bruk ikke dette apparatet nær vann.
6. Rengjøres kun med en tørr klut.
7. Blokker ikke ventilasjonsåpningene. Må installeres i henhold til produsentens anvisninger.
8. Må ikke installeres nær varmekilder som radiatorer, varmeovner, komfyrer eller andre apparater (inkludert forsterkere) som produserer varme.
9. Handlinger som reduserer sikkerhetsintensjonen i det polariserte støpslet eller jordstøpslet må ikke utføres. Et polarisert støpsel har to plugger, den ene bredere enn den andre. Et jordet støpsel har to plugger og en tredje jordingsplugg. Den brede pluggen eller den tredje pluggen er der med tanke på din sikkerhet. Dersom pluggene ikke passer inn i stikkkontakten, ta kontakt med en elektriker for å bytte den gamle kontakten.
10. Beskytt strømledningen slik at den ikke trækkes på eller kommer i klem, særlig støpslene, skjøteledninger og der hvor ledningene går ut fra apparatet.
11. Bruk kun tilbehør/ekstraustyr spesifisert av produsenten.
12. Må kun benyttes med mobil enhet, reol, trefot, beslag eller bord som spesifisert av produsent eller solgt med apparatet. Når en mobil enhet benyttes, vær forsiktig når enheten/apparatet flyttes slik at den ikke velter og forårsaker personskade.
13. Trekk ut støpslet ved tordenvær eller hvis apparatet ikke benyttes i lengre perioder.



14. All service må utføres av kvalifisert personell. Service er nødvendig når apparatet har blitt skadet, for eksempel dersom strømledningen eller støpslet er skadet, ved væskesøl eller hvis en gjenstand har falt inn i apparatet, hvis apparatet har blitt utsatt for regn eller fuktighet, ikke fungerer normalt eller har falt i gulvet.
15. Apparatet må ikke utsettes for drypp eller sprut, og sørg for at ingen væskefylte gjenstander som for eksempel vaser plasseres på apparatet.
16. For å koble apparatet fullstendig fra strømtilførselen, trekk støpslet ut fra stikkkontakten.
17. Støpslet på strømledningen må alltid være i god stand.
18. Batteriene må ikke utsettes for ekstrem varme fra for eksempel sol, brann eller liknende.

Symbolet med et lynglimt og en pil i en likesidet trekant benyttes for å varsle brukeren om uisolert "farlig spenning" rundt produktet som kan være kraftig nok til å utgjøre en risiko for elektrisk støt mot mennesker.



Utropstegnet i en likesidet trekant har til hensikt å varsle brukeren om viktige drifts- og vedlikeholdsmessige (servicerelaterte) anvisninger i håndbøkene som leveres med produktet.

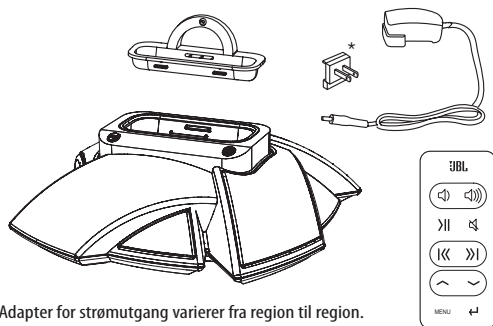


ADVARSEL: For å redusere risikoen for brann eller elektrisk støt, må ikke apparatet utsettes for regn eller fuktighet.

VIKTIG MERKNAD OM ALLE ELEKTRONISKE PRODUKTER: Før lyd kabler plugges inn eller trekkes ut fra kildeenhetens hodetelefon- eller linjeutganger, bør enheten først slås av. Dette vil forlenge enhetens levetid, hjelpe til å beskytte apparatet mot statisk elektrisitet, og forhindre mulig skade.

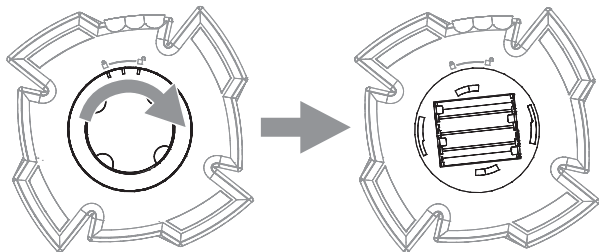
JBL ON STAGE** MICRO III ENKEL OPPSTARTSVEILEDNING

1. Pakk forsiktig opp din høyttalerdokk og sjekk at alle delene her er med: JBL On Stage** Micro III Høyttalerdokk, strømforsyning, fjernkontroll og adapter for iPod/iPhone.



* Adapter for strømutfgang varierer fra region til region.

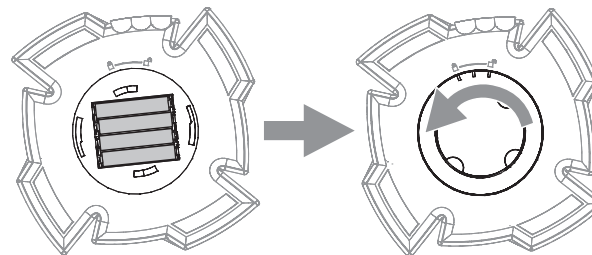
2. Vri batterilokket til åpen posisjon og ta det av.



3. Sett inn fire AAA-batterier i batterirommet. Legg merke til batterienes polaritet som merket på innsiden av batterirommet.

MERKNADER OM BRUK AV BATTERI:

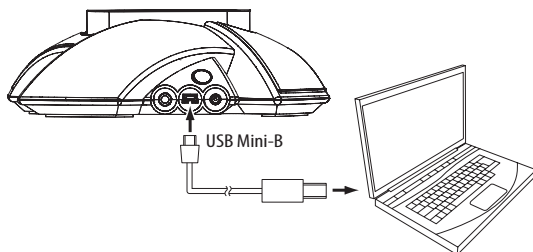
- Hvis du bruker oppladbare batterier, må du sikre at alle batteriene er fullt oppladdet før du setter dem inn. JBL On Stage Micro III lader ikke opp oppladbare batterier.
 - Hvis du bruker vanlige batterier, må du sikre at alle er nye.
 - Ikke bruk vanlige batterier sammen med oppladbare. Bruk bare like batterier.
 - Status-LED vil lyse *oransje* når batteriene må lades/ byttes
4. Sett tilbake batterilokket og vri til låst posisjon.



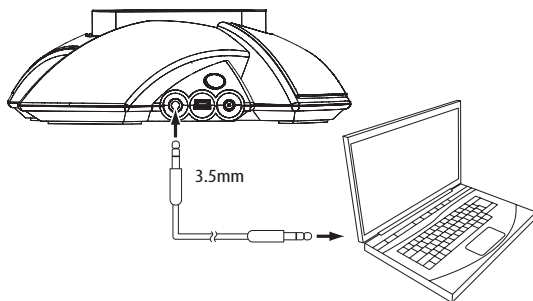
- Ikke bland batterityper
- Ikke bland ladde og delvis ladde batterier.
- Batteriene blir ikke ladet opp i jbl on stage micro iii.

CAUTION: fare for eksplosjon av batteriet dersom det erstattes med ukorrekt type. Batteriet må avhendes på forsvarlig måte i henhold til gitte retningslinjer for spesialavfall.

5. Koble til en USB Mini-B kabel (ikke inkludert) til JBL On Stage Micro III's USB-utgang og til en USB-utgang på datamaskinen som din iTunes er på.

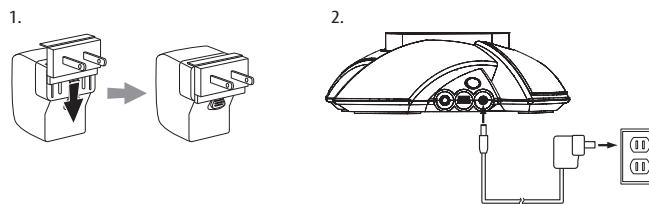


6. Hvis du skal bruke JBL On Stage Micro III med en annen lydkilde, koble en ende av en 3,5 mm stereokable (ikke inkludert) i Audio In-utgangen, og koble den andre enden inn i lydkildens lydutgang eller hodetelefonutgangen.

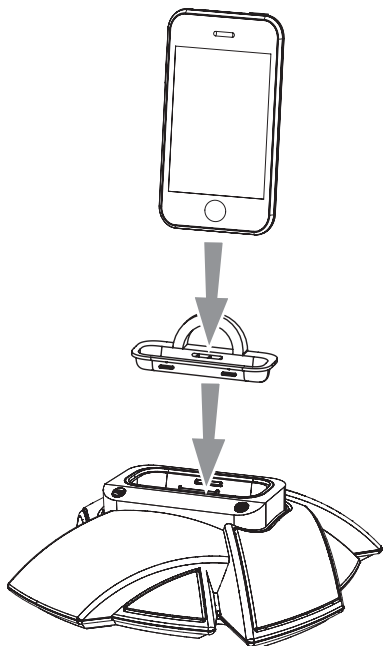


VIKTIG: Hvis du spiller av lyd gjennom en iPod/iPhone i dokken og en lydkilde koblet til Audio In-utgangen samtidig, vil du høre begge utgangene blandet gjennom JBL On Stage Micro III. For å høre bare en kilde må du manuelt slå av kilden du ikke ønsker å høre.

7. Koble til det inkluderte strømutsangsadapteret helt inn i strømforsyningen (hvis det er mer enn et adapter, må du koble til det som er riktig i din region. Så kobler du til strømforsyningen i JBL On Stage Micro III's 6V strøminngang og kobler til en stikkontakt i veggen.

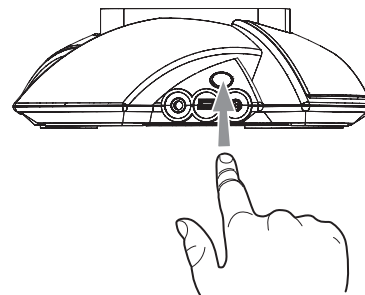


8. Sett det riktige adapteret for iPod/iPhone i JBL On Stage Micro IIIs iPod-brønn og plasser din iPod/iPhone på dokkingen. Kontroller at din iPod/iPhone er koblet helt inn i tilkoblingen.

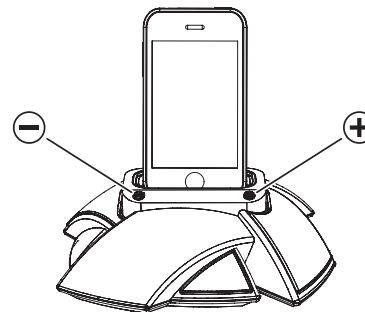


MERK: Hvis mulig, bruk adapteren som fulgte med din iPod eller iPhone.

9. Trykk på On/Off-knappen på JBL On Stage Micro III. Enhetens statuslampe vil lyse *hvitt* når systemet er på.

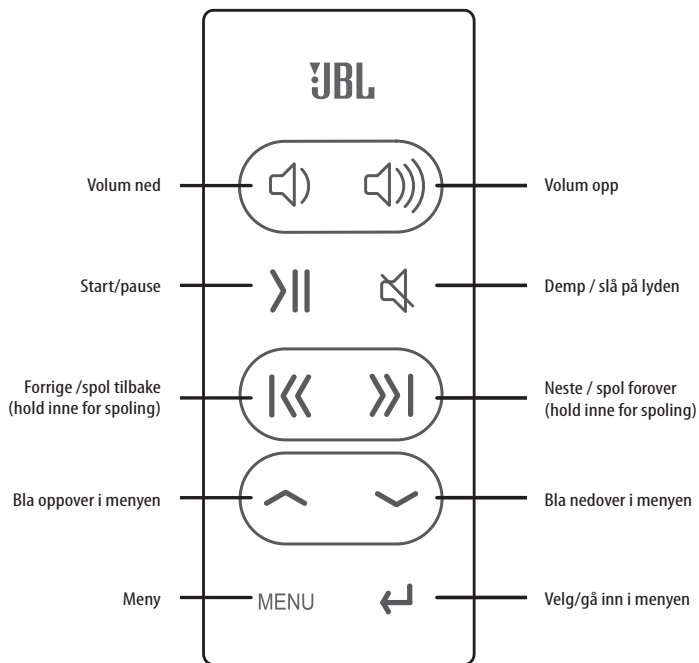


10. Juster volumet ved hjelp av (+) og (-) knappene. Trykk på begge knappene for å slå av lyden; trykk på en av dem for å slå den på igjen.



10155K

FJERNKONTROLLKNAPPER



Merk: iPod touch og iPhones meny navigering kan kreve at du manuelt setter iPod/iPhone i musikkmodus.

STATUSLAMPE

Din JBL On Stage Micro IIIs lampe vil vise forskjellige farger for å indikere enhetens status:

| DISPLAY | STATUS |
|------------------|---|
| Hvit - konstant | JBL On Stage Micro III er på |
| Hvit - blinkende | JBL On Stage Micro III er dempet |
| Gul - konstant | Lavt batterinivå |
| Gul - blinkende | JBL On Stage Micro III er dempet og batterinivået er lavt |
| Ingen lys | JBL On Stage Micro III er i hvilemodus eller slått av |

SYNKRONISERE MED iTunes

MERK: Før du forsøker å synkronisere din iPod/iPhone med iTunes må du kontrollere at både iPod/iPhone og iTunes er oppdatert med siste tilgjengelige programvare.

Før du forsøker å synkronisere må du sikre at JBL On Stage Micro IIIs USB-port er koblet til datamaskinen der din iTunes er installert.

1. Sett din iPod/iPhone i JBL On Stage Micro IIIs dokkingkontakt. Kontroller at din iPod/iPhone er koblet helt inn i tilkoblingen.
2. Bruk iTunes på din datamaskin for å synkronisere iPod/iPhone med iTunes.
3. Når du er ferdig med å synkronisere kan du koble fra iPod/iPhone fra iTunes.

iPod/iPhone LADING

JBL On Stage Micro III vil lade en dokket iPod/iPhone under disse forhold:

- Når JBL On Stage Micro III blir drevet av strømadapteren
- Når JBL On Stage Micro III er koblet til en datamaskin med en USB-kabel

JBL On Stage Micro III vil ikke lade en dokket iPod/iPhone når den går på batteristrøm med mindre den også er koblet til en datamaskin med en USB-kabel.

BRUKE DIN JBL ON STAGE MICRO III PÅ BATTERISTRØM

Hvis du har satt inn batterier som forklart i *JBL On Stage Micro III Enkel oppstartsveiledning – Trinn 3*, på side 101, kan du koble fra JBL On Stage Micro IIIs strømadapter, og enheten vil bli drevet på batteristrøm.

Når den går på batteristrøm, vil JBL On Stage Micro III automatisk gå i hvilemodus etter at systemet ikke har oppdaget lydsignaler på 5 minutter. Når det igjen blir oppdaget et lydsignal, vil systemet gå tilbake til normal drift, og lampen vil begynne å lyse.

Når den kjører på vekselstrøm, vil JBL On Stage Micro III automatisk gå inn i standbymodus etter at systemet ikke oppdager noe lydsignal innen 10 minutter. Som over, vil den gå tilbake til normal drift når et audiosignal oppdages, og LED-lyset vil lyse.

Merknader om batteridrift:

- JBL On Stage Micro III lader ikke opp oppladbare batterier.
- JBL On Stage Micro III vil ikke lade en dokket iPod/iPhone når den går på batteristrøm med mindre den også er koblet til en datamaskin med en USB-kabel.

PROBLEMLØSNING PÅ DIN JBL ON STAGE MICRO III

| PROBLEM | LØSNING |
|--|---|
| Ingen lyd (hvit lampe lyser ikke): | <ul style="list-style-type: none">• Sikre at strømforsyningen er skikkelig koblet til JBL On Stage Micro III og til en veggkontakt som fungerer.• Bytt ut alle fire batterier med helt nye eller oppladede batterier hvis du bruker batteristrøm. Det lyser oransje når batteriene må skiftes/lades• JBL On Stage Micro III er i strømsparemodus (ingen lyd ble oppdaget på minst 10 minutter). |
| Ingen lyd (hvit lampe lyser): | <ul style="list-style-type: none">• Trykk på Volum opp (+)-knappen for å øke systemet lydstyrke.• Hvis du bruker en dokket iPod/iPhone må du sikre at den sitter skikkelig i JBL On Stage Micro III.• Hvis du bruker en tilleggskilde må du sikre at lyd kabelen er skikkelig tilkoblet JBL On Stage Micro IIIs Audio In-tilkobling og til kildekomponentens lydutgang.• Sikre at iPod eller kildekomponenten ikke står på pause, og at dens volum ikke er skrudd helt av. |
| Lyden knitrer, suser eller er fordreid: | <ul style="list-style-type: none">• Skru iPod eller kildekomponentens volum ned.• Sikre at iPods equalizer er slått av. |
| Høy summing eller susing: | <ul style="list-style-type: none">• Sikre at lyd kabelen er koblet helt inn i kontakten for lydinnang.• Skift ut lyd kabelen.• Koble fra strømforsyningen og koble den til en annen veggkontakt. |

PROBLEM

Maksimalt volumnivå er redusert:

Lyden kommer fra bare en høyttaler:

LØSNING

- JBL On Stage Micro III er i batterisparemodus (BCM). Gå over på strøm for høyere ytelse.
- Sikre at iPod/iPhone er satt skikkelig ned i dokkingtilkoblingen.
- Sikre at lydkabelen er satt skikkelig inn i Audio In-kontakten.
- Sikre at lydkabelen er en stereokabel.

SPESIFIKASJONER

| | |
|----------------------------|--|
| Kompatibilitet: | Dokkingversjoner av iPod (inkludert 5. generasjon iPod nano, 2. generasjon iPod touch, 4. generasjon iPod nano, iPod classic, 1. generasjon iPod touch, 3. generasjon iPod nano, 2. generasjon iPod nano, 5. generasjon iPod, iPhone 4GB, 8GB, 16GB, iPhone 3G 8GB, 16GB, iPhone 3GS 16GB, 32GB, MP3 og CD-spillere, bærbare datamaskiner (alle plattformer) |
| Strømomformere: | 2 x 1" (25mm) JBL Odyssey™ fullskala |
| Effekt: | 2 watt x 2 |
| Frekvenssvar: | 110Hz – 20kHz |
| Forholdet signal-til-støy: | 63dB |
| Inngangsimpedans (Aux): | 3k ohm |
| Innganger: | Hovedtilkobling - iPod og iPhone dokkingtilkobling; Aux-inngang - 3,5 mm (1/8") stereo mini jack |
| Batterikrav: | 4 x AAA, NiMh eller alkaline |
| Strømkrav: | 6V DC, 1.5A |
| Strømforbruk: | 10W (maksimalt) |
| Mål (H x B x L): | 168mm x 168mm x 54mm (6-5/8" x 6-5/8" x 2-1/4") |
| Vekt: | 0.36kg (0.8 lb) |
| Tilgjengelige overflater: | Svart; hvit |



HARMAN Harman Consumer, Inc.
8500 Balboa Boulevard, Northridge, CA 91329 USA

www.JBL.com

© 2010 Harman International Industries, Incorporated. Alle rettigheter reserved.

Funksjoner, spesifikasjoner og utseende kan endres uten varsel.

JBL er et varemerke som tilhører Harman International Industries, Incorporated, registrert i USA og/eller andre land. Odyssey er et varemerke som tilhører Harman International Industries, Incorporated.

*Varemerket On Stage brukes med tillatelse fra OSA International, Inc.

iPhone, iPod touch, iPod classic, iPod nano, og iTunes are trademarks of Apple, Inc., er varemerke som tilhører Apple Inc., registrert i USA og/eller andre land. iPod/iPhone ikke inkludert.

"Made for iPod" og "Made for iPhone" betyr at et elektronisk apparat har blitt laget for å bli koblet spesielt til iPod og iPhone respektivt, og har blitt sertifisert av utvikleren for å møte Apples ytelsesstandarder. Apple er ikke ansvarlig for bruken av denne enheten eller dens samsvar med sikkerhet- og regulatoriske standarder.

109SK

JBL ON STAGE^{®*} MICRO III

iPod/iPhone-kaiutintelakka



iPod/iPhone ei sisälly tuotteeseen.

KÄYTTÖOHJEET

TÄRKEÄT TURVALLISUUSOHJEET

1. Lue nämä ohjeet
2. Säilytä nämä ohjeet
3. Huomioi kaikki varoitukset
4. Seuraa kaikkia ohjeita
5. Älä käytä laitetta veden lähellä
6. Puhdista vain kuivalla liinalla
7. Älä peitä ilmanvaihtokanavia. Asenna valmistajan ohjeiden mukaisesti.
8. Älä asenna veden tai lämmönlähteiden, kuten pattereiden, lämmittimien, hellojen tai muiden laitteiden, lähellä.
9. Älä unohda polarisoidun tai maadoitetun pistokkeen tarkoitusta. Polarisoitulla pistokkeella on kaksi piikkiä, joista toinen on leveämpi. Maadoitettussa pistokkeessa on kaksi piikkiä ja kolmas maadoitushaara. Leveä piikki tai haara on sinun turvallisuutesi vuoksi. Jos mukana olevat pistokkeet eivät sovi pistorasiasta, kysy sähkömieheltä korvaavaa pistoketta.
10. Suojaa virtajohtoa sen päälle astumiselta tai puristumiselta, erityisesti pistokkeiden, jatkojohtojen ja kohdalla sekä kohdalla, josta johto eroaa laitteesta.
11. Käytä vain valmistajan spesifioimia liitteitä/lisävarusteita.
12. Käytä ainoastaan valmistajan määrittelemää tai laitteen mukana myytävää kääryä, jalustaa, kolmijalkaa, kannatinta tai pöytää. Käytettäessä kääryä, ole varovainen liikuttaessasi kääryä/laiteyhdistelmää välttyäkseen kaatumisesta seuraavilta onnettomuuksilta.



13. Ota tämän laitteen pistoke pois pistorasiasta ukkosilmalla ja kun sitä ei käytetä pitkään aikaan.
14. Viittaa kaikki huolto koulutetuille huoltohenkilöille. Huoltoa tarvitaan, kun laite on vahingoittunut millä tavalla tahansa, kuten virtajohto tai pistoke on vahingoittunut, päälle on kaatunut nestettä tai muita tavaroita, laite on altistunut sateelle tai kosteudelle, se ei toimi normaalisti, tai se on pudotettu.
15. Älä altista tätä laitetta pisaroinnille tai loiskeille ja varmista, ettei mitään nesteillä täytettyä astiaa, kuten vaaseja, ole asetettu laitteen päälle.
16. Kytkeäksesi tämän laitteen täysin verkkovirrasta, irrota virtalähdejohdon pistoke pistorasiasta.
17. Virtalähdejohdon verkkovirtapistoke voi pysyä valmiiksi käytettävänä.
18. Älä altista paristoja tai akkuja auringonpaisteelle, tuulelle tai muulle kuumuudelle.



Kolmion sisällä oleva salamatunnus osoittaa, että laitteen sisällä on eristämättömiä kohtia, joiden suuri jännite saattaa aiheuttaa vaarallisen sähköiskun.



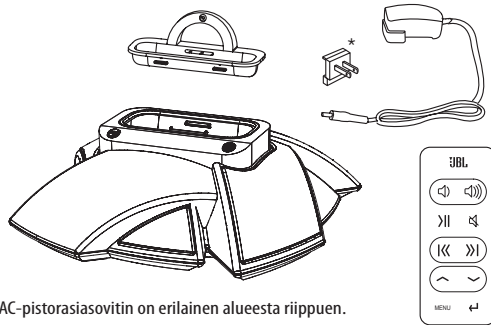
Kolmion sisällä oleva huutomerkki osoittaa, että pakkauksessa on erityisen tärkeitä käyttö- tai huolto-ohjeita kohteeseen liittyen.

VAROITUS: Älä altista laitetta sateelle tai muulle kosteudelle, sillä ne saattavat aiheuttaa tulipalon tai sähköiskun.

TÄRKEÄÄ SÄHKÖLAITTEISIIN LIITTYVÄÄ TIETOA: Virta kannattaa katkaista aina ennen audiokaapeleiden, ohjelmalähteiden, kuulokkeiden tai linjalähtöjen kytkemistä. Tämä käytäntö pidentää järjestelmän käyttöikää ja suojaa laitteista esimerkiksi staattiselta sähköltä.

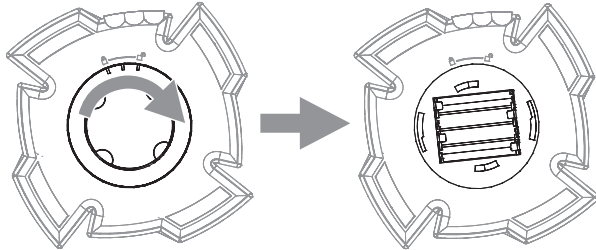
JBL ON STAGE** MICRO III HELPOT ASETUSOHJEET

1. Ota kaiutintelakka pois pakkauksesta ja varmista, että kaikki kuvan osat ovat mukana: JBL On Stage** Micro III kaiutintelakka, virtalähde, kaukosäädin ja iPod/iPhone -sovitin.



* AC-pistorasiasovitin on erilainen alueesta riippuen.

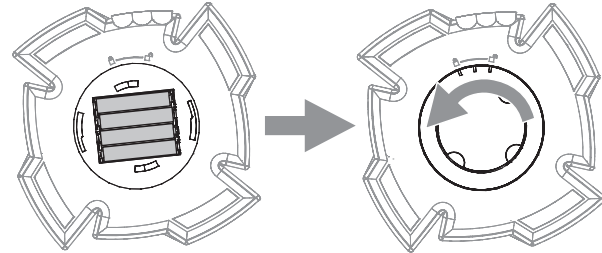
2. Käännä paristoluukku auki-asentoon ja irrota se.



3. Aseta neljä AAA-paristoa lokeroon. Noudata paristolokeroon merkittyä paristojen napaisuutta.

HUOMAUTUKSIA PARISTOISTA:

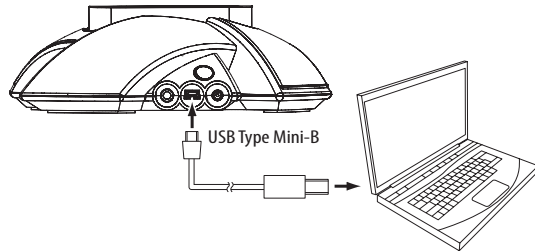
- Jos käytät ladattavia paristoja, varmista, että ne on ladattu täyteen ennen niiden asettamista. JBL On Stage Micro III ei lataa ladattavia paristoja.
 - Jos käytät tavallisia paristoja, varmista, että ne kaikki ovat uusia.
 - Älä sekoita tavallisia ja ladattavia paristoja. Käytä ainoastaan jompaakumpaa tyyppiä.
 - Kun laitteen tila-LED palaa *keltaisena* kun paristot on vaihdettava.
4. Aseta paristoluukku takaisin ja käännä se lukitusasentoon.



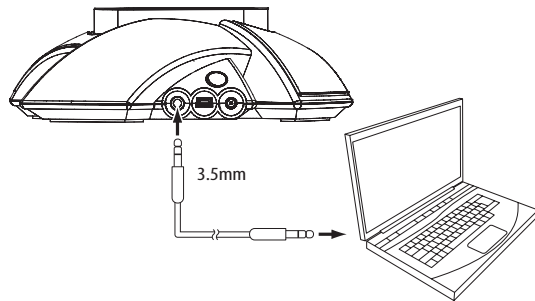
- Älä sekoita erityyppisiä paristoja.
- Älä sekoita ladattuja ja osittain ladattuja paristoja.
- Paristot eivät lataudu jbl on stage micro iii:ssa.

VAROITUS: paristojen räjähdysvaara väärää tyyppiä käytettäessä. Hävitä käytetyt paristot ohjeiden mukaisesti.

5. Liitä USB Type Mini-B johto (ei mukana) JBL On Stage Micro III:n USB-porttiin ja tietokoneen USB-porttiin, johon iTunes on liitetty.



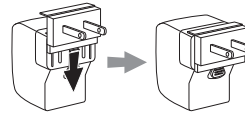
6. Jos käytät JBL On Stage Micro III:a toisen audiolähteen kanssa, liitä stereojohdon toinen pää 3.5 mm (ei mukana) Audio In -liitäntään ja liitä toinen pää audiolähteen out- tai headphone out -liitäntään.



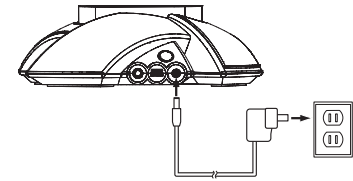
TÄRKEÄÄ: Jos toistat audiota samanaikaisesti telakoidun iPodin/iPhonen ja Audio In -liitäntään liitetyn audiolähteen kautta, kuulet **molemmat** ulostulot sekoitettuna JBL On Stage Micro III:n kautta. Jos haluat kuunnella vain toista lähdettä, sinun on suljettava toinen lähde manuaalisesti.

7. Kiinnitä mukana tuleva AC-pistorasiasovitin kokonaan virtalähteeseen (jos sovitimia on useita, valitse alueellesi tarkoitettu sovitin). Liitä sitten virtalähdeinto JBL On Stage Micro III:n 6V DC In -liitäntään ja kiinnitä se AC-pistorasiaan.

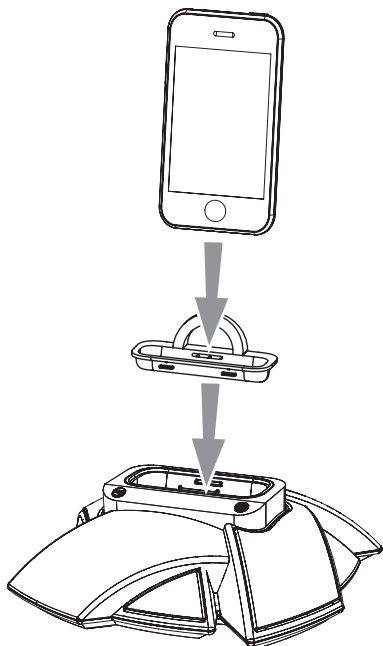
1.



2.

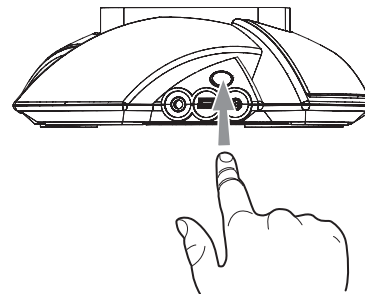


8. Liitä oikea iPod/iPhone -sovitin JBL On Stage Micro III:n iPodiin kunnolla ja aseta iPod/iPhone telakointiliitäntään. Varmista, että iPod/iPhone on kiinnitetty liitäntään kunnolla.

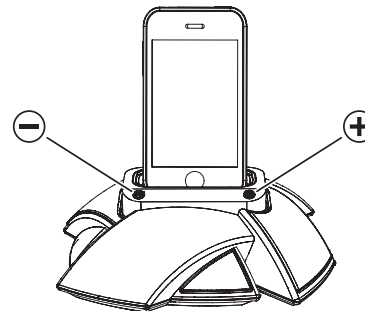


HUOMAUTUS: Käytä tarvittaessa iPodin tai iPhoneen mukana toimitettua sovitinta.

9. Paina JBL On Stage Micro III:n On/Off-painiketta. Laitteen tila-LED palaa *valkoisena* järjestelmän ollessa päällä.

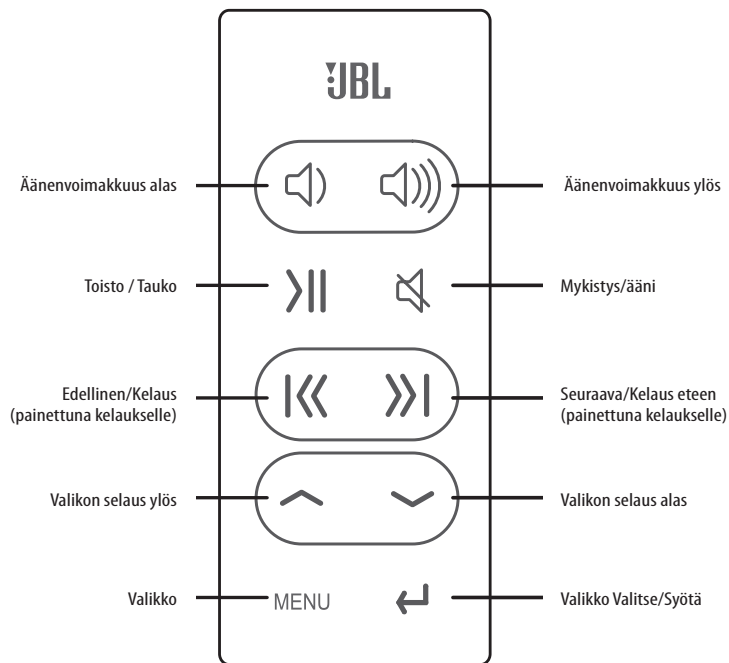


10. Säädä äänenvoimakkuutta (+) ja (-) -painikkeilla. Mykistä ääni painamalla kumpaakin painiketta ja paina jompaakumpaa painiketta palauttaaksesi äänen.



3100M

KAUKOSÄÄTIMEN PAINIKKEET



HUOMAUTUS: iPod touchin ja iPhone:n valikon selaamiseksi iPod/iPhone on mahdollisesti asetettava musiikkitilaan.

TILA-LED

JBL On Stage Micro III:n LED palaa eri värisenä eri tiloissa:

| LED-NÄYTTÖ | TILA |
|---------------------|--|
| Valkoinen – palaa | JBL On Stage Micro III on päällä |
| Valkoinen – vilkkuu | JBL On Stage Micro III on mykistetty |
| Keltainen – palaa | Alhainen paristo |
| Keltainen – vilkkuu | JBL On Stage Micro III on mykistetty ja alhainen paristo |
| Ei LED-valoa | JBL On Stage Micro III valmiustilassa tai pois päältä |

SYNKRONOINTI iTunes'n KANSSA

HUOMAUTUS: Ennen kuin synkronoit iPodin/iPhonen iTunes'n kanssa varmista, että sekä iPod/iPhone ja iTunes on päivitetty viimeisimpään ohjelmistoversioon.

Varmista ennen synkronointia, että JBL On Stage Micro III:n USB-portti on liitetty tietokoneeseen, jossa iTunes sijaitsevat.

1. Aseta iPod/iPhone JBL On Stage Micro III:n telakkaliitintään. Varmista, että iPod/iPhone on kiinnitetty liitintään kunnolla.
2. Käytä tietokoneesi iTunes-ohjelmistoa synkronoidaksesi iPodin/iPhonen iTunes'n kanssa.
3. Kun synkronointi on suoritettu, poista iPod/iPhone iTunes'sta.

iPod/iPhone LATAAMINEN

JBL On Stage Micro III lataa telakoidun iPodin/iPhonen näillä ehdoilla:

- JBL On Stage Micro III saa virtaa AC-virtasovittimelta
- JBL On Stage Micro III on liitetty tietokoneeseen USB-johdon kautta

JBL On Stage Micro III ei lataa telakoitua iPodia/iPhonea paristovirralla, jollei sitä ole liitetty myös tietokoneeseen USB-johdolla.

OPERATING YOUR JBL ON STAGE MICRO III ON BATTERY POWER

Jos olet asettanut paristot JBL On Stage Micro III helpon asetusoppaan kohdassa 3 (sivu 113) esitetyllä tavalla, voit irrottaa JBL On Stage Micro III:n virtasovittimen ja yksikkö toimii paristovirralla.

Paristovirralla käytettäessä JBL On Stage Micro III siirtyy automaattisesti valmiustilaan, kun yksikkö ei ole havainnut audiosignaalia 5 minuuttiin. Kun järjestelmä havaitsee audiosignaalin, se palaa tavalliseen käyttötilaan ja LED syttyy.

Käytettäessä AC-virralla, JBL On Stage Micro III menee automaattisesti odotustilaan sen jälkeen, kun järjestelmä ei havaitse signaalia 10 minuuttiin. Kuten yllä se palaa normaaliin toimintaan havaittuaan audiosignaalin ja LED syttyy.

Huomautuksia paristovirran käytöstä:

- JBL On Stage Micro III ei lataa ladattavia paristoja.
- JBL On Stage Micro III ei lataa telakoitua iPodia/iPhonea paristovirralla, jollei sitä ole liitetty myös tietokoneeseen USB-johdolla.

JBL ON STAGE MICRO III VIANETSINTÄ

ONGELMA

RATKAISU

Ei ääntä (valkoinen led ei pala):

- Varmista, että virtalähde on liitetty kunnolla JBL On Stage Micro III:n ja toimivaan AC-pistorasiaan.
- Jos käytät paristovirtaa, vaihda neljä paristoa uusiin kertakäyttöisiin tai juuri ladattuihin ladattaviin paristoihin. Kun laitteen tila-LED palaa keltaisena kun paristot on vaihdettava.
- JBL On Stage Micro III on virransäästötilassa (ääntä ei havaittu 10 minuuttiin).

Ei ääntä (valkoinen led palaa):

- Lisää äänenvoimakkuutta (+) -painikkeella.
- Jos käytät telakoitua iPodia/iPhonea, varmista, että se on telakoitu kunnolla JBL On Stage Micro III:n.
- Jos käytät lisälähdettä, varmista, että audiokaapeli on kiinnitetty kunnolla JBL On Stage Micro III:n Audio In -liitäntään ja lähdelaitteen audioulostuloon.
- Varmista, että iPod tai lähde laite ei ole taukotilassa, ja että äänenvoimakkuutta ei ole käännetty alas.

ääni rätisee, suhisee tai on vääristynyt:

- Käännä iPodin tai lähdelaitteen ääni alas.
- Varmista, että iPodin EQ-asetus on asetettu "pois."

voimakasta huminaa tai suhinaa:

- Varmista, että audiojohto on kiinnitetty kunnolla audio Input -liitäntään.
 - Vaihda audiojohto.
 - Irrota virtalähde ja liitä se toiseen AC-ulostuloon.
-

ONGELMA

Maksimiäänvoimakkuus on alentunut:

Ääni tulee vain yhdestä kuulokkeesta:

RATKAISU

• JBL On Stage Micro III on paristojen säästötilassa. Siirry AC-virtaan parantaaksesi toimintaa.

• Varmista, että iPod/iPhone on kiinnitetty liitäntään kunnolla telakkaliitäntään

• Varmista, että audiojohto on kiinnitetty kunnolla Audio In -liitäntään.

• Varmista, että audiojohto on stereojohto.

TEKNISET TIEDOT

| | |
|-------------------------|--|
| Yhdenmukaisuus: | iPod-telakkaversiot (mukaan lukien iPod nano 5th generation, iPod touch 2nd generation, iPod nano 4th generation, iPod classic, iPod touch 1st generation, iPod nano 3rd generation, iPod nano 2nd generation, iPod 5th generation, iPhone 4GB, 8GB, 16GB, iPhone 3G 8GB, 16GB, iPhone 3GS 16GB, 32GB, MP3 ja CD-soittimet, kannettavat ja pöytätietokoneet (kaikki sovellusalustat) |
| Muuntimet: | 2 x 1" (25mm) JBL Odyssey™ full-range |
| Virta: | 2 wattia x 2 |
| Taajuusvaste: | 110Hz – 20kHz |
| Signaali-kohinasuhde: | 63dB |
| Syöttöimpedanssi (Aux): | 3k ohms |
| Sisääntuloliitännät: | Pääliitäntä – iPod ja iPhone telakointiliitäntä; Aux input liitäntä – 3.5 mm (1/8") stereo miniliitäntä |
| Paristovaatimukset: | 4 x AAA, NiMh tai alkalinen |
| Tehovaatimukset: | DC 6V, 1.5A |
| Virrankulutus: | 10W (maksimi) |
| Mitat (S x L x K): | 168mm x 168mm x 54mm (6-5/8" x 6-5/8" x 2-1/4") |
| Paino: | 0.36kg (0.8 lb) |
| Saatavilla: | Musta, valkoinen |



HARMAN Harman Consumer, Inc.
8500 Balboa Boulevard, Northridge, CA 91329 USA

www.JBL.com

© 2010 Harman International Industries, Incorporated. Kaikki oikeudet pidätetään.

Ominaisuuksia, teknisiä tietoja ja ulkoasua voidaan muuttaa ilman erillistä ilmoitusta.

JBL on Harman International Industries, Incorporatedin tavaramerkki, joka on rekisteröity Yhdysvalloissa ja/tai muissa maissa. Odyssey on Harman International Industries, Incorporatedin tavaramerkki.

*On Stage -tavaramerkkiä käytetään OSA International, Inc. -yrityksen luvalla.

iPhone, iPod touch, iPod classic, iPod nano, ja iTunes on Yhdysvalloissa ja muualla rekisteröity tavaramerkki, jonka omistaa Apple Inc. iPod/iPhone ei sisälly tuotteeseen.

“Made for iPod” ja “Made for iPhone” tarkoittavat, että sähköinen lisälaitte on suunniteltu käytettäväksi erityisesti iPodin ja iPhoneen kanssa, ja että ne on sertifioitu vastaamaan Applen toimintastandardeja. Apple ei ole vastuussa tämän laitteen toiminnasta eikä sen yhdenmukaisuudesta turvallisuus- ja säädöstenmukaisten standardien kanssa.

JBL ON STAGE^{®*} MICRO III

iPod/iPhone 용 도크 스피커



Made for
iPod iPhone



iPod/iPhone 은 포함되지
않습니다.

사용 설명서

중요한 안전지침사항

- 이 설명서를 잘 읽으십시오.
- 이 설명서를 보관하십시오.
- 모든 경고사항에 유의하십시오.
- 모든 지침사항을 지키십시오.
- 물 가까이에서 이 기구를 사용하지 마십시오.
- 건조한 형질로만 닦으십시오.
- 통풍구를 막지 마십시오. 제조자의 설명서대로 설치하십시오.
- 열을 방출하는 라디에이터, 난방기, 스토브, 기타 기구 (애플리파이어 포함) 등 열 방사원 가까이에 설치하지 마십시오.
- 안전용 편광이나 접지된 플러그를 분해하지 마십시오. 편광된 플러그는 두개의 날이 있으며 한개는 다른 한개보다 더 넓습니다. 접지된 플러그는 두개의 날이 있으며 세번째의 접지 날이 있습니다. 넓은 날이나 세번째 날은 안전을 위한 것입니다. 제공된 플러그가 전기 코드에 맞지 않는다면 전기공을 불러 맞춰 주는 코드를 바꾸십시오.
- 전기줄위로 걸거나 찌르지 말고 특히 플러그, 용기, 기구에서 나오는 부분을 특히 조심하십시오.
- 제조자가 명시한 부착물/액세서리만을 사용하십시오.
- 제조자가 명시한 카드, 스탠드, 삼각대, 브래킷, 테이블이나 기구와 함께 판매되는 것만을 사용하십시오. 카드를 사용할때는 카드/기구를 함께 움직일때 부상당하거나 옆으로 넘어지는 것에 조심하십시오.
- 천둥번개가 칠때나 오랫동안 사용하지 않을때는 기구의 플러그를 뽑으십시오.



- 기구 서비스는 자격있는 수리공에게 요청하십시오. 전기 코드나 플러그 파손, 액체나 물체의 기구안으로의 침습, 비나 습기 노출, 정상적으로 작동안됨, 또는 떨어뜨린 경우등 기구가 파손됐을 때 서비스가 필요합니다.
- 액체의 흐름이나 튀는 것에 기구를 노출시키지 말고 물병등 액체라 가득 찬 물건을 기구위에 올려놓지 마십시오.
- AC 전원으로로부터 기구를 완전히 차단시키기 위해서는 AC박스로부터 기구의 전기 코드 플러그를 뽑으십시오.
- 전원 플러그는 곧 작동할 수 있도록 준비되어 있어야 합니다.
- 태양광선이나 화재등 과도한 열에 배터리를 노출시키지 마십시오.



등변 삼각형내의 번개 모음이 있는 화살표 심볼은 제품 내에서 사용자에게 전기 쇼크를 줄 수 있을지 모르는 비절연된 “전압위험”의 존재를 경고하기 위한 것입니다.



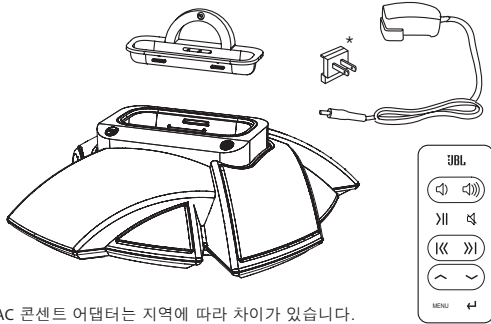
등변 삼각형내의 느낌표는 제품과 함께 제공된 중요한 사용 및 수리 (서비스) 지침서를 알리기 위한 것입니다.

경고: 화재나 전기 쇼크의 위험성을 줄이기 위하여 이 기구를 비나 습기에 노출시키지 마십시오. e.

모든 전기 제품을 위한 중요한 사항: 소스 장치의 헤드폰이나 라인 레벨 출력쪽에 오디오 케이블을 꽂거나 연결을 해제하기 전에 장치의 전원을 먼저 끄는 것이 좋습니다. 이렇게 하면 장치의 수명이 길어지고 정전기로부터 보호되며 기타 손상을 방지할 수 있습니다.

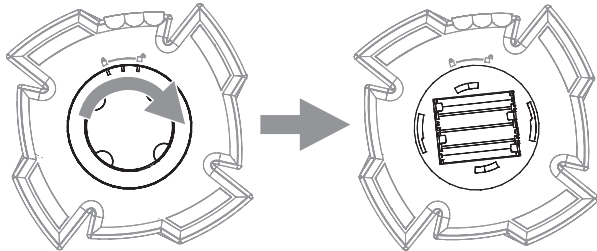
JBL ON STAGE** MICRO III 쉬운 설치 가이드

1. 스피커 도크의 포장을 조심스럽게 개봉한 다음 그림과 같이 JBL On Stage** Micro III 스피커 도크, 전원 공급 장치, 리모콘 및 iPod/iPhone 용 어댑터가 모두 들어 있는지 확인합니다.



* AC 콘센트 어댑터는 지역에 따라 차이가 있습니다.

2. 배터리 덮개를 잠금 해제 위치로 돌려 분리합니다.

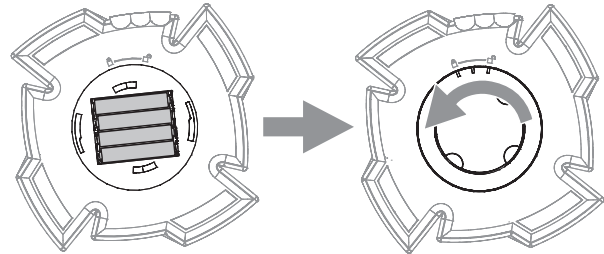


3. AAA 배터리 4개를 배터리 칸에 삽입합니다. 이때 배터리 칸 내부에 표시되어 있는 배터리 극성에 주의합니다.

배터리 사용에 대한 참고:

충전식 배터리를 사용하는 경우 삽입하기 전에 완전히 충전되어 있는지 확인하십시오. JBL On Stage Micro III에는 배터리 충전 기능이 없습니다.

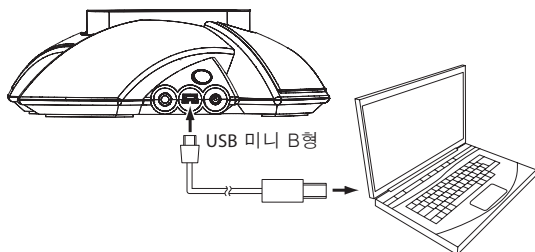
- 일반 배터리를 사용하는 경우 모두 새 것인지 확인하십시오.
 - 충전식 배터리와 일반 배터리를 혼용하지 마십시오. 한 가지 종류의 배터리만 사용하십시오.
 - 배터리의 교체가 필요한 경우 LED가 황색으로 바뀝니다.
4. 배터리 덮개를 원래 위치에 놓고 잠금 위치로 돌립니다.



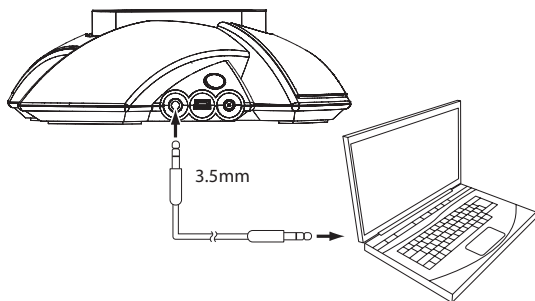
- 배터리 유형을 혼합하지 마십시오.
- 충전되거나 부분적으로 충전된 배터리를 혼합하지 마십시오.
- 배터리는 JBL On Stage Micro III 안에 있는 동안 재충전되지 않습니다.

주의: 올바른 유형으로 교체하지 않으면 폭발의 위험이 있음. 설명서에 따라 사용된 배터리를 처분해야 함.

5. USB 미니 B형 케이블(포함되어 있지 않음)을 JBL On Stage Micro III의 USB 포트와 iTunes가 위치한 컴퓨터의 USB 포트에 연결합니다.



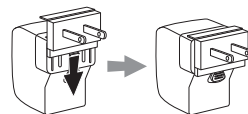
6. JBL On Stage Micro III에서 다른 오디오 소스를 사용하려면 3.5mm 스테레오 케이블(포함되어 있지 않음)의 한쪽 끝을 오디오 입력 커넥터에 꽂은 다음 반대쪽 끝을 오디오 소스의 오디오 출력 또는 헤드폰 출력 커넥터에 꽂습니다.



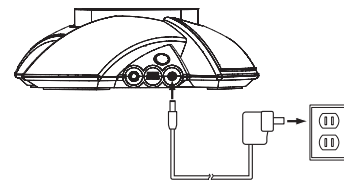
중요: 도킹된 iPod/iPhone을 통해 오디오를 재생하면서 오디오 입력 커넥터에 연결된 오디오 소스를 동시에 재생하면 JBL On Stage Micro III에서 두 가지 출력이 모두 혼합되어 들립니다. 하나의 소스만을 들으려면 듣고 싶지 않은 소스를 수동으로 꺼야 합니다.

7. 포함된 AC 콘센트 어댑터를 전원 공급 장치에 단단히 삽입합니다. 어댑터가 2개 이상인 경우 지역에 맞는 어댑터를 사용합니다. 그런 다음 전원 공급 장치를 JBL On Stage Micro III의 6V DC 입력 커넥터에 연결하고 벽면의 AC 콘센트에 꽂습니다.

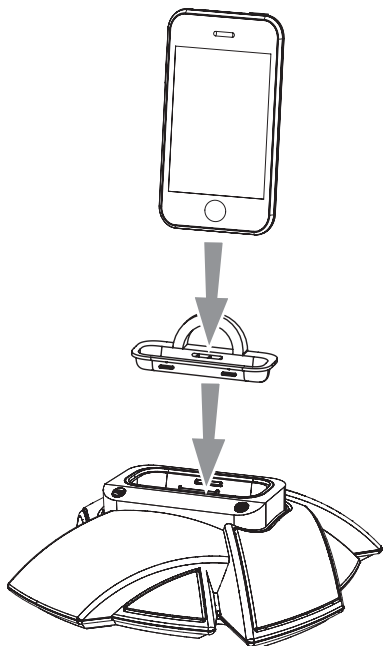
1.



2.

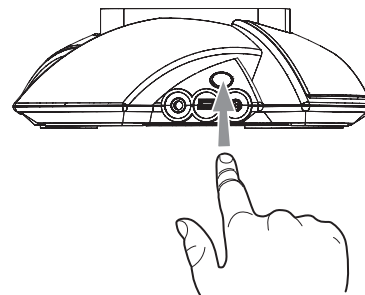


8. 적절한 iPod/iPhone 어댑터를 JBL On Stage Micro III의 iPod 위치에 올바르게 삽입하고 iPod/iPhone을 도킹 커넥터 위에 올려 놓습니다. iPod/iPhone이 커넥터에 단단히 삽입되었는지 확인합니다.

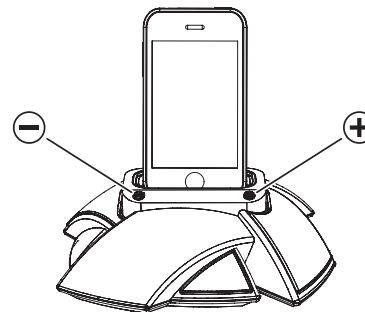


참고: 해당되는 경우 iPod 또는 iPhone과 함께 제공된 어댑터를 사용하십시오.

9. JBL On Stage Micro III의 On/Off 버튼을 누릅니다. 시스템이 켜지면 장치의 상태 LED가 백색으로 켜집니다.

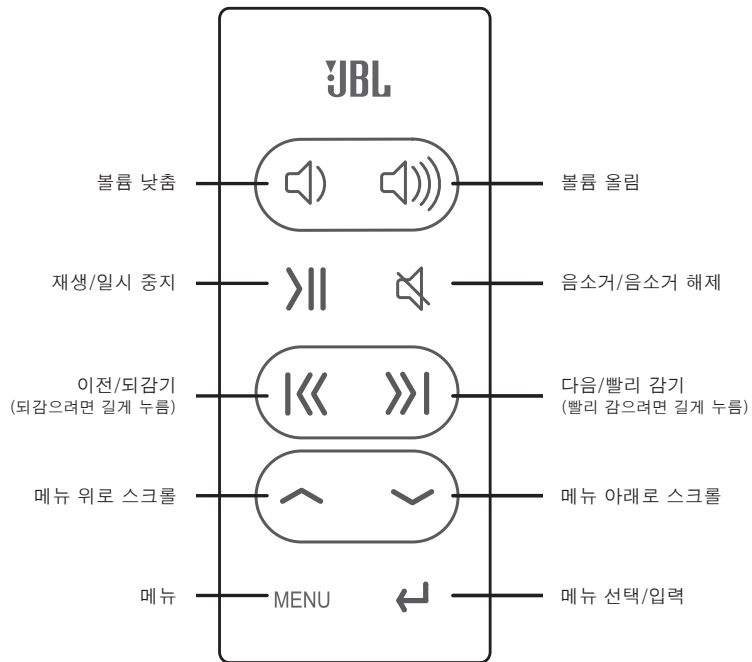


10. (+) 및 (-) 버튼을 사용해 볼륨을 조정합니다. 음을 소거하려면 두 개의 버튼을 동시에 누르고 음소거를 해제하려면 하나의 버튼만 누릅니다.



참고

리모콘 버튼



참고: iPod touch 및 iPhone 메뉴 탐색을 사용하려면 수동으로 iPod/iPhone을 음악 모드에 놓아야 합니다.

LED 상태 표시

JBL On Stage Micro III의 LED는 다음과 같이 서로 다른 색상으로 장치의 상태를 표시합니다.

| LED 표시 | 상태 |
|-------------|---|
| 흰색 - 계속 켜짐 | JBL On Stage Micro III가 켜진 상태입니다. |
| 흰색 - 깜박임 | JBL On Stage Micro III가 음소거 상태입니다. |
| 주황색 - 계속 켜짐 | 배터리 부족 |
| 주황색 - 깜박임 | JBL On Stage Micro III가 음소거 및 배터리 부족 상태입니다. |
| LED 꺼짐 | JBL On Stage Micro III가 대기 상태이거나 꺼진 상태입니다. |

iTunes와 동기화

참고: iPod/iPhone을 iTunes와 동기화하기 전에 iPod/iPhone 및 iTunes를 최신 소프트웨어 버전으로 업데이트해야 합니다.

동기화하기 전에 JBL On Stage Micro III의 USB 포트가 iTunes가 위치한 컴퓨터에 연결되어 있는지 확인하십시오.

1. iPod/iPhone을 JBL On Stage Micro III의 도킹 커넥터 위에 올려 놓습니다. iPod/iPhone이 커넥터에 단단히 삽입되었는지 확인합니다.
2. 컴퓨터의 iTunes 소프트웨어를 사용하여 iPod/iPhone을 iTunes와 동기화합니다.
3. 동기화가 끝나면 iTunes에서 iPod/iPhone을 꺼냅니다.

iPod/iPhone 충전

JBL On Stage Micro III는 조건이 다음과 같을 때 도킹된 iPod/iPhone을 충전합니다.

- AC 전원 어댑터에서 JBL On Stage Micro III에 전원을 공급하고 있는 경우
- JBL On Stage Micro III가 USB 케이블을 통해 컴퓨터에 연결되어 있는 경우

배터리 전원을 사용하는 동안 USB 케이블을 통해 JBL On Stage Micro III를 컴퓨터에 연결하지 않으면 도킹된 iPod/iPhone이 충전되지 않습니다.

배터리 전원으로 JBL ON STAGE MICRO III 작동

125페이지에 있는 JBL On Stage Micro III 쉬운 설치 가이드 - 3단계의 설명에 따라 배터리를 삽입한 경우 JBL On Stage Micro III의 전원 어댑터의 플러그를 뽑으면 장치가 배터리 전원으로 작동합니다.

배터리 전원으로 작동하는 동안 5분 간 오디오 신호가 탐지되지 않으면 JBL On Stage Micro III가 자동으로 대기 모드로 들어갑니다. 오디오 신호가 탐지되면 시스템이 바로 정상 작동 상태로 복원되며 LED가 켜집니다.

JBL On Stage Micro III는 AC 전원 작동 시 10분 동안 오디오 신호가 탐지되지 않으면 대기 모드에 자동으로 진입합니다. 위 그림과 같이 오디오 신호가 탐지되면 즉시 정상적으로 작동하고 LED가 켜집니다.

배터리 전원 작동에 대한 참고:

- JBL On Stage Micro III 는 충전용 배터리를 충전시키지 않습니다.
- 배터리 전원을 사용하는 동안 USB 케이블을 통해 JBL On Stage Micro III를 컴퓨터에 연결하지 않으면 도킹된 iPod/iPhone이 충전되지 않습니다.

JBL ON STAGE MICRO III 문제 해결

문제

해결 방법

소리가 들리지 않습니다(흰색 LED가 켜지지 않음).

- 전원 공급 장치가 JBL On Stage Micro III와 이상이 없는 AC 콘센트에 제대로 연결되었는지 확인하십시오.
- 배터리 전원을 사용 중인 경우 배터리 4개 모두 새 일회용 배터리 또는 새로 충전한 배터리로 교체하십시오. 배터리를 교체해야 할 경우 LED가 황색으로 바뀝니다.
- JBL On Stage Micro III가 절전 모드에 놓여 있습니다(10분 이상 오디오 신호가 탐지되지 않는 경우).

소리가 들리지 않습니다(흰색 LED가 켜짐).

- 볼륨 올림(+) 버튼을 눌러 볼륨을 높이십시오.
- 도킹된 iPod/iPhone을 사용 중인 경우 JBL On Stage Micro III에 제대로 도킹되어 있는지 확인하십시오.
- 보조 소스를 사용 중인 경우 오디오 케이블이 JBL On Stage Micro III의 오디오 입력 커넥터와 소스 컴포넌트의 오디오 출력에 제대로 연결되어 있는지 확인하십시오.
- iPod 또는 소스 컴포넌트가 일시 중지 모드에 있지는 않은지, 볼륨이 너무 낮게 설정되어 있지는 않은지 확인하십시오.

딱딱거리거나 숫 하는 소리가 나거나 소리가 왜곡되어 들립니다.

- iPod 또는 소스 컴포넌트의 볼륨을 낮추십시오.
- iPod의 이퀄라이저 설정이 "Off" 상태로 설정되어 있는지 확인하십시오.

윙윙거리는 소리가 크게 들립니다.

- 오디오 케이블이 오디오 입력 잭에 단단히 꽂혀 있는지 확인하십시오.
- 오디오 케이블을 교체하십시오.
- 전원 공급 장치의 플러그를 뽑아 다른 AC 콘센트에 연결하십시오.

문제

최대 볼륨 수준이 낮아졌습니다.

한쪽 스피커에서만 소리가 납니다.

해결 방법

- JBL On Stage Micro III가 BCM(배터리 절전 모드)에 놓여 있습니다. AC 전력을 보다 높게 전환하십시오.
- iPod/iPhone이 도킹 커넥터에 단단히 장착되어 있는지 확인하십시오.
- 오디오 케이블이 오디오 입력 잭에 단단히 꽂혀 있는지 확인하십시오.
- 오디오 케이블이 스테레오 케이블인지 확인하십시오.

사양

| | |
|-----------------|--|
| 호환성 | iPod 도킹 버전(iPod nano 5세대, iPod touch 2세대, iPod nano 4세대, iPod classic, iPod touch 1세대, iPod nano 3세대, iPod nano 2세대, iPod 5세대 포함), iPhone 4GB, 8GB, 16GB, iPhone 3G 8GB, 16GB, iPhone 3GS 16GB, 32GB, MP3 및 CD 플레이어, 데스크톱 및 랩톱 컴퓨터(모든 플랫폼) |
| 변환기 | 2 x 1" (25mm) JBL Odyssey™ 폴레인지 |
| 전원 | 2 와트 x 2 |
| 주파수 응답 | 110Hz ~ 20kHz |
| 신호 대 잡음비 | 63dB |
| 입력 임피던스(Aux) | 3k ohms |
| 입력 연결 | 기본 연결 - iPod 및 iPhone 도킹 커넥터, 보조 입력 연결 - 3.5mm(1/8") 스테레오 미니 잭 |
| 배터리 요구 사항 | 4 x AAA, 니켈수소 또는 알칼리 |
| 전원 요구 사항 | 6V DC, 1.5A |
| 소비 전력 | 10W (최대) |
| 치수(깊이 x 폭 x 높이) | 168mm x 168mm x 54mm (6-5/8" x 6-5/8" x 2-1/4") |
| 무게 | 0.36kg (0.8 lb) |
| 색상 | 블랙, 화이트 |



HARMAN Harman Consumer, Inc.
8500 Balboa Boulevard, Northridge, CA 91329 USA
www.JBL.com

© 2010 Harman International Industries, Incorporated. 모든 권리 소유.

기능, 사양, 외관은 통보 없이 변경될 수 있습니다.

JBL 은 미국 및/또는 기타 국가에서 Harman International Industries, Incorporated 의 상표로 등록되어 있습니다. Odyssey 은 미국 및/또는 기타 국가에서 Harman International Industries, Incorporated 의 상표로 등록되어 있습니다.

*상표 On Stage 는 OSA International, Inc. 사의 허가아래 사용되고 있습니다.

iPhone, iPod touch, iPod classic, iPod nano, 및는 Apple Inc., 의 등록상표이며, 미국 및 다른 국가에 등록되어 있습니다. iPod/iPhone 은 포함되지 않습니다.

"Made for iPod" 및 "Made for iPhone"이란 표현은 iPod 및 iPhone에 연결하기 위해 특별히 디자인된 전자 액세서리가 Apple의 성능 표준을 만족하도록 개발자의 인증을 받았음을 의미합니다. Apple은 이러한 장치의 작동이나 안전 및 규제 기준의 준수 여부에 대해 아무런 책임을 지지 않습니다.

JBL ON STAGE^{®*} MICRO III

iPod/iPhone 用スピーカードック



Made for
iPod iPhone



iPod/iPhone は含まれて
いません。

ユーザーガイド

安全上のご注意

- この説明をお読みください。
- この説明書は、いつでも手の届くところに保管してください。
- 説明書に従って使用してください。
- すべての説明には、従ってください。
- 機を水または水気のある場所の近くで使用しないでください。
- 拭き取りの際はかならず乾いた布を使用してください。
- 通気口を塞がないでください。製造元の説明に従って取り付けを行ってください。
- ラジエータ、温風の排気口、ストーブ(アンプを含む)、その他温熱が発生する熱源の近くに設置しないでください。
- ポラライズ型コンセントや接地極つきコンセントの安全機能を無効にしないでください。ポラライズ型コンセントの歯は一方が他方よりも幅広くなっています。接地極つきコンセントには、接地用の3つ目の歯がついています。幅広い方の歯または3つ目の接地用歯は、安全のために付属しています。付属のコンセントが差し込み口に入らない場合は、電気事業者に相談の上、古い型のコンセントを交換してください。
- コンセントのケーブルが踏まれたり挟まれたりするののないように電源コードを保護してください。特に差し込み部分と、汎用レセプタクルや機器からでている部分にも注意してください。
- 付属品、アクセサリは、製造業者が指定したもののみを使用してください。
- 製造業者が指定したカート、スタンド、三脚、ブラケット、テーブルのみを使用してください。または機器に付属しているものを使用してください。特にカートを使用する場合は転ばないように、カートと機器の接合部分に注意してください。



- 雷を伴う悪天候または長期間使用しない場合は、本機の電源コードをコンセントから抜いてください。
- 設備点検は認定サービス店にお問い合わせください。電源コードやプラグの破損、液体がこぼれた場合、物体が装置の上に落ちた場合、雨や水で濡れた場合、正常に作動しない場合、あるいは落とされた場合など、装置が破損した場合には整備点検が必要です。
- 本機を水滴にさらさないでください。花瓶など水を入れた容器などを本機に置かないでください。
- 完全に本機のAC主電源を切るには、電源コードをコンセントから外してください。
- 電源コードのメインコンセントは簡単に使用できるようにしておく必要があります。
- バッテリーを直射日光、火気などの高熱にさらさないでください。



この表示を無視して誤った取り扱いをすると、人が死亡または重傷を負う可能性が想定される内容を示しています。



この表示を無視して、誤った取り扱いをすると、人が傷害を負う可能性が想定される内容および物的損害のみの発生が想定される内容を示しています。

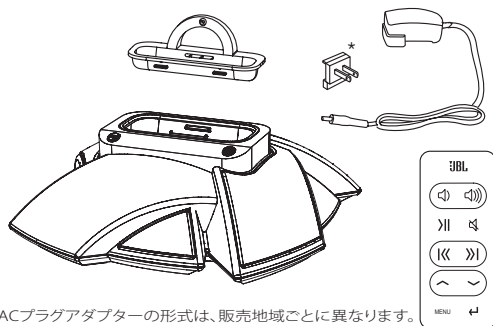
警告: 静電気の影響により静電放電が生じた後、本製品の電源をリセットの必要が発生する場合があります。

重要な注意事項:

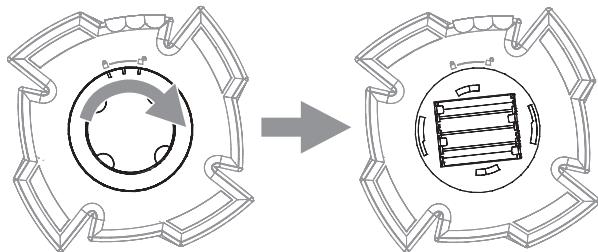
本製品にオーディオ機器を接続又は取り外しする際、必ず本製品の電源をオフにした状態にして作業を行ってください。電源をオンにした状態で接続又は取り外しを行うと、作業にて発生するノイズなどでスピーカーを損傷する場合があります。

JBL ON STAGE** MICRO III 簡易セットアップガイド

1. スピーカードックを箱から取り出し、次の内容物を確認してください。JBL On Stage ** Micro III スピーカードック、電源装置、リモコン、iPod/iPhoneアダプター



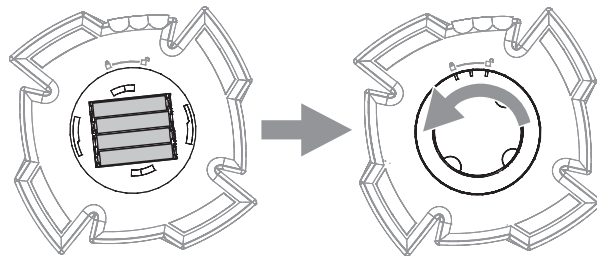
2. 電池ドアをアンロック位置まで回し、取り外します。



3. 電池ホルダーに単4乾電池4本を入れます。電池ホルダー内に記載された方向に電池を入れてください。

電池の使い方についての注意：

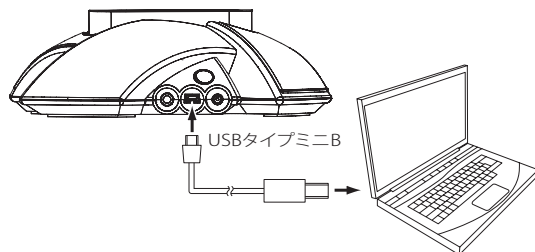
- 充電式電池をお使いになる場合、入れる前に全部の電池が一杯に充電されていることを確認してください。JBL On Stage Micro IIIでは充電式電池を充電することはできません。
 - 通常の乾電池をお使いになる場合は、新品の電池のみをお使いください。
 - 通常の乾電池と充電式電池を混ぜないでください。どちらか一方の電池だけをお使いください。
 - 電池の交換が必要になると、本器の状態を示すLEDが黄色く点灯します。
4. 電池ドアを入れ、ロック位置まで回してください。



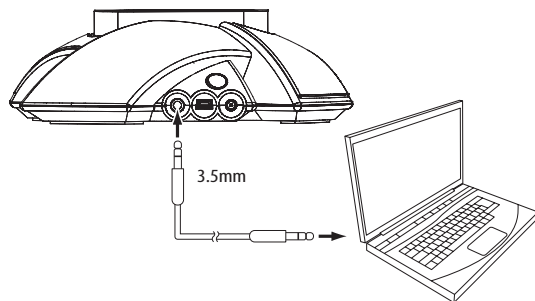
- 種類の違う電池を混用しないでください。
- 充電した電池と充電が完了していない電池を混用しないでください。
- JBL On Stage Micro III は電池を充電すること

注意：適切な電池を使用しないと、電池が破裂する恐れがあります。使用済みの電池は、お住まいの自治体の指示に従って廃棄してください。はできません。

5. JBL On Stage Micro III のUSBポートと、iTunesがインストールされているコンピュータのUSBポートとの間に、USBタイプミニBケーブル(別売)を接続します。



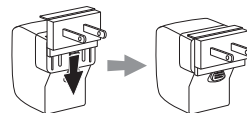
6. JBL On Stage Micro IIIを別のオーディオソースと一緒にお使いになる場合には、3.5mmステレオケーブル(別売)を「Audio In」ジャックに差し込み、ケーブルのもう一方の端を外部オーディオソースのオーディオ出力ジャックまたはヘッドホン出力ジャックに差し込みます。



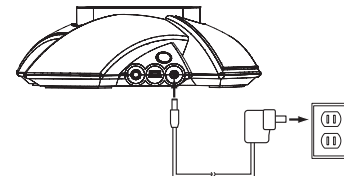
重要:ドッキングしたIPOD/IPHONEと、「AUDIO IN」ジャックに接続した外部オーディオソースを同時に再生すると、JBL ON STAGE MICRO IIIから、両方の音声が一緒に再生されます。どちらか一方のソースのみを聞くには、再生したくない方のオーディオソースのスイッチを切ってください。

7. 付属のACコンセントアダプターを電源装置の一番奥まで差し込みます(2個以上のアダプターが付属している場合には、お住まいの地域に合ったアダプターをお使いください)。次に、電源装置をJBL On Stage Micro IIIの「6V DC In」コネクターに差し込み、電源装置本体を壁コンセントに接続します。

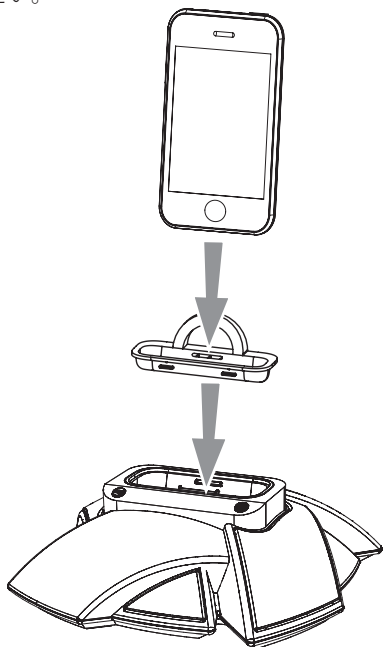
1.



2.

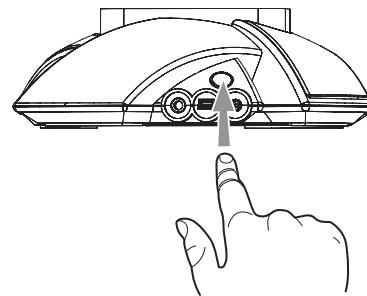


8. JBL On Stage Micro IIIのiPodウェルに、お使いのiPod/iPhoneに合ったアダプターを置き、ドッキングコネクタにお使いのiPod/iPhoneを載せます。iPod/iPhoneがコネクタの一番下まで挿入されていることを確認してください。

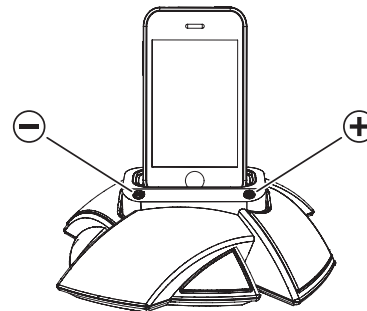


注意：できれば、iPod/iPhoneに付属のアダプターをお使いください。

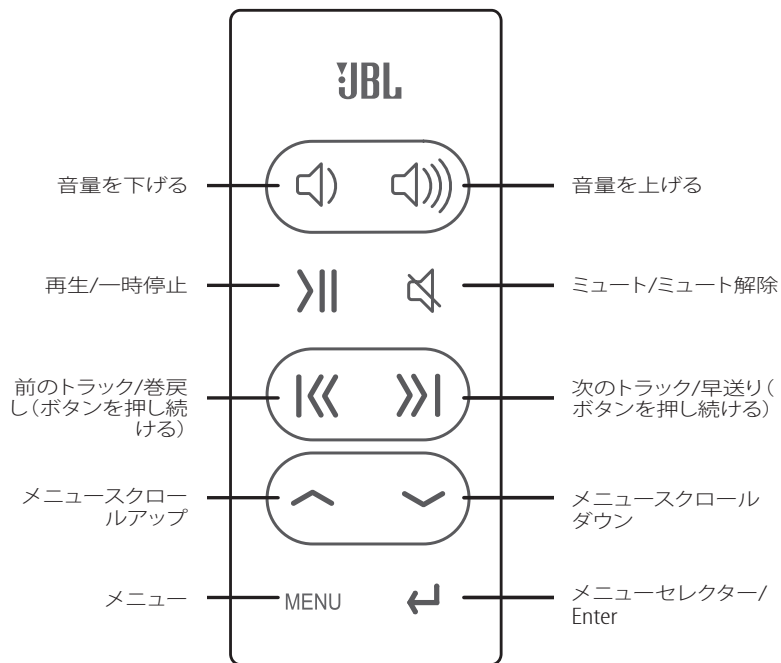
9. JBL On Stage Micro IIIのOn/Offボタンを押します。電源が入ると、本器の状態を示すLEDが白く点灯します。



10. (+) ボタンと(-) ボタンで音量を調整します。両方のボタンを一緒に押すと音声ミュートされます。どちらかのボタンを押すとミュートが解除されます。



リモコンボタン



注意: iPod TouchとiPhoneでメニューナビゲーションをする場合、
手動でiPod/iPhoneをミュージックモードに切り替える必要があり
ます。

本器の状態を示すLED

JBL On Stage Micro IIIのLEDは、本器の作動状態に応じて、次のように色が変化します。

| LEDの表示 | 本器の作動状態 |
|----------|--|
| 白 - 常時点灯 | JBL On Stage Micro IIIの電源が入っている |
| 白 - 点滅 | JBL On Stage Micro IIIがミュートされている |
| 赤 - 常時点灯 | 電池の電圧が低い |
| 赤 - 点滅 | JBL On Stage Micro IIIがミュートされており、電池の電圧が低い |
| LED消灯 | JBL On Stage Micro IIIがスタンバイになっているか、電源が切れている |

iTunesとの同期

注意: iPod/iPhoneとiTunesを同期させようとする前に、iPod/iPhoneとiTunesが最新バージョンのソフトウェアにアップデートされていることを確認してください。

同期させようとする前に、JBL On Stage Micro IIIのUSBポートが、iTunesがインストールされているコンピュータに接続されていることを確認してください。

1. お使いのiPod/iPhoneをJBL On Stage Micro IIIのドッキングコネクタに置きます。iPod/iPhoneがコネクタの一番下まで挿入されていることを確認してください。
2. お使いのコンピュータのiTunesソフトウェアで、iPod/iPhoneとiTunesとを同期させます。
3. 同期が終わったら、iTunesからiPod/iPhoneを取り出します。

iPod/iPhoneの充電

下の各条件で、JBL On Stage Micro IIIは、ドッキングされたiPod/iPhoneを充電します。

- AC電源アダプターからJBL On Stage Micro IIIに電源が供給されている場合。
- JBL On Stage Micro IIIがUSBケーブルでコンピュータと接続されている場合。

JBL On Stage Micro IIIが電池で動作しているときには、USBケーブルでコンピュータと接続されていない限り、ドッキングされたiPod/iPhoneは充電されません。

電池によるJBL ON STAGE MICRO III動作

「JBL On Stage** Micro III 簡易セットアップガイド」3ページのステップ137で説明したように電池を入れた場合、JBL On Stage Micro IIIの電源ケーブルを抜いて、電池で動作させることができます。

電池で動作している場合、5分間音声信号を検出しないと、JBL On Stage Micro IIIは自動的にスタンバイモードになります。音声信号を検出すると、通常の動作に戻り、LEDが点灯します。

交流電源で動作している場合、10分間音声信号を検出しないと、JBL On Stage Micro IIIは自動的にスタンバイモードになります。上と同様に、音声信号を検出すると、通常の動作に戻り、LEDが点灯します。

電池による動作についての注意事項

- JBL On Stage Micro IIIでは充電式電池を充電することはできません。
- JBL On Stage Micro IIIが電池で動作しているときには、USBケーブルでコンピュータと接続されていない限り、ドッキングされたiPod/iPhoneは充電されません。

JBL ON STAGE MICRO IIIのトラブルシューティング

| 問題 | 対策 |
|--------------------------|--|
| 音が出ない(白いLEDが点灯しない): | <ul style="list-style-type: none">• JBL On Stage Micro III に電源装置が正しく接続され、コンセントに電気が来ていることを確認します。• 電池で動作させる場合、新品の乾電池または完全に充電されている充電式電池を4本入れてください。電池の交換が必要な場合、LEDが黄色く点灯します。• JBL On Stage Micro III が省エネモードになっています(10分以上音声を検出されない)。 |
| 音が出ない(白いLEDが点灯している): | <ul style="list-style-type: none">• 音量を上げるボタン(+) を押して、本器の音量を増加してください。• iPod/iPhoneがドッキングされている場合、JBL On Stage Micro III に正しく差し込まれていることを確認してください。• 外部オーディオソースをお使いの場合、JBL On Stage Micro III の「Audio In」ジャックとオーディオソースのオーディオ出力が正しく接続されていることを確認してください。• iPodまたは外部オーディオソースが一時停止モードになっていないか、また、その音量が最低になっていないか、確認してください。 |
| 音が割れる、サーというノイズが多い、音がひずむ: | <ul style="list-style-type: none">• iPodまたは外部オーディオソースの音量を下げてください。• iPodのイコライザー設定がオフになっているか確認してください。 |
| 大きなハム音やジーという音が出る: | <ul style="list-style-type: none">• オーディオケーブルが「Audio In」ジャックの一番奥まで差し込んであることを確認してください。• オーディオケーブルを交換してください。• 壁コンセントから電源装置を抜いて、別のコンセントに差し込んでください。 |

問題

音量を最大にしても音が小さい:

対策

• JBL On Stage Micro IIIが省バッテリーモード (BCM) になっています。交流電源に切り替えると音が大きくなります。

一方のスピーカーからしか音が聞こえてこない:

• iPod/iPhoneがドッキングコネクターの一番奥まで差し込まれていることを確認してください。

• オーディオケーブルが「Audio In」ジャックの一番奥まで差し込まれていることを確認してください。

• オーディオケーブルがステレオケーブルであるか確認してください。

仕様

| | |
|-----------------|--|
| 互換性 | ドッキングバージョンの iPod (iPod nano 第5世代、iPod touch 第2世代、iPod nano 第4世代、iPod classic、iPod touch 第1世代、iPod nano 第3世代、iPod nano 第2世代、iPod 第5世代、iPhone 4GB、8GB、16GB、iPhone 3G 8GB、16GB、iPhone 3GS 16GB、32GBを含む)、MP3およびCDプレーヤー、デスクトップおよびラップトップコンピュータ (全プラットフォーム) |
| トランスジューサー | 1インチ JBL Odyssey™ フルレンジスピーカー 2個 |
| 電源: | 2 ワット x 2 |
| 周波数応答 | 110Hz – 20kHz |
| 信号対雑音比 | 63dB |
| 入力インピーダンス(Aux): | 3k Ω |
| 入力コネクター: | 主なコネクター – iPodおよびiPhone用ドッキングコネクター、外部入力コネクター – 3.5mm (1/8") ステレオミニジャック |
| 使用電池: | NiMhまたはアルカリ単4電池4本 |
| 電源要件: | 直流6ボルト、1.5A |
| 消費電流: | 10W (最大) |
| 寸法 (奥行x幅x高さ) | 168mm x 168mm x 54mm (6-5/8 x 6-5/8 x 2-1/4インチ) |
| 重量: | 0.36kg (0.8 ポンド) |
| 仕上げ: | 黒、白 |



HARMAN Harman Consumer, Inc.
8500 Balboa Boulevard, Northridge, CA 91329 USA

www.JBL.com

© 2010 Harman International Industries, Incorporated. 無断複写・転載を禁じます。

製品の仕様および外観は、改良のため予告無く変更する場合があります。

JBL は米国およびその他の国々におけるHarman Industries, Incorporatedの登録商標です。Odyssey はHarman International Industries, Incorporatedの登録商標です。

*商標の「オンステージ」はOSA インターナショナルの許可とともに使用。

iPhone, iPod touch, iPod classic, iPod nano, and iTunes are trademarks of Apple, Inc., registered in the U.S. and other countries. iPod/iPhone not included.

「iPod専用」および「iPhone専用」とは、電子アクセサリ機器がそれぞれ iPodおよびiPhoneに接続できるように設計されており、開発者によってAppleの性能基準に合致すると認められていることを意味していません。Appleでは、本器の動作を保証しておらず、また、本器が安全規制基準に準拠していることを保証していません。

JBL ON STAGE^{®*} MICRO III

适合 iPod/iPhone 使用的音箱基座



不包含iPod/iPhone



用户手册

重要安全说明

1. 务必阅读该使用说明。
2. 务必妥善保存该使用说明。
3. 务必留心所有的警告。
4. 操作时请务必遵循使用说明。
5. 请勿使该设备靠近水。
6. 仅使用干燥的棉布清洁该设备。
7. 请勿堵塞任何通风口。安装操作请务必遵循生产商的指示进行。
8. 请勿将设备安装于热源附近，包括散热器、储热器、加热器以及任何可能产生热量的设备（包括增热器）。
9. 请勿违反极性或接地插头的的安全准则。极性插头有两个插片，其中一片较宽。接地插头含有两个插片，第三个为插脚。较宽的插片及插脚的设计是为了保证安全性。如果配备的插头不匹配您的插座，请咨询电工以便替换旧的插座。
10. 小心保护电源线，以防其被踩踏或掐折，尤其是插头、电源插座及其与设备的连接点处。
11. 仅使用生产商指定的配附件。
12. 仅使用生产商指定的，或同该设备搭配出售的装载车、支台、三脚架、支托或支桌。当使用装载车时，请小心地共同移动车与设备，避免造成翻倒碰撞。
13. 在雷雨天或长时间不使用的状况下，请拔除设备电源。
14. 当设备以各种方式被损坏时，譬如电源线或插头出现破损，有液体溢出，物件掉落至设备内，设备被曝露于潮湿或雨水环境中，设备运转不正常或被碰摔等，请寻求有资格的维修人员来进行维修操作。
15. 请勿使该设备接触水滴或溅起的水。请勿将花瓶等盛水的器具摆放于设备之上。
16. 欲将设备从AC电源完全断开，请将电源线插头从AC插座中拔出。
17. 电源线的主插头应随时保持可操作性。
18. 请勿将电池曝露于过热的环境中，如阳光、火源或类似的状况。



等边三角形中箭头标志的闪烁灯，是为了警告用户产品的外壳内存在未绝缘的“危险电压”，幅度可能造成用户触电的危险。



等边三角形内的感叹号是为了警告用户，产品附带的使用说明中含有该重要的操作指令或维修指令。

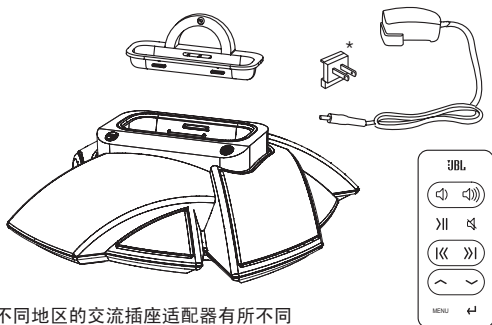
警告：为降低火灾或电击的风险，请勿将设备曝露于雨水或潮湿的环境中。



所有电子产品的重要注意事项： 在把音频线插入或拔出音源设备的耳机插孔或线路电平输出插孔之前，良好的做法是先关闭设备电源。这样做可以延长设备的使用寿命，有助于防止设备产生静电，还可以防止对设备造成损害。

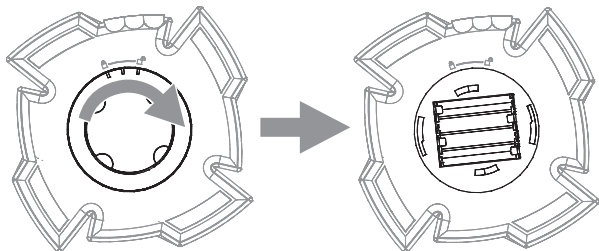
JBL ON STAGE® MICRO III 简易安装指南

1. 小心打开音箱底座包装，确认包含下列所有物品：JBL On Stage® Micro III 音箱底座、电源、遥控器和 iPod/iPhone 适配器。



*不同地区的交流插座适配器有所不同

2. 旋转电池盖至开启位置并移开

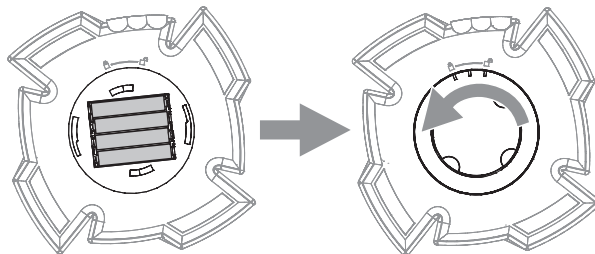


3. 在电池盒中装入四节 AAA 电池。注意电池盒中标注的电池极性

电池使用注意事项

- 若使用可充电电池，确保在装入前所有电池都充满了电。JBL On Stage Micro III 不会对可充电电池进行充电。
- 若使用普通电池，确保所有电池都是新的。
- 不要将充电电池与普通电池混用。使用同一类型的电池。
- 当状态指示灯呈琥珀色时，需要更换电池。

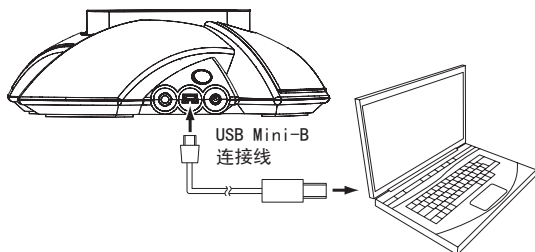
4. 盖上电池盖，并旋转至锁定位置



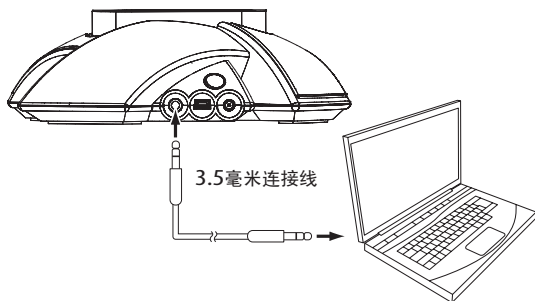
- 请勿混用不同类型的电池。
- 请勿混用已充电与未完全充电的电池。
- 电池还在 JBL On Stage Micro III 中时，不会重新充电。

警告：如果装入错误类型的电池，可能引起电池爆炸。根据使用说明处理用过的电池。

5. 用一根 USB Mini-B 连接线（未附配）连接 JBL On Stage Micro III. 的 USB 端口和装有 iTunes 的电脑 USB 端口。



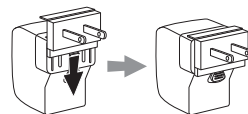
6. 若想通过另一个音频源使用 JBL On Stage Micro III, 请将一根3.5毫米立体声连接线的一端插入音频输入 (Audio In) 插孔, 另一端插入音频源的音频输出或耳机输出插孔。



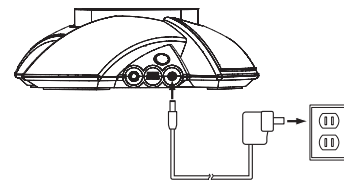
重要事项: 如果您同时通过放置在基座上的 iPod/iPhone 和连接至音频输入插孔的音频源播放音乐, 您将听到 JBL On Stage Micro III 同时发出两种声音。要想只听到来自一个音频源的声音, 请手动关闭不想听的音频源。

7. 将附配的交流电插座适配器插入供给电源器（如果有多个适配器, 请使用适合您所在地区的适配器）。然后将该电源器的连接线端口连接至 JBL On Stage Micro III 的6伏直流电输入 (6V DC In) 插孔内, 将电源器插头端插入壁式交流电插座内。

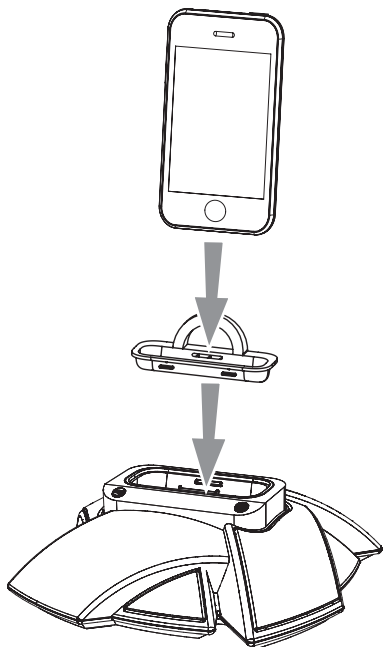
1.



2.

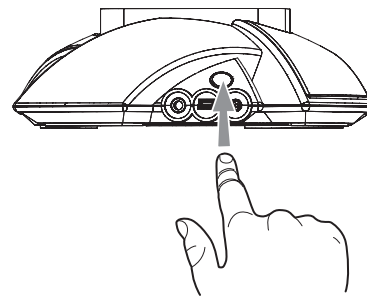


8. 将适当的 iPod/iPhone 适配器放置在 JBL On Stage Micro III 的 iPod 槽上，将 iPod/iPhone 放置在基座连接器上。确保 iPod/iPhone 完全并始终插在连接器中。

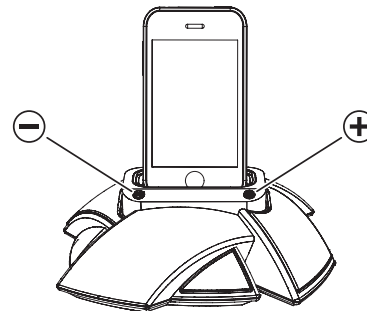


注意：如果适用，请使用 iPod 或 iPhone 附配的适配器。

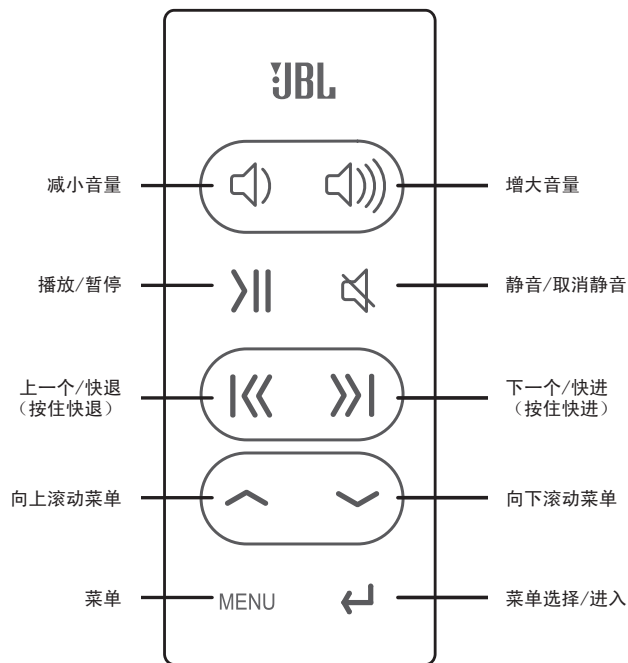
9. 按下 JBL On Stage Micro III 的开/关 (On/Off) 按钮。当系统开启时，设备的状态指示灯亮起，呈现为白色。



10. 使用 (+) 和 (-) 按钮调节音量。同时按下两个按钮进入静音状态，按下其中任何一个按钮取消静音。



遥控器按钮



注意: iPod touch 和 iPhone 菜单导航可能需要您手动将 iPod/iPhone 设置为音乐模式。

状态指示灯

JBL On Stage Micro III 的指示灯将显示不同的颜色来指示装置的状态:

| 指示灯显示 | 状态 |
|----------|----------------------------------|
| 白色-持续亮着 | JBL On Stage Micro III 开启 |
| 白色-闪烁 | JBL On Stage Micro III 静音 |
| 琥珀色-持续亮着 | 电池电量低 |
| 琥珀色-闪烁 | JBL On Stage Micro III 静音且电量低 |
| 指示灯不亮 | JBL On Stage Micro III 处于待机或关闭状态 |

与 iTunes 同步

注意：在将 iPod/iPhone 与 iTunes 同步之前，确定 iPod/iPhone 和 iTunes 都更新至最新软件版本。

在进行同步之前，确定 JBL On Stage Micro III 的 USB 端口连接至安装 iTunes 的电脑。

1. 将 iPod/iPhone 放置在 JBL On Stage Micro III 的基座连接器上。确保 iPod/iPhone 完全并始终插在连接器中。
2. 利用您电脑的 iTunes 软件来使 iPod/iPhone 与 iTunes 同步。
3. 完成同步后，将 iPod/iPhone 从 iTunes 中退出。

iPod/iPhone 充电

如果满足下列条件，JBL On Stage Micro III 将对放置在基座上的 iPod/iPhone 充电：

- 当 JBL On Stage Micro III 通过直流电源适配器供电时
- 当 JBL On Stage Micro III 通过 USB 连接线连接至电脑时

当通过电池供电时，JBL On Stage Micro III 不会对放置在基座上的 iPod/iPhone，除非 JBL On Stage Micro III 同时还通过 USB 连接线连接至电脑。

通过电池供电方式使用 JBL ON STAGE MICRO III

如果已经按照第三页的《JBL On Stage Micro III 建议安装指南》第三步要求安装了电池，您可以不用插入 JBL On Stage Micro III 的电源适配器，通过电池使用装置。

使用电池供电时，当系统5分钟没有检测到音频信号后，JBL On Stage Micro III 将自动进入待机模式。一旦检测到音频信号，系统将重新正常运行，指示灯将亮起。

在使用交流电源时，当系统持续10分钟没有检测到音频信号后，JBL On Stage Micro III 将自动进入待机模式。同样，系统一旦检测到音频信号，便将恢复正常工作，并且 LED 指示灯将亮起。

使用电池供电的注意事项：

- JBL On Stage Micro III 不会对可充电电池进行充电。
- 当通过电池供电时，JBL On Stage Micro III 不会对放置在基座上的 iPod/iPhone，除非 JBL On Stage Micro III 同时还通过 USB 连接线连接至电脑。

JBL ON STAGE MICRO III 故障解析

故障

解决办法

没有声音（白色指示灯不亮）：

- 检查电源是否正确连接至 JBL On Stage Micro III 以及可用的交流电插座。
- 若使用电池供电，请确保使用4节全新的一次性电池或充满电的可充电电池。当状态指示灯呈琥珀色时，需要更换电池。
- JBL On Stage Micro III 处于节能模式（10分钟内未检测到音频信号）。

没有声音（白色指示灯亮着）：

- 按增大音量 (+) 按钮调高系统音量。
- 若使用放置在基座上的 iPod/iPhone，检查 iPod/iPhone 是否正确放置在 JBL On Stage Micro III 基座上。
- 若使用辅助音频源，检查音频线是否正确连接至 JBL On Stage Micro III 的音频输入插孔和音频源组件的音频输出插孔。
- 检查 iPod 或音频源组件是否处于暂停模式，检查音量控制是否调于最小位置。

破裂声、嘶嘶声或声音失真：

- 将 iPod 或音频源组件的音量调低。
- 检查 iPod 的均衡器设置是否为“关闭”。

较大嗡嗡声或蜂鸣声

- 检查辅助线是否正确插入音频输入插口。
- 更换音频线。
- 拔掉电源，将电源插到其他交流电插座内。

故障

解决办法

最大音量水平无法发挥到最大值:

- JBL On Stage Micro III 处于电池节能模式 (BCM)。换成交流电源以获得更高性能。

只有一个喇叭有声音:

- 检查 iPod/iPhone 是否正确固定在基座连接器上。
- 检查辅助线是否正确插入音频输入插口。
- 检查音频线是否为立体声线。

产品规格

| | |
|----------------|---|
| 兼容性: | iPod 的基座版本, 包括 iPod nano 第五代、iPod touch 第二代、iPod nano 第四代、iPod classic、iPod touch 第一代、iPod nano 第三代、iPod nano 第二代、iPod 第五代、iPhone 4GB, 8GB, 16GB、iPhone 3G 8GB, 16GB、iPhone 3GS 16GB, 32GB、MP3 和 CD 播放器、台式和笔记本电脑 (所有平台) |
| 变频器: | 2 x 25mm (1") JBL Odyssey™ 全频变频器 |
| 功率: | 2 瓦特 x 2 |
| 频率范围: | 110赫兹至 – 20千赫兹 |
| 信噪比: | 63分贝 |
| 输入阻抗 (辅助音频源): | 3千欧 |
| 输入连接: | 主连接——iPod and iPhone 基座连接器; 辅助输入连接——3.5毫米 (1/8英寸) 立体声迷你插口 |
| 电池要求: | 4 x AAA, 镍氢或碱性电池 |
| 电源要求: | 6伏直流, 1.5安 |
| 功耗: | 10瓦 (最大) |
| 尺寸 (深 x 宽 x 高) | 168毫米 x 168毫米 x 54毫米 (6-5/8英寸 x 6-5/8英寸 x 2-1/4英寸) |
| 重量: | 0.36千克 (0.8 磅) |
| 成品颜色: | 白色; 黑色 |



HARMAN Harman Consumer, Inc.
8500 Balboa Boulevard, Northridge, CA 91329 USA

www.JBL.com

© 2010 Harman International Industries, 保留一切权利。以上规格如有变更，恕不另行通知。

JBL 为在美国及/或其它国家注册的哈曼国际工业公司（Harman International Industries, Incorporated）的商标。Odyssey为哈曼国际工业股份有限公司商标。

*On Stage 商标经OSA International, Inc.许可使用。

iPhone, iPod touch, iPod classic, iPod nano 和 iTunes 是 Apple, Inc., 公司在美国和/或其他国家注册的商标。不包含iPod/iPhone

“Made for iPod”和“Made for iPhone”表明一个电子配件是专为分别连接至 iPod 或 iPhone 而设计的，并已得到开发商证实，能够达到苹果公司的性能标准。苹果公司对设备的运行或者是否符合安全和监管标准概不负责。

JBL ON STAGE®* MICRO III

Портативная док-станция для iPod/iPhone



iPod/iPhone в комплект поставки
не входит.

РУКОВОДСТВО ПОЛЬЗОВАТЕЛЯ

ВАЖНЫЕ ИНСТРУКЦИИ ПО БЕЗОПАСНОСТИ

1. Прочтите эти инструкции.
2. Сохраните эти инструкции.
3. Соблюдайте все меры предосторожности.
4. Выполняйте все инструкции.
5. Не используйте устройство вблизи воды.
6. Очищайте только сухой тканью.
7. Не закрывайте вентиляционные отверстия. Устанавливайте в соответствии с указаниями изготовителя.
8. Не устанавливайте устройство вблизи источников тепла – радиаторов, обогревателей, печей и других приборов (включая усилители), от которых исходит тепло.
9. Не вскрывать поляризованную вилку или вилку, имеющую контакты заземления! Один из контактов поляризованной вилки шире другого. Вилка с заземлением имеет два силовых и один заземляющий контакт. Более широкий контакт или контакт заземления предназначены для снижения риска поражения электрическим током. В случае, если вилка шнура питания не подходит к Вашей сетевой розетке, проконсультируйтесь со специалистом для замены Вашей сетевой розетки.
10. Размещайте шнур питания таким образом, чтобы он не мешал ходить и не оказался защемленным, особенно в месте входа в вилку, вблизи розетки или в точке выхода из устройства.
11. Используйте только указанные изготовителем дополнительные приспособления и аксессуары.
12. Устанавливайте только на тележке, стойке, треноге, кронштейне или подставке, указанной изготовителем или входящей в комплект устройства. Если используется тележка, при перемещении проявляйте осторожность и следите за тем, чтобы она не опрокинулась.



13. Отключайте устройство от сети на время грозы или когда устройство не планируется использовать в течение длительного времени.
14. Любой ремонт или обслуживание должен производить только специализированный персонал. Ремонт или обслуживание необходимы при любых повреждениях, например, повреждении шнура или вилки, попадании внутрь устройства жидкости или посторонних предметов, попадании устройства под дождь или во влажную среду, а также при нарушениях в работе или падении.
15. Следите за тем, чтобы на устройство не попадали капли или брызги, и не ставьте на устройство наполненные жидкостью предметы, например, вазы.
16. Чтобы полностью обесточить устройство, отключите шнур питания от розетки сети.
17. Следите за тем, чтобы аккумуляторы не подвергались сильному тепловому воздействию, например, от солнечных лучей, камина и других источников тепла.
18. Не допускать повреждений вилки шнура питания!



Символ молнии в равностороннем треугольнике предупреждает пользователей о наличии неизолированного «опасного напряжения» внутри изделия, достаточно высокого, чтобы представлять риск нанесения травмы.



Символ с восклицательным знаком в равностороннем треугольнике предназначен для того, чтобы привлечь внимание пользователей к важным инструкциям по использованию или обслуживанию оборудования в прилагающемся к изделию руководстве.

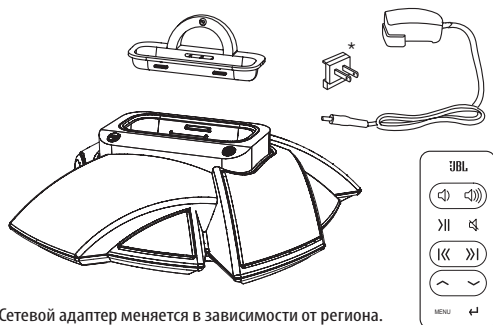
ВНИМАНИЕ! Во избежание поражения электрическим током не подвергайте устройство воздействию дождя или влаги.

ВАЖНЫЕ ПРИМЕЧАНИЯ, КАСАЮЩИЕСЯ ЛЮБЫХ ЭЛЕКТРОННЫХ УСТРОЙСТВ:

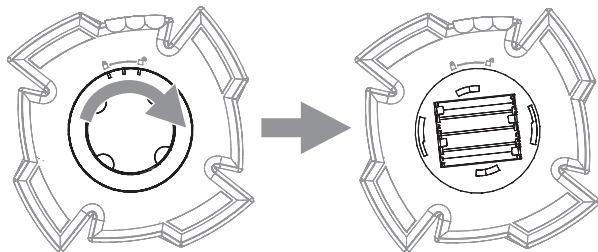
Выключайте устройство перед тем, как подсоединять аудиокабели к гнездам наушников или к гнездам линейного входа (или отсоединять их от этих гнезд). Это продлит срок службы устройства, поможет защитить его от воздействия статического электричества и от выхода из строя по этой причине.

JBL ON STAGE** MICRO III РУКОВОДСТВО ПО УСТАНОВКЕ

1. Аккуратно распакуйте док-станцию и проверьте комплект поставки именно: JBL On Stage** Micro III, адаптер, пульт ДУ и адаптер iPod/iPhone.



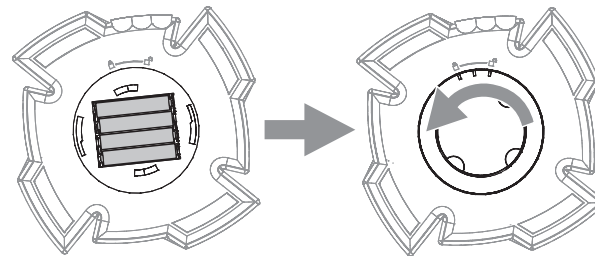
2. Поверните крышку батарейного отсека в открытое положение и снимите ее.



3. Вставьте 4 батарейки типа AAA в отсек. При установке соблюдайте полярность, которая указана внутри отсека.

ЗАМЕЧАНИЯ ПО ИСПОЛЬЗОВАНИЮ БАТАРЕЙ:

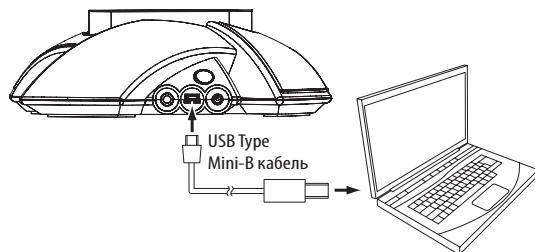
- Если вы пользуетесь аккумуляторами, убедитесь, что они полностью заряжены. The JBL On Stage Micro III не производит подзарядку аккумуляторов.
 - Если вы пользуетесь батарейками, убедитесь, что они свежие.
 - Не устанавливайте аккумуляторы вместе с непозаряжаемыми батарейками. Используйте только аккумуляторы или только батарейки.
 - Если статусный СД загорится желтым, элементы питания необходимо заменить.
4. Установите крышку отсека и поверните ее в закрытое положение.



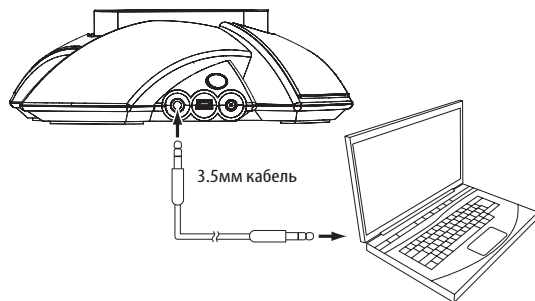
- Не пользуйтесь батареями разных типов одновременно.
- Не пользуйтесь полностью и частично заряженными батареями одновременно.
- Находящиеся в системе JBL On Stage Micro III батареи не перезаряжаются.

ВНИМАНИЕ: риск взрыва батареи, если заменена на батарею неверного типа. Утилизировать использованные батареи согласно инструкциям.

5. Кабелем USB Type Mini-B (в комплект поставки не входит) подключите JBL On Stage Micro III's к USB-порту вашего компьютера.



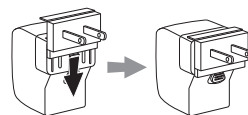
6. Если вы хотите использовать JBL On Stage Micro III с другим источником звука, соедините кабелем 3,5мм стерео (в комплект поставки не входит) гнездо Audio In док-станции и гнездо аудиовыхода или выхода наушников источника сигнала.



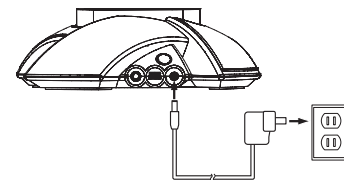
ВНИМАНИЕ: Если вы проигрываете музыку с установленного iPod/iPhone и одновременно с другого источника через вход Audio In, вы будете слышать JBL On Stage Micro III и другой источник сигнала одновременно. Чтобы оставить один источник, вручную отключите ненужный.

7. Подключите шнур адаптера сначала в гнездо JBL On Stage Micro III's 6V DC In, затем в сетевую розетку. Тщательно подключайте кабель (если есть несколько адаптеров, пользуйтесь предназначенным для вашей страны).

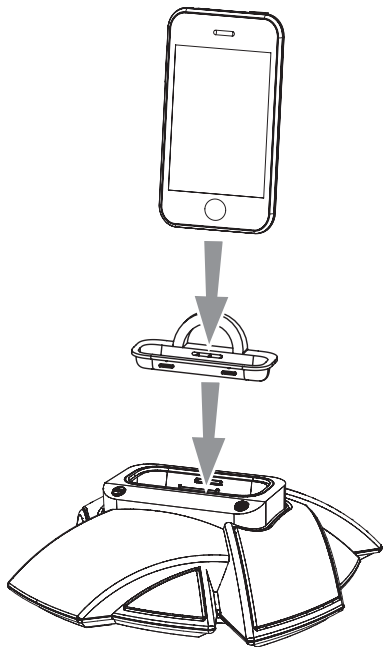
1.



2.

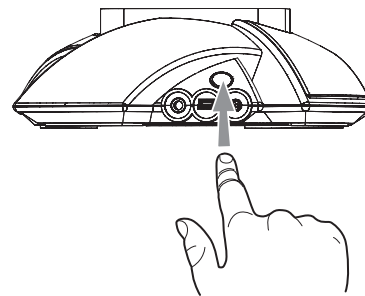


8. Вставьте соответствующий iPod/iPhone адаптер, затем ваш iPod/iPhone. Удостоверьтесь, что iPod/iPhone вставлен до конца.

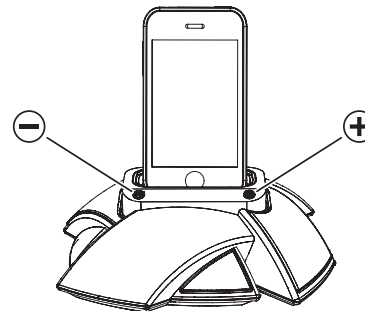


ПРИМЕЧАНИЕ: Если возможно, пользуйтесь адаптером из комплекта вашего iPod или iPhone.

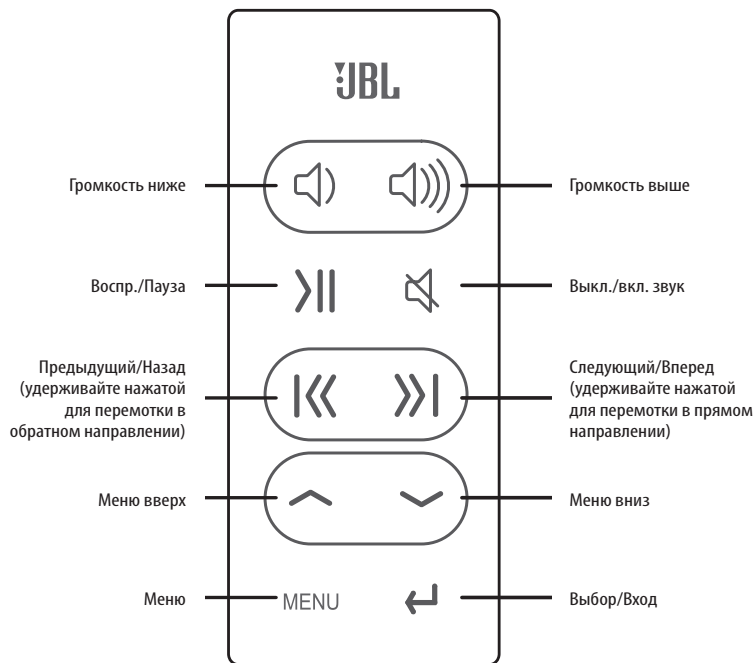
9. Нажмите включатель сети вашего JBL On Stage Micro III. Статусный СД загорится *белым*.



10. Отрегулируйте громкость кнопками (+) и (-). При нажатии обеих кнопок одновременно звук выключается; при нажатии любой кнопки звук вновь включается.



КНОПКИ ПУЛЬТА ДУ



ПРИМЕЧАНИЕ: для навигации по меню iPod touch и iPhone может потребоваться вручную включить ваш iPod/iPhone в музыкальный режим.

СТАТУСНЫЙ СВЕТОДИОД (СД)

СД вашего JBL On Stage Micro III может светиться разными цветами, информируя о статусе:

| Индикация СД | СОСТОЯНИЕ |
|---------------------|--|
| Белый - постоянный | JBL On Stage Micro III включен |
| Белый - моргает | У JBL On Stage Micro III выключен звук |
| Желтый - постоянный | Батарейки сели |
| Желтый - моргает | У JBL On Stage Micro III сели батарейки и выключен звук |
| Не светит | JBL On Stage Micro III или в режиме ожидания, или выключен |

СИНХРОНИЗАЦИЯ С iTunes

ПРИМЕЧАНИЕ: Перед попыткой синхронизировать ваш iPod/iPhone с iTunes, удостоверьтесь, что ваш iPod/iPhone и iTunes обновлены до новейшей версии программы.

Удостоверьтесь также, что JBL On Stage Micro III подключен к компьютеру, на котором установлен iTunes.

1. Установите iPod/iPhone на JBL On Stage Micro III. Удостоверьтесь, что iPod/iPhone установлен прочно.
2. Синхронизируйте ваш iPod/iPhone с iTunes.
3. После окончания синхронизации закройте iTunes.

ЗАРЯДКА iPod/iPhone

JBL On Stage Micro III заряжает подключенный iPod/iPhone при следующих условиях:

- Если JBL On Stage Micro III питается от сети 220 В
- Если JBL On Stage Micro III подключен к компьютеру при помощи USB-кабеля

JBL On Stage Micro III не будет заряжать вставленный iPod/iPhone при батарейном питании до тех пор, пока не будет подключен к компьютеру при помощи USB-кабеля.

РАБОТА JBL ON STAGE MICRO III НА БАТАРЕЙНОМ ПИТАНИИ

Если вставили батареи в JBL On Stage Micro III Инструкция по установке — шаг 3, страница 161, вы можете отключить адаптер JBL On Stage Micro III и прибор будет работать от батареек.

При работе от батареек, JBL On Stage Micro III автоматически переходит в режим ожидания если в течение 5 минут отсутствует аудиосигнал. При появлении сигнала система автоматически включается, а СД загорается.

При включенном сетевом питании JBL On Stage Micro III автоматически включится в режим ожидания если входной сигнал не поступит в течение 10 минут. Как сказано выше, он войдет в рабочий режим при поступлении сигнала, при этом засветится светодиод.

Примечания по работе батареек:

- JBL On Stage Micro III не заряжает аккумуляторы.
- JBL On Stage Micro III не будет заряжать вставленный iPod/iPhone при батарейном питании до тех пор, пока не будет подключен к компьютеру при помощи USB-кабеля.

ПОИСК И УСТРАНЕНИЕ НЕИСПРАВНОСТЕЙ ВАШЕГО JBL ON STAGE MICRO III

| ПРОБЛЕМА | РЕШЕНИЕ |
|---------------------------------------|---|
| Нет звука (белый СД не горит): | <ul style="list-style-type: none">• Удостоверьтесь, что питание JBL On Stage Micro III подключено правильно.• Если док-станция работает от батареек, выньте все 4 батареи и замените их новыми, либо свежезаряженными аккумуляторами. Если статусный СД загорится желтым, элементы питания необходимо заменить.• JBL On Stage Micro III находится в энергосберегающим режиме (звук отсутствовал по крайней мере 10 минут). |
| Нет звука (белый СД горит): | <ul style="list-style-type: none">• Нажмите кнопку (+) для увеличения громкости.• Убедитесь, что вставленный iPod/iPhone вставлен до конца.• Если вы используете внешний источник, убедитесь, что аудио кабель подключен правильно к разъему JBL On Stage Micro III Audio In и к аудио выходу источника.• Удостоверьтесь, что iPod или внешний источник не находятся в режиме Пауза, и что уровень громкости не установлен на минимум. |
| Треск, шумы и свисты: | <ul style="list-style-type: none">• Уменьшите громкость iPod или источника.• Удостоверьтесь, что эквалайзер iPod выключен "Off". |
| Громкий шум или звон: | <ul style="list-style-type: none">• Удостоверьтесь, что аудио кабель прочно подключен к гнезду Audio In.• Замените аудио кабель.• Отключите вилку от розетки и включите ее в другую розетку. |

ПРОБЛЕМА

Уровень максимальной громкости снижен:

Звучит только один динамик:

РЕШЕНИЕ

- JBL On Stage Micro III находится в энергосберегающем режиме. Переключитесь на питание от сети.
- Удостоверьтесь, что iPod/iPhone правильно установлен в док-станцию.
- Удостоверьтесь, что аудио кабель прочно подключен к гнезду Audio In.
- Удостоверьтесь, что аудио кабель является стерео кабелем.

СПЕЦИФИКАЦИЯ

| | |
|---------------------------|---|
| Совместимость: | Доковые версии iPod (включая iPod нано 5 —го поколения, сенсорный iPod 2-го поколения, iPod нано 4-го поколения, iPod классик, сенсорный iPod 1-го поколения, iPod нано 3-го поколения, iPod нано 2-го поколения, iPod 5-го поколения, iPhone 4GB, 8GB, 16GB, iPhone 3G 8GB, 16GB, iPhone 3GS 16GB, 32GB, MP3 и CD плееры, десктоп и лэптоп (все платформы) |
| Динамики: | 2 x 1" (25mm) JBL Odyssey™ широкополосный |
| Мощность: | 2 Вт x 2 |
| Частотная характеристика: | 110Гц — 20кГц |
| Отношение сигнал/шум: | 63дБ |
| Входной импеданс (Внш): | 3 кОм |
| Входные разъемы: | Главный разъем — iPod и iPhone доковой разъем; разъем для внешних источников — 3,5мм стерео мини гнездо |
| Батареи: | 4 x AAA, NiMh или щелочные |
| Питание: | 6 В; 1,5А |
| Потребляемая мощность: | 10Вт (максимум) |
| Габариты (Г x Ш x В): | 168мм x 168мм x 54мм (6-5/8" x 6-5/8" x 2-1/4") |
| Вес: | 0.36кг (0.8 lb) |
| Цвета: | Черный; белый |



HARMAN Harman Consumer, Inc.
8500 Balboa Boulevard, Northridge, CA 91329 USA

www.JBL.com

© 2010 Harman International Industries, Incorporated. Все права защищены.

Функции, характеристики и внешний вид описываемых компонентов могут быть изменены без предварительного уведомления

JBL è un marchio di Harman International Industries, Incorporated, registrato negli Stati Uniti e/o in altri Paesi. Odyssey è un marchio di Harman International Industries, Incorporated

*Торговая марка On Stage используется с разрешения OSA International, Inc.

iPhone, iPod touch, iPod Classic, iPod nano и iTunes — торговые марки Apple Inc., зарегистрированные в США и других странах. iPhone/iPod в комплект поставки не входит.

Надпись "Made for iPod" или "Made for iPhone" означает, что данный аксессуар предназначен специально для iPod или iPhone, соответственно, и сертифицирован изготовителем на соответствие стандартам фирмы Apple. Фирма Apple не несет ответственности за работу этого устройства, а также его соответствие нормативным стандартам и стандартам безопасности.

РУССКИЙ

JBL ON STAGE®* MICRO III

Stacja dokująca z głośnikami, dla urządzeń iPod/iPhone



iPhone/iPod sprzedawany osobno

INSTRUKCJA OBSŁUGI

WAŻNE INFORMACJE DOTYCZĄCE BEZPIECZEŃSTWA

1. Zapoznać się z zamieszczonymi instrukcjami.
2. Należy przestrzegać tych instrukcji.
3. Zwracać uwagę na wszystkie znaki ostrzegawcze.
4. Postępować zgodnie z wszystkimi instrukcjami.
5. Nie wolno używać tego urządzenia w pobliżu wody.
6. Oczyszczać wyłącznie za pomocą suchej szmatki.
7. Nie blokować jakichkolwiek otworów wentylacyjnych. Należy instalować zgodnie z instrukcjami producenta.
8. Nie należy instalować w pobliżu jakichkolwiek źródeł ciepła takich jak grzejniki, nawiewy, piece lub innych urządzeń (w tym wzmacniaczy), które wytwarzają ciepło.
9. Nie należy pomijać zabezpieczeń wtyczki uniwersalnej lub uziemionej. Wtyczka uniwersalna posiada dwa wtyki, z których jeden ma większą szerokość. Wtyczka z uziemieniem posiada dwa wtyki oraz styk uziemiający. Szeroki wtyk lub trzeci styk uziemiający mają na celu bezpieczeństwo użytkownika. Jeżeli wtyczka nie pasuje do gniazda, należy skontaktować się z elektrykiem w celu wymiany gniazda.
10. Przewód zasilający powinien być chroniony przed chodzeniem po nim i zaciskaniem, szczególnie w pobliżu wtyczek i w miejscach wyjścia z urządzeń.
11. Stosować wyłącznie dodatki/akcesoria określone przez producenta.
12. Używać wyłącznie z wózkiem, stojakiem, trójnogiem, podpórką lub stołem, które zostały określone przez producenta lub sprzedane wraz z urządzeniem. Jeżeli używa się wózka, należy zachować ostrożność podczas przemieszczania wózka, aby uniknąć obrażeń spowodowanych wywróceniem.



13. Urządzenie to należy odłączyć od zasilania podczas burz lub gdy nie będzie ono użytkowane przez dłuższy czas.
14. Wszystkie czynności serwisowe należy powierzyć upoważnionemu do tego personelowi. Serwis jest wymagany, gdy urządzenie zostanie uszkodzone w jakikolwiek sposób np. gdy uszkodzona zostanie wtyczka lub przewód zasilający, na urządzenie wylano płyn lub dostały się do niego obce objekty, urządzenie zostało wystawione na działanie deszczu lub wilgoci, nie działa prawidłowo lub zostało ono upuszczone.
15. Należy unikać spryskiwania czy moczenia urządzenia. Nie wolno stawiać na obudowie naczyń wypełnionych płynem.
16. Aby całkowicie odłączyć urządzenie od zasilania, trzeba wyjąć wtyczkę z gniazodka.
17. Wtyczka przewodu zasilania powinna być w stanie umożliwiającym natychmiastowe użycie.
18. Nie należy wystawiać baterii na nadmierne ciepło, pochodzące od słońca, ognia, itp.

Symbol błyskawicy w trójkącie równobocznym ma na celu ostrzec użytkownika przed obecnością „niebezpiecznego napięcia” bez izolacji, znajdującego się w obudowie urządzenia, które może mieć wystarczającą moc do porażenia użytkownika prądem elektrycznym.



Symbol wykrzyknika w trójkącie równobocznym ma na celu ostrzec użytkownika przed obecnością ważnych wskazówek dotyczących działania i utrzymania (serwisowania) w instrukcji dołączonej do urządzenia.

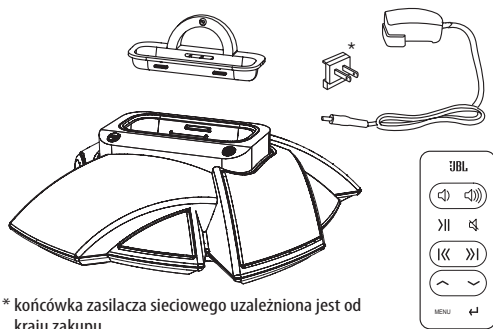


UWAGA: Aby ograniczyć ryzyko pożaru lub porażenia prądem elektrycznym, nie należy wystawiać tego urządzenia na działanie deszczu lub wilgoci.

UWAGA DOTYCZĄCA WSZYSTKICH PRODUKTÓW ELEKTRONICZNYCH: Przed podłączeniem lub odłączeniem przewodów audio lub wtyków poziomu liniowego, zaleca się najpierw wyłączyć urządzenie. Takie postępowanie przedłuży żywotność urządzenia, pomoże chronić je i zapobiec ewentualnym uszkodzeniom.

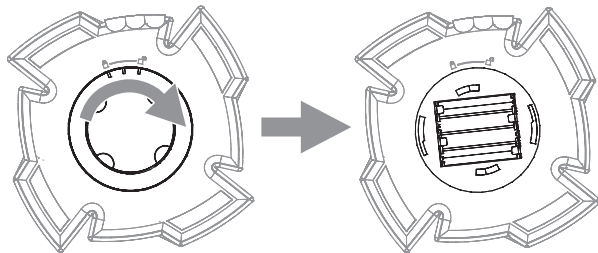
JBL ON STAGE® MICRO III INSTRUKCJA PODŁĄCZANIA

1. Ostrożnie rozpakuj urządzenie, upewniając się, że dostępne są wszystkie elementy przedstawione poniżej: stacja dokująca JBL On Stage® Micro III, zasilacz, pilot oraz przejściówka iPod/iPhone.



* końcówka zasilacza sieciowego uzależniona jest od kraju zakupu.

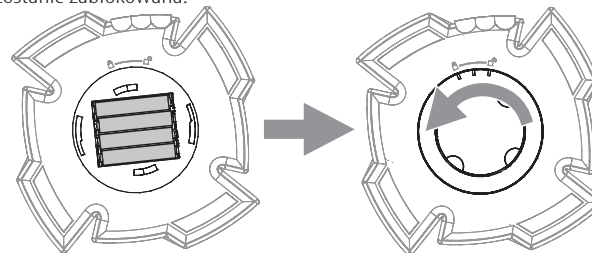
2. Obróć pokrywę komory baterii, a następnie zdejmij ją.



3. Do komory włóż cztery baterie AAA. Zwróć uwagę, aby umieścić ich bieguny zgodnie z oznaczeniem znajdującym się w komorze.

UWAGI DOTYCZĄCE UŻYTKOWANIA BATERII:

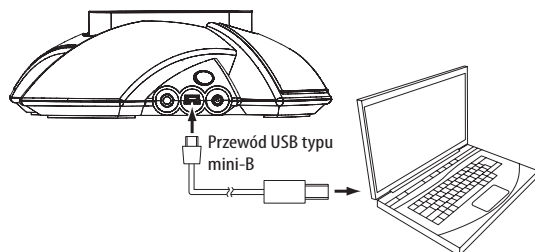
- Przed użyciem baterii akumulatorowych upewnij się, że wszystkie zostały całkowicie naładowane. JBL On Stage Micro III nie ładuje baterii akumulatorowych.
 - Jeżeli stosujesz baterie tradycyjne, upewnij się, że wszystkie są nowe i nierozładowane.
 - Nie mieszaj baterii akumulatorowych z tradycyjnymi. Stosuj baterie tylko jednego rodzaju.
 - Gdy zaistnieje potrzeba wymiany baterii, dioda będzie świecić w kolorze bursztynowym.
4. Ponownie załóż pokrywę komory baterii i obróć ją w pozycję, w której zostanie zablokowana.



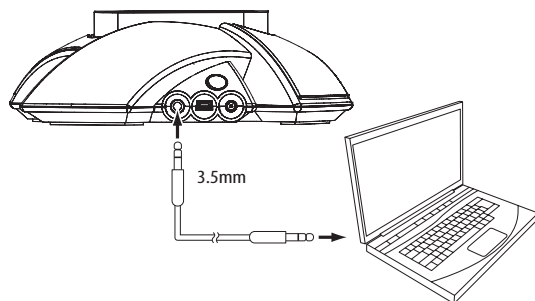
- Nie należy mieszać typów baterii.
- Nie mieszać baterii naładowanych i częściowo naładowanych.
- Baterie nie ładują się, kiedy są włożone do JBL On Stage Micro III.

UWAGA: Jeżeli baterie są zastąpione niewłaściwymi, zachodzi ryzyko eksplozji baterii. Należy się pozbyć zużytych baterii zgodnie z instrukcją.

5. Za pomocą przewodu USB mini-B (nie znajduje się w zestawie) podłącz JBL On Stage Micro III do portu USB komputera, na którym posiadasz program iTunes.

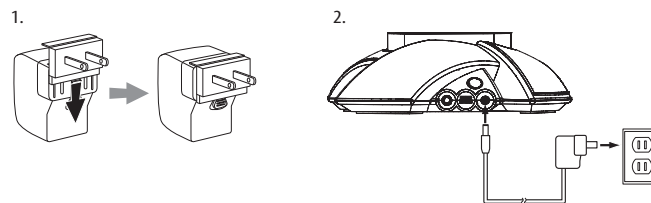


6. Jeżeli chcesz używać JBL On Stage Micro III z innym źródłem dźwięku, podłącz jeden koniec przewodu stereofonicznego 3,5 mm (wyposażenie opcjonalne) do gniazda Audio In stacji dokującej, a drugi koniec do wyjścia audio lub gniazda słuchawkowego źródła dźwięku.

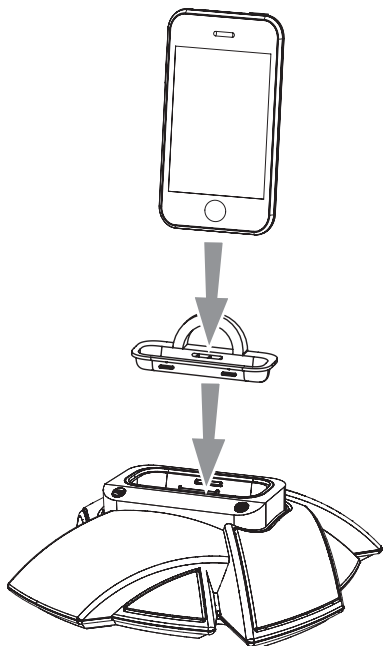


WAŻNE: Jeżeli odtwarzasz muzykę z zadokowanego iPod/iPhone i jednocześnie do wejścia Audio podłączone jest inne źródło dźwięku, słyszalny będzie dźwięk z obu źródeł (zmiksowany przez JBL On Stage Micro III). Aby słuchać dźwięku z jednego źródła należy wyłączyć zbędne urządzenie.

7. Na zasilaczu sieciowym zamontuj załączoną końcówkę (jeżeli dostępnych jest więcej końcówek, zastosuj odpowiednią do kraju użytkownika). Następnie podłącz drugi koniec zasilacza sieciowego do gniazda 6V JBL On Stage Micro III i włóż wtyczkę zasilacza do gniazdka ściennego.

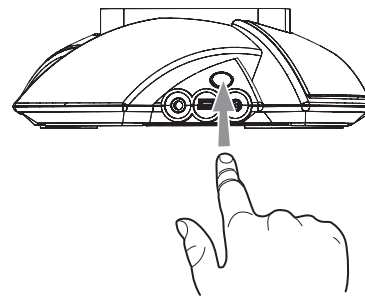


8. W stacji dokującej JBL On Stage Micro III umieść przejściówkę iPod/iPhone, a następnie włóż do niej odpowiednie urządzenie (iPod/iPhone). Upewnij się, że iPod/iPhone jest poprawnie (stabilnie) umieszczony w przejściówce.

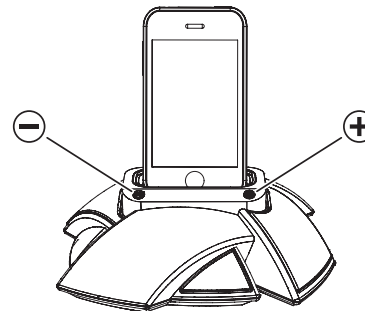


UWAGA: Jeżeli wraz z iPodem (iPhonem) dostarczone osobny adapter – zastąp nim przejściówkę stacji dokującej.

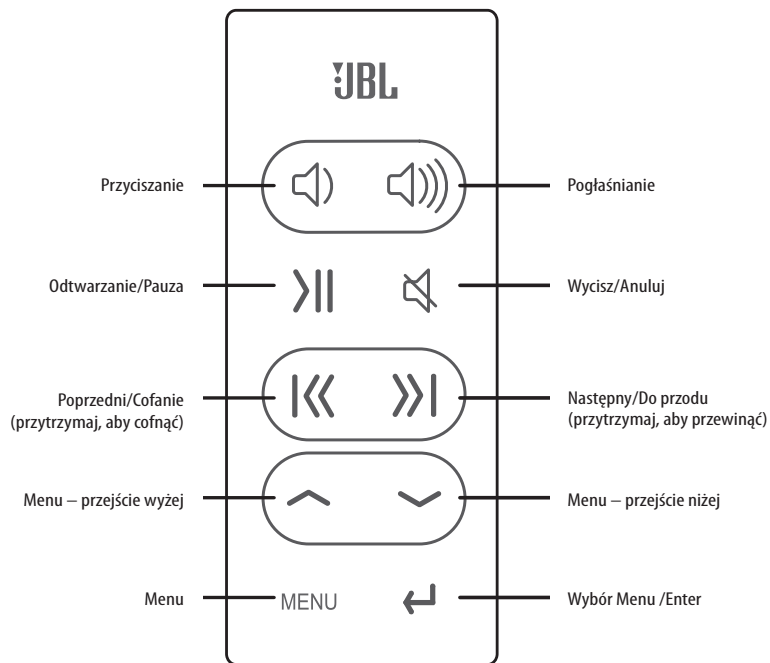
9. Naciśnij przycisk zasilania JBL On Stage Micro III. Diody stacji dokującej będą świecić w kolorze *białym*, gdy urządzenie zostanie *włączone*.



10. Regulację głośności można przeprowadzić za pomocą przycisków (+) oraz (-). Jednoczesne naciśnięcie obu przycisków spowoduje wyciszenie dźwięku; naciśnięcie jednego z przycisków wyłączy wyciszenie.



PRZYCISKI PILOTA ZDALNEGO STEROWANIA



UWAGA: Korzystanie z menu iPod touch lub iPhone'a może wymagać ręcznego wyboru trybu muzycznego iPod/iPhone'a.

DIODA STANU

Kolor światła diody JBL On Stage Micro III wskazuje stan urządzenia:

| KOLOR DIODY | STAN |
|------------------------|---|
| Biały – ciągły | Stacja JBL On Stage Micro III jest włączona. |
| Biały – migający | Stacja JBL On Stage Micro III została wyciszona. |
| Bursztynowy – ciągły | Niski poziom energii baterii. |
| Bursztynowy – migający | Stacja JBL On Stage Micro III została wyciszona, zaś baterie wyczerpują się. |
| Brak | Stacja JBL On Stage Micro III znajduje się w trybie czuwania, lub jest wyłączona. |

SYNCHRONIZACJA Z iTunes

UWAGA: Zanim podejmiesz próbę synchronizacji iPod/iPhone z iTunes, upewnij się, że twój iPod/iPhone oraz iTunes są zaktualizowane do najnowszej wersji oprogramowania.

Przed synchronizacją, pamiętaj aby połączyć port USB JBL On Stage Micro III z portem USB komputera, na którym znajduje się program iTunes.

1. Umieść iPod/iPhone w stacji dokującej JBL On Stage Micro III. Upewnij się, że iPod/iPhone został umieszczony poprawnie (jest stabilny).
2. Za pomocą programu iTunes zainstalowanego na Twoim komputerze zsynchronizuj iPod/iPhone z iTunes.
3. Po zakończeniu synchronizacji, odłącz iPod/iPhone od aplikacji iTunes (wysuń).

ŁADOWANIE iPod/iPhone

Stacja JBL On Stage Micro III umożliwia ładowanie zadokowanego iPod/iPhone, jeżeli spełnione są poniższe warunki:

- Stacja JBL On Stage Micro III jest zasilana za pomocą dedykowanego zasilacza sieciowego.
- Stacja JBL On Stage Micro III jest podłączona do komputera za pomocą przewodu USB.

Gdy stacja JBL On Stage Micro III zasilana jest z baterii, ładowanie zadokowanego iPod/iPhone nie będzie przeprowadzane, chyba że stacja jest jednocześnie podłączona do komputera, za pomocą przewodu USB.

OBSŁUGA STACJI JBL ON STAGE MICRO III ZASILANEJ Z BATERII

Jeżeli umieścisz baterie, zgodnie ze wskazówkami zamieszczonymi w *Instrukcji podłączania JBL On Stage Micro III – krok 3*, na stronie 173, możesz odłączyć zasilacz JBL On Stage Micro III; urządzenie zasilane będzie z baterii.

Podczas pracy na bateriach stacja JBL On Stage Micro III automatycznie przejdzie w stan czuwania, jeżeli jej system nie wykryje sygnału audio przez 5 minut. Po wykryciu sygnału audio urządzenie wznowi pracę, a dioda stanu urządzenia zaświeci się.

Pracując z zasilaniem AC, JBL On Stage Micro III automatycznie przejdzie w stan gotowości jeśli system nie wykryje sygnału audio przez 10 minut. Zasilany jak wyżej, powróci do normalnej pracy po wykryciu sygnału audio i zaświeci się wówczas wskaźnik LED.

Uwagi dotyczące pracy na bateriach:

- Stacja JBL On Stage Micro III nie ładuje baterii akumulatorowych.
- Gdy stacja JBL On Stage Micro III zasilana jest z baterii, ładowanie zadokowanego iPod/iPhone nie będzie przeprowadzane, chyba że stacja jest jednocześnie podłączona do komputera, za pomocą przewodu USB.

ROZWIĄZYWANIE PROBLEMÓW ZWIĄZANYCH Z JBL ON STAGE MICRO III

| PROBLEM | ROZWIĄZANIE |
|--|---|
| Brak dźwięku (dioda nie świeci kolorem białym): | <ul style="list-style-type: none">• Upewnij się, że zasilacz został poprawnie podłączony do urządzenia JBL On Stage Micro III a gniazdko sieciowe jest sprawne.• Gdy korzystasz z zasilania bateryjnego, wymień wszystkie baterie na nowe, lub na świeżo naładowane baterie akumulatorowe. Jeżeli baterie wymagają wymiany, dioda zmieni kolor na bursztynowy.• JBL On Stage Micro III znajduje się w trybie oszczędzania energii (dźwięk nie został wykryty w ciągu ostatnich 10. minut). |
| Brak dźwięku (dioda świeci kolorem białym): | <ul style="list-style-type: none">• Zwiększ głośność, naciskając przycisk pogłaśniania (+).• Jeżeli korzystasz z zadokowanego iPod/iPhone, upewnij się, że został poprawnie umieszczony w JBL On Stage Micro III.• Jeżeli korzystasz z zewnętrznego źródła dźwięku, upewnij się, że przewód audio jest prawidłowo podłączony do wejścia audio JBL On Stage Micro III, jak również do wyjścia urządzenia źródłowego.• Sprawdź, czy iPod lub zewnętrzne źródło dźwięku nie zostały wstrzymane (pauza), a ich głośność nie została zmniejszona do zera. |
| Trzaski, syczenie lub zniekształcenia dźwięku: | <ul style="list-style-type: none">• Zmniejsz głośność iPoda lub zewnętrznego źródła dźwięku.• Sprawdź, czy korektor graficzny (EQ) iPoda jest wyłączony (off). |
| Głośnie buczenie lub szumy: | <ul style="list-style-type: none">• Sprawdź, czy przewód audio został podłączony do gniazda wejściowego.• Wymień przewód audio.• Odłącz zasilacz sieciowy i podłącz go do innego gniazda zasilania. |

PROBLEM

Głośność maksymalna jest ograniczona:

Dźwięk wydobywa się tylko z jednego głośnika:

ROZWIĄZANIE

- JBL On Stage Micro III znajduje się w trybie oszczędzania baterii (BCM). Aby wykorzystać pełną moc, podłącz zasilanie sieciowe.
- Sprawdź czy iPod/iPhone jest poprawnie umieszczony w złączu dokującym.
- Upewnij się, że przewód audio został poprawnie podłączony do wejścia audio.
- Sprawdź, czy przewód audio jest przewodem stereofonicznym.

SPECYFIKACJA TECHNICZNA

| | |
|-------------------------------|---|
| Kompatybilność: | Stacja dokująca dla: iPoda (w tym: iPod nano 5-tej generacji, iPod touch 2-giej generacji, iPod nano 4-tej generacji, iPod classic, iPod touch 1-szej generacji, iPod nano 3-ciej generacji, iPod nano 2-giej generacji, iPod 5-tej generacji, iPhone 4GB, 8GB, 16GB, iPhone 3G 8GB, 16GB, iPhone 3GS 16GB, 32GB), odtwarzaczy MP3 oraz CD, komputerów stacjonarnych oraz laptopów (wszystkie systemy). |
| Przetworniki: | 2 x 1" (25mm) JBL Odyssey™ (pełnozakresowe) |
| Moc: | 2 waty x 2 |
| Zakres częstotliwości: | 110Hz – 20kHz |
| Stosunek sygnału do szumu: | 63dB |
| Impedancja wejściowa (aux): | 3k omy |
| Gniazda wejściowe: | Gniazdo podstawowe – złącze dokujące iPoda oraz iPhona; wejście aux – 3,5 mm (1/8") stereo mini jack |
| Zasilanie bateryjne: | 4 x AAA, NiMh lub alkaliczne |
| Zasilanie: | Zasilacz 6V DC, 1.5A |
| Pobór mocy: | 10W (maximum) |
| Wymiary (gł. x szer. x wys.): | 168mm x 168mm x 54mm (6-5/8" x 6-5/8" x 2-1/4") |
| Masa: | 0,36 kg (0,8 funta/lb) |
| Dostępne kolory: | Czarny, biały. |



Harman Consumer, Inc.
8500 Balboa Boulevard, Northridge, CA 91329 USA

www.JBL.com

© 2010 Harman International Industries, Incorporated. Wszelkie prawa zastrzeżone.

Cechy, dane techniczne i wygląd produktów mogą być przedmiotem zmian bez uprzedniego poinformowania.

JBL to znak towarowy Harman International Industries, Incorporated zarejestrowane w Stanach Zjednoczonych i/lub innych krajach. Odyssey i to znak towarowy Harman International Industries, Incorporated.

*Znak handlowy On Stage używany za zezwoleniem OSA International, Inc.

iPhone, iPod touch, iPod classic, iPod nano oraz iTunes to znaki towarowe Apple, Inc., zarejestrowane w Stanach Zjednoczonych i innych krajach. iPod/iPhone sprzedawane osobno.

Znaki „Made for iPod” oraz „Made for iPhone” oznaczają, że dane urządzenie elektroniczne jest przeznaczone (odpowiednio) dla iPoda lub iPhona, oraz, że posiada certyfikat zgodności ze standardami Apple, wystawiony przez producenta urządzenia. Firma Apple nie ponosi odpowiedzialności za działanie takiego urządzenia i jego zgodność z obowiązującymi przepisami dotyczącymi bezpieczeństwa i innymi regulacjami prawnymi.

JBL ON STAGE^{®*} MICRO III

Coluna de som com dock para iPod e iPhone



iPod/iPhone não incluído.

MANUAL DE UTILIZAÇÃO

INSTRUÇÕES DE SEGURANÇA

1. Leia atentamente estas instruções.
2. Conserve estas instruções.
3. Respeite todos os avisos de segurança.
4. Siga todas as instruções.
5. Não utilize este aparelho perto de água.
6. Limpe apenas com pano seco.
7. Não bloqueie a ventilação. Instale de acordo com as instruções do fabricante.
8. Não instale perto de aparelhos como radiadores, aquecedores, ou outros aparelhos (incluindo amplificadores) que produzam calor.
9. Não danifique a ficha AC polarizada ou de ligação trifásica. A ficha polarizada tem dois pinos sendo que um deles é maior. Já a ficha trifásica tem dois pinos e mais um de terra. O pino maior ou o pino de terra são concebidos para sua segurança. Se os pinos não forem compatíveis com a sua tomada AC, neste caso deverá solicitar a um técnico a substituição da tomada AC obsoleta.
10. Proteja o cabo de corrente de pisadelas ou cortes, especialmente as fichas ou todos os receptáculos de ligações de e para o aparelho.
11. Utilize apenas acessórios especificados pelo fabricante.
12. Use somente suportes ou apoios especificados pelo fabricante, ou ainda vendidos com o equipamento. Quando este suporte é utilizado, utilize este suporte com aparelho com muito cuidado no sentido de evitar algum dano.



13. Desligue da tomada durante intempéries ou no caso de longos períodos de inactividade.
14. Direcione todas as intervenções aos serviços certificados. Intervenções serão imperativas no caso de algum dano, tal como dano no cabo/ficha de corrente, no caso de derrame de líquidos no aparelho, no caso de exposição exterior a chuva ou condições adversas, no caso de não funcionar correctamente, ou ainda no caso de queda.
15. Não exponha este aparelho a salpicos, a recipientes com líquidos tais como vasos, por cima ou perto do aparelho.
16. Para desligar completamente o equipamento da corrente AC, retire o cabo de corrente do receptáculo AC.
17. A ficha de corrente AC deverá estar sempre em perfeitíssimas condições.
18. Não exponha as baterias a condições extremas tais como calor excessivo.



A simbologia de um raio, dentro de um triângulo, entende-se por um alerta ao utilizador no sentido de existir risco de choque eléctrico, ou alta voltagem” no interior da estrutura do aparelho e que pode constituir um risco para qualquer pessoa.



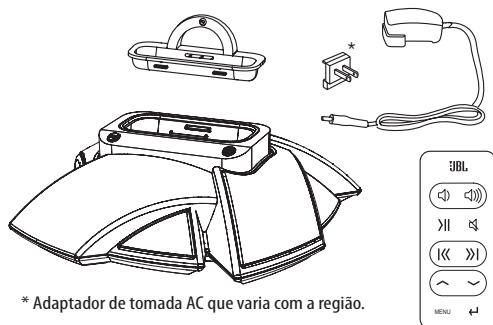
O ponto de exclamação dentro de um triângulo, entende-se por um alerta ao utilizador no sentido de necessidade de intervenção técnica(serviço), instruções poderão ser encontradas no manual deste produto.

AVISO: Para reduzir o risco de fogo ou choque eléctrico, não exponha este aparelho a condições extremas de humidade ou chuva.

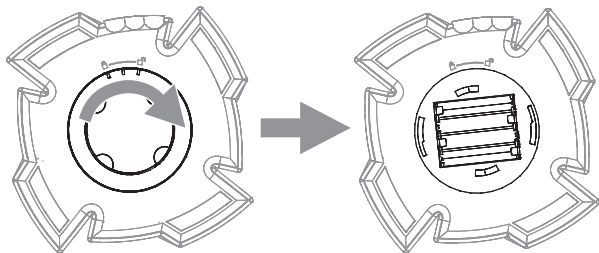
NOTA IMPORTANTE PARA TODOS OS PRODUTOS ELECTRÓNICOS: Antes de inserir ou desligar cabos de áudio dos auscultadores ou fichas de saída do nível de linha do dispositivo de origem, é aconselhável desligar primeiro o dispositivo. Isto irá prolongar a vida a sua unidade, ajudar a proteger o seu dispositivo contra a electricidade estática e evitar potenciais danos.

JBL ON STAGE® MICRO III INSTRUÇÕES DE CONFIGURAÇÃO RÁPIDA

1. Com cuidado retire da embalagem as colunas de som com dock e confirme se estão incluídos, todos os itens a seguir mencionados: colunas com dock JBL On Stage® Micro III, alimentador, controlo remoto e adaptador iPod/iPhone.



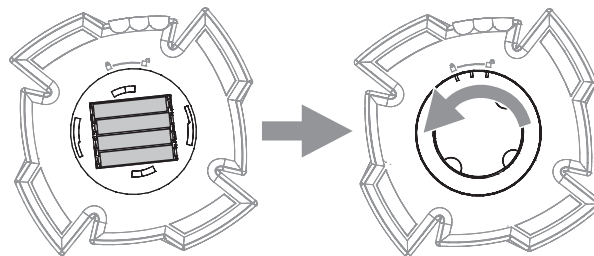
2. Rode a porta da bateria para a posição de desbloqueada e retire-a.



3. Introduza 4 baterias AAA neste compartimento. Verifique a polaridade da bateria que está indicada no interior do compartimento da bateria.

NOTAS SOBRE O USO DA BATERIA:

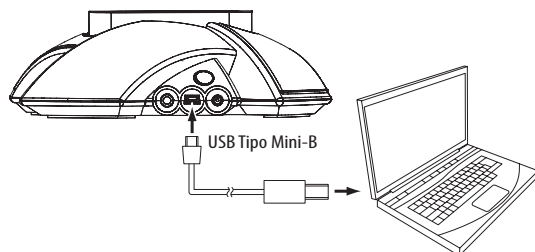
- Se estiver a usar baterias recarregáveis, verifique se estão todas carregadas antes de as colocar. O JBL On Stage Micro III não carrega baterias recarregáveis.
 - Se estiver a usar baterias convencionais, verifique se são todas novas.
 - Não use uma combinação de baterias recarregáveis e convencionais. Use todas de um tipo ou de outro.
 - O Estado do LED fica âmbar quando as baterias necessitam ser substituídas.
4. Torne a colocar a porta da bateria e rode-a para a posição de fechada.



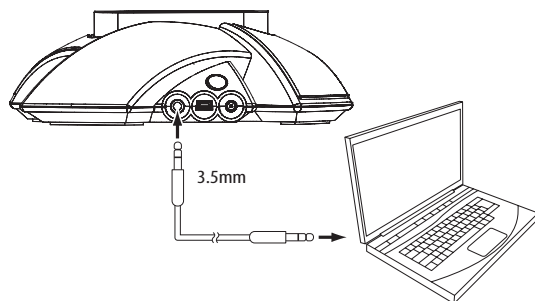
- NÃO MISTURE TIPOS DE PILHAS.
- NÃO MISTURE PILHAS CARREGADAS E PARCIALMENTE CARREGADAS.
- AS PILHAS NÃO SÃO RECARREGADAS DENTRO DA UNIDADE.

ATENÇÃO: RISCO DE EXPLOSÃO DA PILHA SE FOR SUBSTITUÍDA POR UM TIPO DE PILHA INCORRECTA. ELIMINE AS PILHAS USADAS DE ACORDO COM AS INSTRUÇÕES.

5. Ligue um cabo Mini USB - B (não incluído) à porta USB da JBL On Stage Micro III, no computador no qual está localizado o seu iTunes.



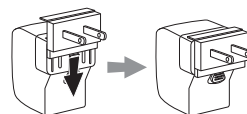
6. Se vai usar a JBL On Stage Micro III, com outra fonte de áudio, ligue uma das extremidades do cabo estéreo de 3,5mm (não incluído) no conector de Áudio In, e ligue a outra extremidade na fonte de áudio ou num conector para auscultadores.



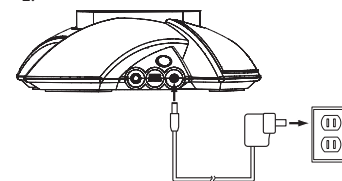
IMPORTANTE: Se estiver a reproduzir áudio através dum iPod/iPhone e com uma fonte de áudio ligada para o Áudio In Connection ao mesmo tempo, poderá ouvir ambas as saídas misturadas através do JBL On Stage Micro III. Para ouvir uma só fonte necessita desligar manualmente a fonte que não pretende ouvir.

7. Introduza o adaptador de tomada AC, duma só vez no alimentador (se existir mais do que um adaptador, use o correcto para a região onde se encontra). Depois ligue o alimentador no conector In da JBL On Stage Micro III e ligue-o a uma tomada de parede AC.

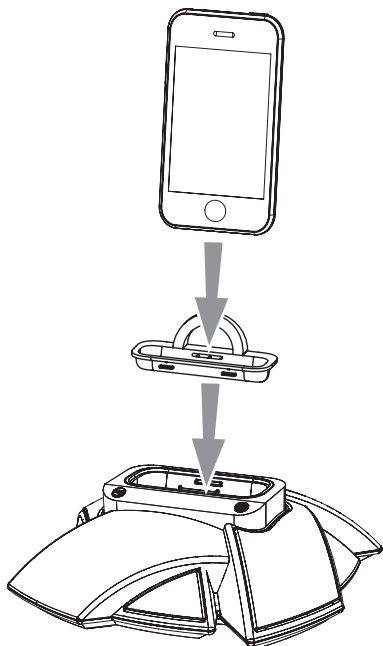
1.



2.

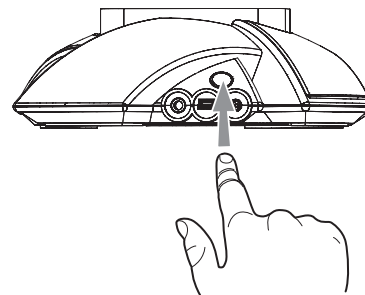


8. Coloque o adaptador iPod/iPhone apropriado também no iPod da JBL On Stage Micro III e coloque o seu iPod/iPhone no conector da estação. Certifique-se que o iPod/iPhone está bem inserido no conector.

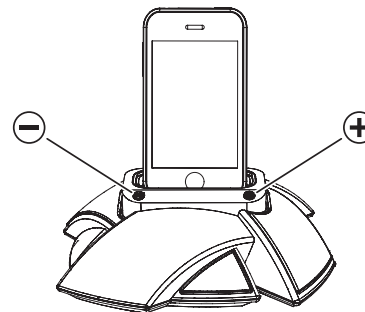


NOTA: Se aplicável, use o adaptador fornecido com o seu iPhone, iPod.

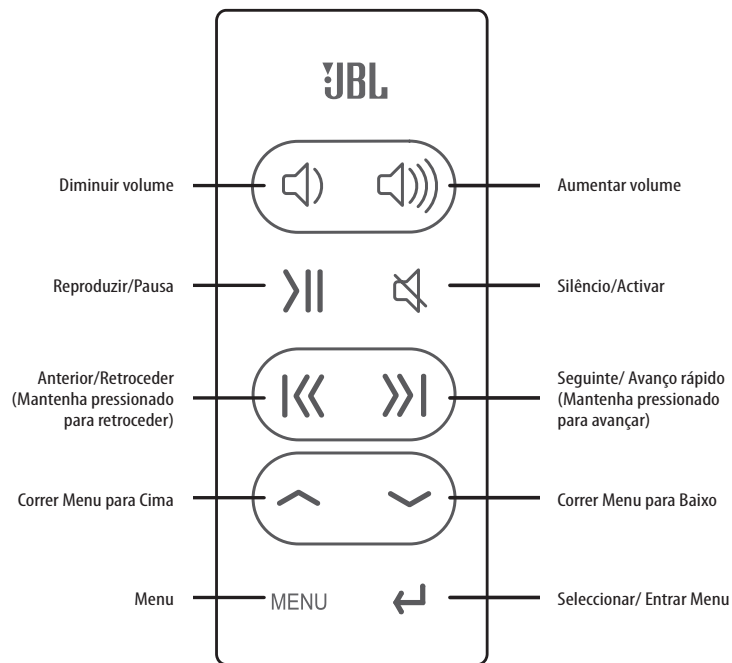
9. Pressione o botão On/Off (Ligar/Desligar) da JBL On Stage Micro III. O LED de estado do equipamento acenderá uma luz branca quando o sistema está ligado.



10. Faça o ajuste do volume usando os botões (+) e (-). Pressione ambos os botões para retirar completamente o som, pressione ambos os botões para activar de novo o som.



BOTÕES DO CONTROLO REMOTO



NOTA: O menu de navegação do Ipod táctil e do iPhone podem exigir que entre manualmente no modo de música iPod/iPhone.

LED ESTADO

O LED da JBL On Stage Micro III acenderá com luz de cores diferentes para indicar o estado da unidade:

| Visor LED | Estado |
|--------------------|---|
| Branco - Constante | A JBL On Stage Micro III está ligado |
| Branco - A piscar | A JBL On Stage Micro III está no silêncio |
| Âmbar - Constante | Bateria fraca |
| Âmbar - A piscar | A JBL On Stage Micro III está no silêncio e a bateria está fraca |
| Sem LED | A JBL On Stage Micro III em Modo de Espera está ligado ou desligado |

SINCRONIZAR COM O iTunes

NOTA: Antes de tentar sincronizar o seu iPod/iPhone com o iTunes, certifique-se que o seu iPod/iPhone e iTunes estão actualizados para a última versão software.

Antes de tentar sincronizar, certifique-se que a porta USB da JBL On Stage Micro III, está ligada ao computador no qual está localizado o seu iTunes.

1. Coloque o seu iPod/iPhone no conector da coluna de som com dock da JBL On Stage Micro III. Certifique-se que o iPod/iPhone está bem inserido no conector.
2. Use o software iTunes do seu computador para sincronizar o iPod/iPhone com o iTunes.
3. Quando tiver terminado a sincronização, ejecte o iPod/iPhone do iTunes.

Carregar iPod/iPhone

A JBL On Stage Micro III carregará o iPod/iPhone em estação nas seguintes condições:

- Quando a JBL On Stage Micro III está a ser alimentada pelo adaptador de corrente AC
- Quando a JBL On Stage Micro III está ligada a um computador através do cabo USB

A JBL On Stage Micro III não carregará iPod/iPhone enquanto estiver a ser alimentada por bateria a menos que também esteja ligada a um computador através do cabo USB.

COLOCAR EM FUNCIONAMENTO A SEU JBL ON STAGE®* MICRO III, COM ALIMENTAÇÃO A BATERIA

Se introduziu as baterias como descrito na *JBL On Stage Micro III, Instruções de configuração rápida- Passo 3*, na página 185, pode desligar o adaptador de corrente da JBL On Stage Micro III e o equipamento funcionará com alimentação a bateria.

Enquanto estiver a funcionar a bateria, a JBL On Stage Micro III entrará automaticamente no modo Em Espera após o sistema não detectar sinal de áudio durante 5 minutos. Após detectar sinal de áudio o sistema voltará ao funcionamento normal e o LED acenderá.

Quando está a funcionar com alimentação AC, o JBL On Stage Micro III entrará automaticamente no modo em espera após o sistema não detectar sinal áudio durante 10 minutos. Como acima indicado, voltará ao funcionamento normal após ter detectado sinal de áudio, e o LED acender-se-á.

Notas sobre a alimentação bateria:

- A JBL On Stage Micro III não carrega baterias recarregáveis.
- A JBL On Stage Micro III não carregará o iPod/iPhone em estação enquanto estiver a ser alimentado por bateria a menos que também esteja ligado a um computador através do cabo USB

RESOLUÇÃO DE PROBLEMAS DA JBL ON STAGE MICRO III

| PROBLEMA | SOLUÇÃO |
|--|--|
| Sem som (o led branco não está aceso) | <ul style="list-style-type: none">• Certifique-se que o fornecimento de corrente está correctamente ligado à JBL On Stage Micro III e a uma tomada AC a funcionar.• Se estiver a usar alimentação a bateria, substitua todas as 4 baterias por novas ou por baterias recarregáveis completamente carregadas. O LED âmbar acende-se se as baterias necessitarem de ser substituídas.• A JBL On Stage Micro III está no modo poupança de energia (não foi detectado qualquer som durante pelo menos 10 minutos). |
| Sem som (o led branco está aceso) | <ul style="list-style-type: none">• Toque no botão Aumentar Volume (+) para aumentar o volume do sistema.• Se estiver a usar uma estação de iPod/iPhone, certifique-se que está adequadamente ligado ao JBL On Stage Micro III.• Se estiver a usar uma fonte auxiliar, certifique-se que o cabo áudio está correctamente ligada à conector Áudio In JBL On Stage Micro III e a uma fonte do componente de saída áudio.• Certifique-se que o iPod ou o componente fonte não está no modo Pausa, e que o seu controlo de volume não está completamente desligado. |
| Som emite estalidos, assobios ou está distorcido: | <ul style="list-style-type: none">• Baixe o volume do iPod ou do componente da fonte.• Verifique se a configuração EQ do iPod está "off" (Desligado). |
| Roncos ou zumbidos alto: | <ul style="list-style-type: none">• Certifique-se que o cabo áudio está bem inserido na tomada de Entrada de Áudio.• Torne a colocar o cabo áudio.• Desligue a fonte de alimentação e ligue-a a uma tomada AC diferente. |

PROBLEMA

Nível de volume máximo é reduzido:

SOLUÇÃO

• A JBL On Stage Micro III está no Modo Conservação da Bateria (BCM). Mude para alimentação AC para um melhor desempenho.

O som vem só de um dos altifalantes:

- Certifique-se que o iPod/iPhone está bem inserido no conector da estação.
- Certifique-se que o cabo áudio está bem inserido na tomada de Áudio In.
- Certifique-se que o cabo áudio é um cabo estéreo.

ESPECIFICAÇÕES

| | |
|------------------------------|--|
| Compatibilidade: | As versões Estação iPod (incluindo o iPod nano 5ª geração, o iPod táctil 2ª geração, iPod nano 4ª geração, o iPod classic, o iPod táctil 1ª geração, o iPod nano 3ª geração, o iPod nano 2ª geração, o iPod 5ª geração, e iPod 4GB, 8GB, 16GB, o iPhone 3G, 8GB, 16GB, iPhone 3GS, 16GB, 32GB MP3 e leitores de CD, computadores pessoais e portáteis (todas as plataformas) |
| Transdutores: | 2 x 1" (25mm) JBL Odyssey™ toda a gama |
| Alimentação: | 2 watts x 2 |
| Resposta frequência: | 110Hz – 20kHz |
| Relação sinal/ruído: | 63dB |
| Impedância de entrada (Aux): | 3k ohms |
| Ligações entrada: | Ligação geral - Conector de estação iPod e iPhone; entrada ligação Aux - 3.5mm (1/8") mini-tomada estéreo |
| Requisitos da bateria: | 4 x AAA, NiMh ou alcalina |
| Requisitos da alimentação: | 6V DC, 1.5A |
| Consumo de energia: | 10W (máximo) |
| Dimensões (P x L x A): | 168mm x 168mm x 54mm (6-5/8" x 6-5/8" x 2-1/4") |
| Peso: | 0.36kg (0.8 lb) |
| Acabamentos disponíveis: | Preto, branco |



Harman Consumer, Inc.
8500 Balboa Boulevard, Northridge, CA 91329 USA

www.JBL.com

© 2010 Harman International Industries, Incorporated. Todos os direitos reservados.

As funções, as especificações e o aspecto estão sujeitos a alteração sem aviso prévio.

JBL é uma marca comercial da Harman International Industries, Incorporated, registada nos Estados Unidos e/ou noutros países. Odyssey é uma marca comercial da Harman International Industries, Incorporated.

*A marca comercial On Stage é usada som a autorização de OSA International, Inc.e

“Produzido para iPod” e “Produzido para iPhone” significa que um acessório electrónico foi projectado para ligar especificamente ao iPod e iPhone, respectivamente, e foi certificado pelo fabricante para estar em conformidade com os requisitos de desempenho da Apple. A Apple não se responsabiliza pelo funcionamento deste dispositivo ou em relação à sua conformidade com as normas padrão de segurança.

JBL ON STAGE^{®*} MICRO III

iPod/iPhone 揚聲器底座



不包含iPod/iPhone



使用者手冊

重要安全說明

1. 閱讀這些說明。
2. 收妥這些說明。
3. 注意所有警告。
4. 遵循所有說明。
5. 請勿在水附近使用此裝置。
6. 僅限以乾布清潔。
7. 請勿阻礙任何通風口。請遵照製造商的說明安裝。
8. 請勿在散熱器、電熱器、火爐或其他生熱裝置（包括增幅器）這類熱源附近安裝。
9. 請勿妨礙極性或接地類插頭的安全用途。極性插頭有兩個銅片，一寬一窄。接地型插頭有兩個銅片和第三個接腳。寬銅片或第三個接腳是基於安全目的提供。如果隨附的插頭插不進插座，請洽詢電工換掉舊式插座。
10. 請保護電源線不要被踐踏或夾住，尤其是插頭插頭、便利插座及裝置與電源線交界處。
11. 僅限使用製造商指定的附件/配件。
12. 僅限使用製造商指定或裝置隨附的手推車、架子、三腳架、支架或桌子。若使用手推車，移動手推車/裝置組合時請謹慎，避免因翻倒而受傷。
13. 雷雨或長時間不用時，請拔掉此裝置插頭。
14. 維修一律交由合格維修人員負責。裝置出現諸如下列損壞時必須維修：電源供應線或插頭受損時、裝置潑到水或被物體砸到時、裝置淋到雨或受潮時、裝置運作不正常時，或裝置掉落時。
15. 此裝置請勿被水滴到或濺到，也不要將花瓶這類裝水的物體置於裝置上。
16. 若要從交流電源完全拔下裝置，請從交流插座拔下電源供應線插頭。
17. 電源供應線的電源插頭必須保持隨時可用。
18. 電池請勿受熱，例如日照或是火。



平行三角形中帶有箭頭的閃電符號，目的在於提醒使用者注意產品外殼內有非絕緣的「危險電壓」，強度可能足以構成觸電的風險。



平行三角形內的驚嘆號，目的在於提醒使用者注意產品隨附文件內的重要操作與維護（維修）說明。

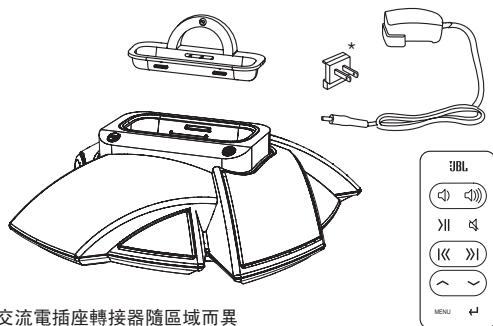
警告：為降低火災或觸電風險，此裝置請勿淋雨或受潮。



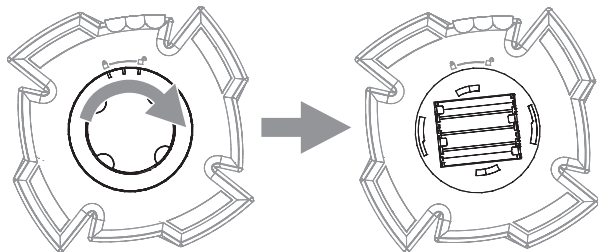
所有電子產品重要注意事項：插入或拔下來源裝置耳機或線路位準輸出插孔的音訊纜線前，不妨先關閉裝置。此舉有助於延長裝置壽命，並協助裝置不受靜電損害或避免潛在損壞。

JBL ON STAGE** MICRO III 簡易設定手冊

1. 小心將揚聲器底座的包裝打開，確認此處所示的項目無一缺漏： JBL On Stage Micro III 揚聲器底座、電源供應器、遙控器與 iPod/iPhone 轉接器。



2. 將電池護蓋旋轉至開啟的位置然後取下。

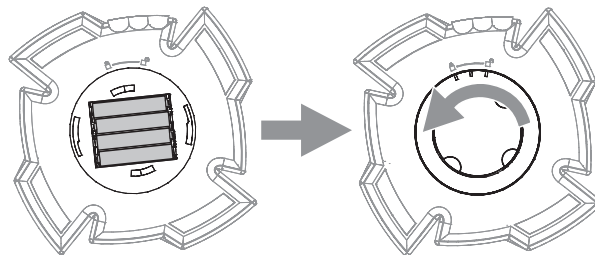


3. 將四顆 AAA 電池放入凹槽。注意電池槽內所標示的電池極性

電池使用注意事項

- 如果您使用的是充電電池，先確定全部都充飽電再放入。JBL On Stage Micro III 不會為充電電池充電。
- 如果您使用的是傳統電池，確定所有電池都是新的。
- 請勿混用充電電池與傳統電池。全部都使用同一種類型。
- 當狀態指示燈呈琥珀色時，需要更換電池。

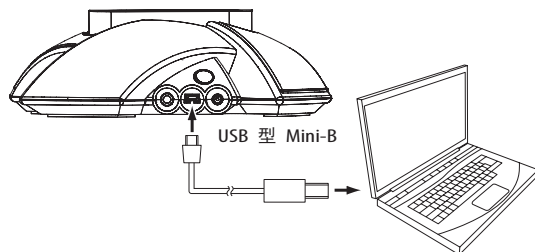
4. 放回電池護蓋，然後旋轉至鎖定的位置



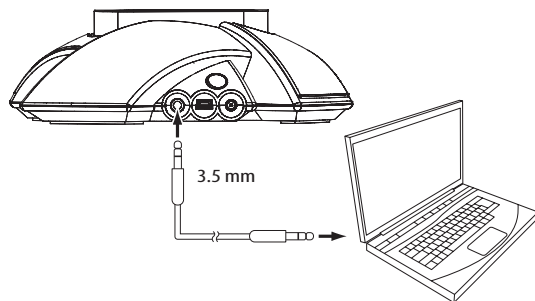
- 請勿混用不同類型的電池。
- 請勿混用已充電與未完全充電的電池。
- 電池還在 JBL On Stage Micro III 中時，不會重新充電。

警告：如果裝入錯誤類型的電池，可能引起池爆炸。根據使用說明處理用過的電池。

5. 將 USB 型 Mini-B 纜線（未隨附）連接至 JBL On Stage Micro III 的 USB 連接埠，以及 iTunes 所在電腦的 USB 連接埠。



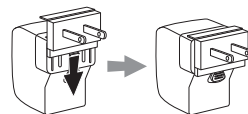
6. 如果您要將 JBL On Stage Micro III 搭配另一個音訊來源使用，將 3.5mm 立體聲纜線（未隨附）的一端插入音訊輸入接頭，並且將另一端插入音訊來源的音訊輸出或耳機輸出接頭。



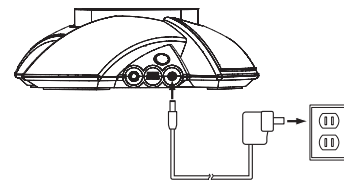
重要事項： 如果透過已連線的 iPod/iPhone 和連接至音訊輸入連接的音訊來源播放音訊，就會同時從 JBL On Stage Micro III 聽到兩者混合的輸出。如果只想聽到一個來源，必須手動關閉您不想聽到的來源。

7. 將隨附的交流電插座轉接器完全插入電源供應器（如果有多個轉接器，使用您所在地區適用的轉接器）。然後將電源供應器連接至 JBL On Stage Micro III 的 6V DC In 接頭，然後插入交流電牆壁插座。

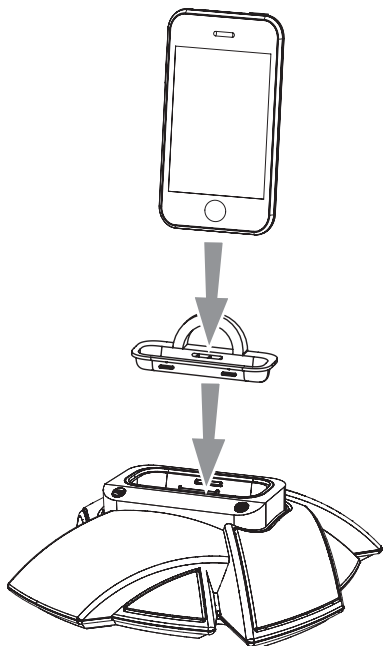
1.



2.

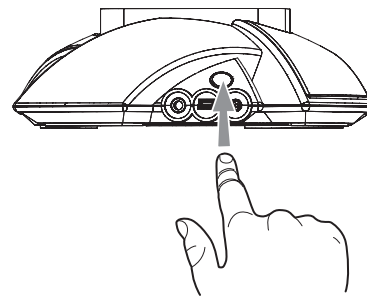


8. 將適當的 iPod/iPhone 轉接器置於 JBL On Stage Micro III 的 iPod 井孔，並且將 iPod/iPhone 置於連線接頭。確定 iPod/iPhone 已完全插入接頭。

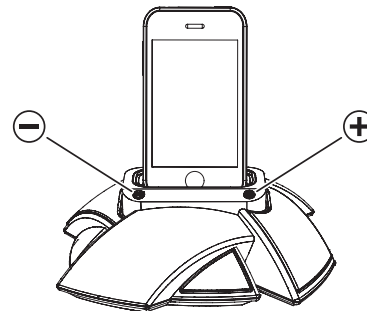


附註： 如果適用，使用 iPod 或 iPhone 隨附的轉接器。

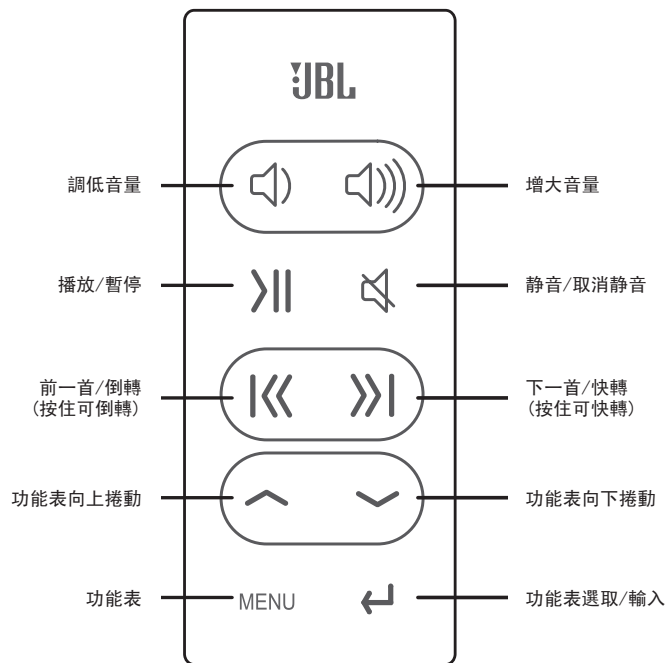
9. 按下 JBL On Stage Micro III 的開/關按鈕。系統開啟時，裝置的狀態 LED 會亮白燈。



10. 使用 (+) 和 (-) 按鈕調整音量。同時按下兩個按鈕可靜音；按下其中一個按鈕可取消靜音。



遙控器按鈕



附註：iPod touch 與 iPhone 功能表導覽，可能需要您以手動方式將 iPod/iPhone 設為音樂模式。

狀態 LED

JBL On Stage Micro III 的 LED 會顯示不同顏色來表示裝置的狀態：

| LED 顯示 | 狀態 |
|----------|----------------------------------|
| 白色 - 穩定 | JBL On Stage Micro III 開啟 |
| 白色 - 閃爍 | JBL On Stage Micro III 靜音 |
| 琥珀色 - 穩定 | 電池電量不足 |
| 琥珀色 - 閃爍 | JBL On Stage Micro III 靜音且電池電量不足 |
| 無 LED | JBL On Stage Micro III 處於待命或關閉 |

與 iTunes 同步化

附註：嘗試將 iPod/iPhone 與 iTunes 同步化之前，先確定 iPod/iPhone 與 iTunes 都已更新至最新的軟體版本。

嘗試同步化之前，先確定 JBL On Stage Micro III 的 USB 連接埠已經連接至 iTunes 所在的電腦。

1. 將 iPod/iPhone 置於 JBL On Stage Micro III 的連線接頭。確定 iPod/iPhone 已完全插入接頭。
2. 使用電腦的 iTunes 軟體，將 iPod/iPhone 與 iTunes 同步化。
3. 同步化完成時，從 iTunes 退出 iPod/iPhone。

iPod/iPhone 充電

在以下情況，JBL On Stage Micro III 會為連線的 iPod/iPhone 充電：

- JBL On Stage Micro III 由直流電變壓器供電時
- JBL On Stage Micro III 透過 USB 纜線連接至電腦時

JBL On Stage Micro III 不會為使用電池電力的連線 iPod/iPhone（除非透過 USB 纜線連接至電腦）充電。

以電池電力運作 JBL ON STAGE MICRO III

如果您遵照《JBL On Stage Micro III 簡易設定手冊》- 第 3 頁步驟 209 的說明放入電池，可以拔下 JBL On Stage Micro III 的電源轉接器，並且讓裝置以電池電力運作。

JBL On Stage Micro III 以電池電力運作時，會在系統偵測不到音訊信號 5 分鐘後，自動進入待命模式。系統偵測到音訊信號時，便會重新正常運作，而且 LED 會亮起。

使用AC電源時，若系統在10分鐘內未偵測到音效訊號，JBL On Stage Micro III 將自動進入待機模式。一旦偵測到音訊後，便會回復至正常狀態，LED顯示燈也會亮起。

電池電力運作注意事項：

- JBL On Stage Micro III 不會為充電電池充電。
- JBL On Stage Micro III 不會為使用電池電力的連線 iPod/iPhone（除非透過 USB 纜線連接至電腦）充電。

JBL ON STAGE MICRO III 疑難排解

| 問題 | 解決方式 |
|--------------------|--|
| 沒有聲音 (白色 led 未亮起): | <ul style="list-style-type: none">• 確定電源供應器正確連接至 JBL On Stage Micro III 及功能正常的交流電插座。• 如果正在使用電池電力，將全部四顆電池都換成全新的拋棄式電池或充飽電的充電電池。當狀態指示燈呈琥珀色時，需要更換電池。• JBL On Stage Micro III 處於節能模式 (至少 10 分鐘沒有偵測到聲音)。 |
| 沒有聲音 (亮白色 led): | <ul style="list-style-type: none">• 按下調高音量 (+) 按鈕調高系統音量。• 如果正在使用連線的 iPod/iPhone，確定已正確連線 JBL On Stage Micro III。• 如果正在使用輔助來源，確定音訊纜線已正確連接至 JBL On Stage Micro III 的音訊輸入接頭和來源元件的音訊輸出。• 確定 iPod 或來源元件不是處於暫停模式，而且音量控制並未調到最低。 |
| 聲音劈啪作響、發出嘶嘶聲或失真: | <ul style="list-style-type: none">• 調低 iPod 或來源元件的音量。• 確定 iPod 的 EQ 設定已設為「關閉」。 |
| 發出嗡嗡聲: | <ul style="list-style-type: none">• 確定音訊纜線已完全插入音訊輸入插孔。• 更換音訊纜線。• 拔下電源供應器，然後連接至不同的交流電插座。 |

問題

解決方式

最大音量等級降低:

- JBL On Stage Micro III 處於節省電池模式 (BCM)。 切換至交流電源以提高效能。

只有一個揚聲器有聲音:

- 確定 iPod/iPhone 完全插接至連線接頭。
- 確定音訊纜線已完全插入音訊輸入插孔。
- 確定音訊纜線是立體聲纜線。

規格

| | |
|-----------------|--|
| 相容性: | iPod 連線版本 (包括 iPod nano 第 5 代、iPod touch 第 2 代、iPod nano 第 4 代、iPod classic、iPod touch 第 1 代、iPod nano 第 3 代、iPod nano 第 2 代、iPod 第 5 代、iPhone 4GB、8GB、16GB、iPhone 3G 8GB、16GB、iPhone 3GS 16GB、32GB、MP3 和 CD 播放器、桌上型和筆記型電腦 (所有平台)) |
| 轉換器: | 2 x 25mm (1") JBL Odyssey™ 全音域 |
| 電源: | 2 瓦特 x 2 |
| 頻率反應: | 110Hz – 20kHz |
| 信號與雜訊比: | 63dB |
| 輸入阻抗 (Aux): | 3k 歐姆 |
| 輸入連接: | 主要連接 - iPod 和 iPhone 連線接頭; Aux 輸入連接 - 3.5mm (1/8") 立體聲迷你插孔 |
| 電池需求: | 4 x AAA, 鎳氫或鹼性 |
| 電源需求: | 6 直流電, 1.5A |
| 耗電量: | 10W (最大) |
| 尺寸 (D x W x H): | 168 公釐 x 168 公釐 x 54 公釐 (6-5/8 吋 x 6-5/8 吋 x 2-1/4 吋) |
| 重量: | 0.36 公斤 (0.8 磅) |
| 可選烤漆顏色: | 黑色; 白色 |



HARMAN Harman Consumer, Inc.
8500 Balboa Boulevard, Northridge, CA 91329 USA

www.JBL.com

© 2010 Harman International Industries, 保留所有權利。

功能、規格和外觀如有更改，恕不另行通知。

JBL 是 Harman International Industries, Incorporated 在美國及/或其他國家或地區的註冊商標。Odyssey 是 Harman International Industries, Incorporated 的商標。

*On Stage 商標已獲 OSA International, Inc. 允許使用。

iPhone, iPod touch, iPod classic, iPod nano 與 iTunes 是 Apple, Inc. 在美國及其他國家或地區的註冊商標。不包括 iPod/iPhone。

「Made for iPod」(專為 iPod 製造)和「Made for iPhone」(專為 iPhone 製造)表示，電子配件是專為分別連接至 iPod 和 iPhone 設計，而且已獲開發商認證，達到 Apple 的效能標準。對於此裝置的運作及其是否符合安全性和法規標準，Apple 概不負責。

JBL ON STAGE®* MICRO III

iPod/iPhone için Hoparlör Docku



Made for
iPod iPhone

iPod/iPhone dahil değildir.



KULLANIM KILAVUZU

ÖNEMLİ GÜVENLİK TALİMATLARI

1. Bu talimatları okuyun.
2. Bu talimatları saklayın.
3. Bu uyarıları dikkate alın.
4. Bütün talimatları uygulayın.
5. Bu cihazı su yakınında kullanmayın.
6. Yalnızca kuru bezle temizleyin.
7. Havalandırma deliklerini kapatmayın. Üreticinin talimatlarına göre kurulum yapın.
8. Radyatör, soba (anfi dahil)...gibi ısı üreten kaynakların yakınına yerleştirmeyin.
9. Kutuplanmış veya topraklı fişlerin güvenlik amaçlarını engellemeyin. Kutuplanmış fişlerin biri diğerinden geniş iki ucu vardır. Topraklamalı tipin iki ucu ve üçüncü bir topraklamalı ucu vardır. Geniş uç ve üçüncü uç sizin güvenliğinizi için sağlanmıştır. Eğer temin edilen fiş prize uygun değilse, uygun bir prizle değiştirilmesi için elektrik teknisyenine başvurunuz.
10. Güç kablosunu ve özellikle fişleri, prizleri ve cihazın çıkış noktalarını ezilmekten ve sıkıştırılmaktan koruyun.
11. Sadece üretici tarafından belirlenen ekler/aksesuarları kullanın.
12. Üretici tarafından belirtilen ya da bu cihazla satın alınan taşıma arabası, stand, tripod, braket ve masayı kullanın. Taşıma arabası kullanıldığında devrilme sonucu yaralanmayı önlemek için araba/cihazı hareket ettirildiğinde koruyucu kalkan kullanın.



13. Yıldırım/fırtına olduğu durumlarda veya cihaz uzun süre kullanılmadığında fişten çekin.
14. Kaliteli hizmet personelinize başvurun. Güç kablosu veya priz hasar görmesi, cihaza sıvı dökülmesi veya içine bir cisim düşmesi, cihazın yağmur veya neme maruz kalması, cihazın düzgün çalışmaması veya cihazın düşürülmesi bir durumda cihaz herhangi bir şekilde hasar gördüğünde servis gereklidir.
15. Cihazları sıvı damlama ve sıçramalarına maruz bırakmayın ve vazo gibi içi su dolu cisimleri cihaz üzerine bırakılmamasını sağlayın.
16. Bu cihazın ana elektrik kaynağından bağlantısını tamamen kesmek için, güç kaynağı kablosunu AC prizinden çekiniz.
17. Güç kablosunun ana fişi kolayca çalıştırılabilir durumda kalacaktır.
18. Piller güneş, ateş ve benzeri gibi aşırı ısılarla maruz kalmamalıdır.



Bir eşkenar üçgen içindeki okbaşı sembolü ile şimşek işareti kullanıcıyı cihazda kişilere elektrik şoku riski oluşturan yeterli çekim olabilecek yalıtımsız "tehlikeli voltajın" bulunduğunu uyarmak içindir.



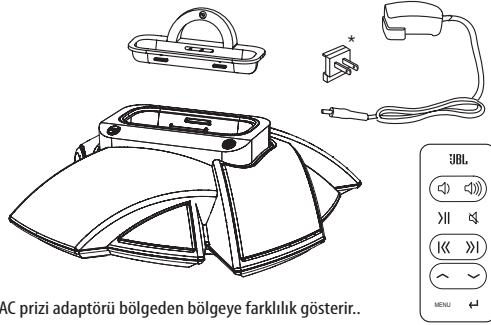
İçinde ünlem işareti bulunan eşkenar üçgen içindeki sembol kullanım kılavuzu metninde ürünle ilgili çok önemli çalışma ve servis talimatların bulunduğunu kullanıcıyı bildirmek için tasarlanmıştır.

UYARI: Yangın ve elektrik şoku riskini azaltmak için cihazı yağmurdan veya nemli bölgelerden uzak tutunuz.

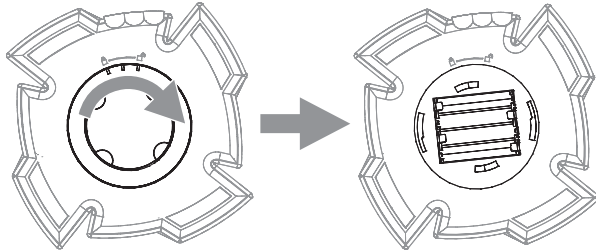
TÜM ELEKTRONİK ÜRÜNLERİ İÇİN ÖNEMLİ NOT: Cihazın kulaklık veya hat düzeyi çıkış jacklarından ses kablolarını çıkarmadan veya takmadan önce cihazı kapatmak iyi bir uygulamadır. Bu uygulama cihazın ömrünü uzatacak statik elektrikten cihazın korunmasına yardımcı olacak ve potansiyel hasarı önleyecektir.

JBL ON STAGE® MICRO III KOLAY KURULUM KILAVUZU

1. Hoparlör dokunuzu dikkatlice ambalajından çıkarın ve burada gösterilen tüm öğelerin eksiksiz bulunduğundan emin olun: JBL On Stage® Micro III Hoparlör Doku, güç kaynağı, uzaktan kumanda ve iPod/iPhone adaptörü.



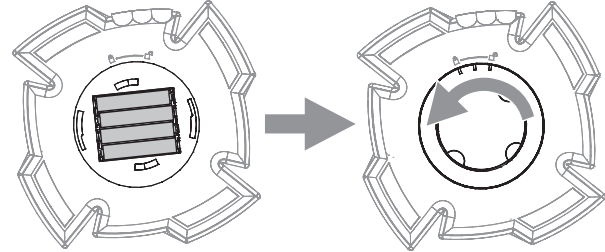
2. Pil kapağını kilit açık konumuna getirin ve çıkarın.



3. Dört adet AAA pilini yuvaya yerleştirin. Pil yuvasında gösterilen pil kutuplarına dikkat ederek yerleştirin.

PİL KULLANIMI HAKKINDAKİ NOTLAR:

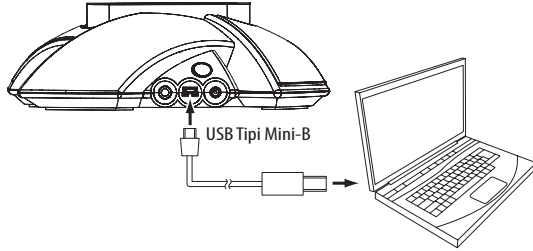
- Eğer yeniden şarj edilen pilleri kullanıyorsanız, pilleri yerleştirmeden önce pillerin tam şarj edildiğinden emin olunuz. JBL On Stage Micro III yeniden şarj edilebilir pilleri şarj etmez.
 - Standart pilleri kullanıyorsanız, pillerin tamamının yeni olduğundan emin olunuz.
 - Yeniden şarj edilebilir piller ile standart pilleri bir arada kullanmayın. Aynı tip pilleri kullanın.
 - Pillerin değiştirilmesi gerektiğinde durum LED'i amber rengi yanacaktır.
4. Pil kapağını yerleştirin ve kilitli konuma çevirin.



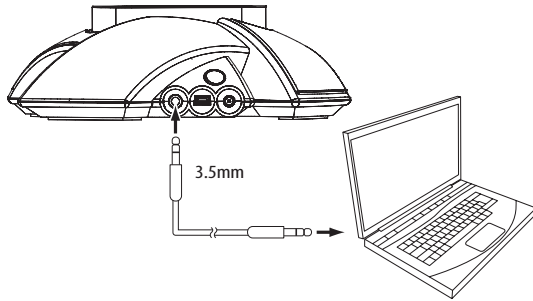
- Pil türlerini karıştırmayın.
- Şarj edilmiş ve kısmen şarj edilmiş pilleri karıştırmayın.
- Piller JBL On Stage Micro III içinde tekrar şarj edilmez.

UYARI: Farklı türde piller yerleştirildiğinde patlama riski vardır. Pilleri kullanım talimatlarına uygun olarak imhâ edin.

5. Bir USB Tipi Mini-B kablosunu (verilmemiştir) JBL On Stage Micro III 'ün USB bağlantı noktasına ve iTunes'ün bulunduğu bilgisayardaki USB bağlantı noktasına bağlayın.



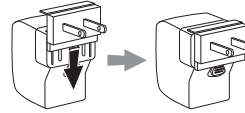
6. JBL On Stage Micro III'ünüzü diğer ses kaynağı ile kullanacaksanız, 3.5mm stereo kablonuzun (dahil edilmemiştir) bir ucunu Ses Giriş konektörüne bağlayın ve diğer ucunu ses kaynağı ses çıkışına veya kulaklık çıkış konektörüne bağlayın.



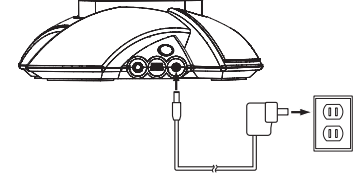
ÖNEMLİ: Eğer aynı anda ses girişine bağlı doklu iPod/iPhone'dan ses oynatırsanız, her iki çıkışı da JBL On Stage Micro III'den karışık olarak duyacaksınız. Sadece bir kaynaktan duymak için duymak istemediğiniz kaynağı manuel olarak kapatmanız gerekecektir.

7. Verilen AC çıkış adaptörünü tam olarak güç kaynağına takın (eğer birden fazla adaptör varsa, bölgeniz için olanı kullanın). Ardından güç kaynağını JBL On Stage Micro III 'ün 6V DC Girişi konektörüne bağlayın ve AC duvar prizine takın.

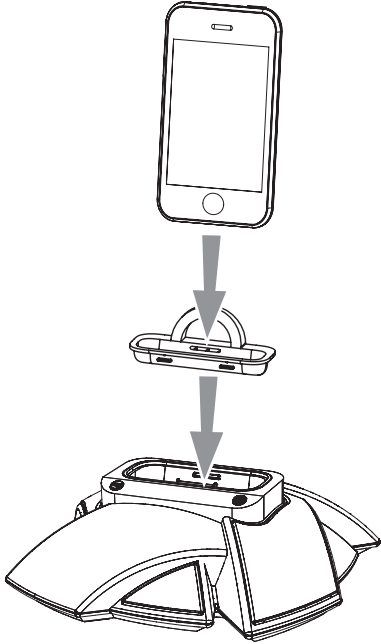
1.



2.

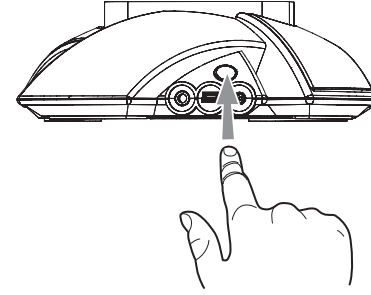


8. Uygun iPod/iPhone adaptörünü JBL On Stage Micro III'ün iPod'una da takın ve iPod/iPhone'unuzu dock konektörüne yerleştirin. iPod/iPhone'un tam olarak konektöre takıldığından emin olun.

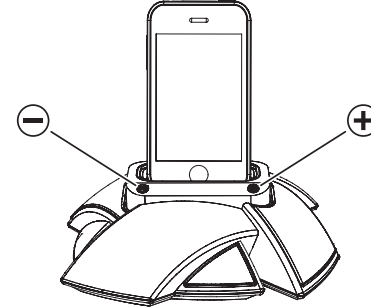


NOT: Eğer uygun olursa, iPod'unuz veya iPhone'unuz ile verilen adaptörü kullanın.

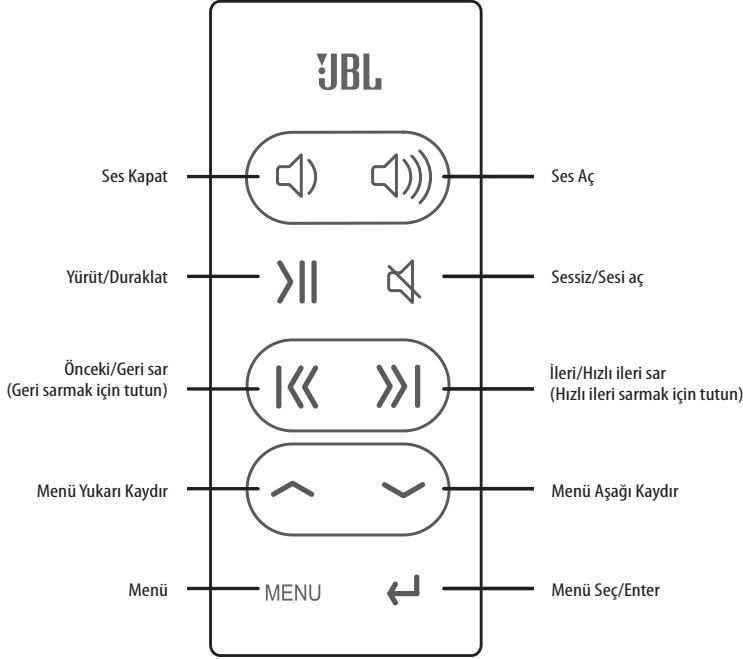
9. JBL On Stage Micro III'ün Açma/Kapama düğmesine basın. Sistem açıldığında cihazın Durum LED'i beyaz yanacaktır.



10. (+) ve (-) düğmelerini kullanarak sesi ayarlayın. Sesi kapatmak için her iki düğmeye de basın; sesi açmak için herhangi bir düğmeye basın.



UZAKTAN KUMANDA DÜĞMELERİ



NOT: iPod touch ve iPhone menü gezintisi iPod/iPhone'u müzik moduna manuel olarak ayarlamanızı gerektirebilir.

DURUM LED'İ

JBL On Stage Micro III'ün LED'i cihazın durumunu belirtmesi için farklı renkleri gösterecektir:

| LED EKRANI | DURUM |
|---------------------------|--|
| Beyaz – Sürekli | JBL On Stage Micro III açık |
| Beyaz – Yanıp sönüyor | JBL On Stage Micro III sessiz |
| Koyu sarı – Sürekli | Batarya zayıf |
| Koyu sarı – Yanıp sönüyor | JBL On Stage Micro III ve düşük sesi kapalı ve pil zayıf |
| LED yok | JBL On Stage Micro III Beklemede veya kapalı |

iTunes İLE SENKRONİZE OLUYOR

NOT: iPod/iPhone'unuzu iTunes ile birlikte senkronize etmeye çalışmadan önce hem iPod/iPhone'un hem de iTunes'ün en son yazılım sürümüne güncellendiğinden emin olun.

Senkronize etmeyi denemeden önce JBL On Stage Micro III'ün USB bağlantı noktasının iTunes'ünüzün bağlı olduğu bilgisayara bağlandığından emin olun.

1. iPod/iPhone'unuzu JBL On Stage Micro III'ün dock konektörüne yerleştirin. iPod/iPhone'un tam olarak konektöre takıldığından emin olun.
2. Bilgisayarınızın iTunes yazılımını kullanarak iPod/iPhone'u iTunes ile senkronize edin.
3. Senkronize etmeyi tamamladığınızda, iPod/iPhone'u iTunes'den çıkarın.

iPod/iPhone ŞARJ OLUYOR

JBL On Stage Micro III şu şartlarda doklu iPod/iPhone'u şarj edecektir:

- JBL On Stage Micro III'e AC güç adaptörü ile güç verildiğinde
- JBL On Stage Micro III, USB kablosu ile bir bilgisayara bağlandığında

JBL On Stage Micro III, USB kablosu ile bir bilgisayara bağlanmadığı sürece doklu iPod/iPhone'u pil gücü ile şarj etmeyecektir.

JBL ON STAGE MICRO III 'NİZİ PİL GÜCÜ İLE ÇALIŞTIRMAK İÇİN

Pilleri sayfa 3'deki *JBL On Stage Micro III Kolay Kurulum Kılavuzu – Adım 3* kısmında açıklandığı gibi yerleştirdiyseniz, JBL On Stage Micro III'ün güç adaptörünü prizden çıkarabilirsiniz ve cihaz pil gücü ile çalışacaktır.

Pil gücü ile çalışırken, sistem 5 dakika süre ile ses sinyali algılamazsa JBL On Stage Micro III kendiliğinden Bekleme moduna geçecektir. Ses sinyalini algıladığında, sistem normal çalışmaya dönecek ve LED yanacaktır.

AC güçle çalışırken, JBL On Stage Micro III, sistem 10 dakika boyunca hiçbir ses sinyali algılamadığında otomatik olarak bekleme moduna girecektir. Benzer biçimde, bir ses sinyali algıladığında normal çalışmaya dönecek ve LED yanacaktır.

Pil gücünün çalışması ile ilgili notlar:

- JBL On Stage Micro III yeniden şarj edilebilir pilleri şarj etmez.
- JBL On Stage Micro III, USB kablosu ile bir bilgisayara bağlanmadığı sürece doklu iPod/iPhone'u pil gücü ile şarj etmeyecektir.

SORUN GİDERME JBL ON STAGE MICRO III

SORUN

ÇÖZÜM

Ses yok (beyaz led yanmıyor):

- Güç kaynağının JBL On Stage Micro III'e ve çalışan bir AC prizine doğru bağlandığından emin olun.
- Eğer pil gücü kullanıyorsanız, dört pilin hepsini tek kullanımlık yeni piller ile ya da yeni şarj edilmiş şarj edilebilir piller ile değiştirin. Pillerin değiştirilmesi gerektiğinde LED amber rengi yanacaktır.
- JBL On Stage Micro III enerji koruma modundadır (en az 10 dakika ses algılanmaz).

Ses yok (beyaz led yanar):

- Ses artırma (+) düğmesine dokunarak sistem sesini artırın.
- Eğer doklu bir iPod/iPhone kullanıyorsanız, JBL On Stage Micro III'e doğru doklandığından emin olun.
- Eğer yardımcı bir kaynak kullanıyorsanız, ses kablosunun JBL On Stage Micro III'ün Ses Girişi konektörüne ve kaynak komponentin ses çıkışına doğru bağlandığından emin olun.
- iPod veya kaynak komponentin Duraklatma modunda olmadığından ve ses kontrolünün tamamen kapatılmadığından emin olun.

ses çatlakları, tıslamalar veya bozuklukları:

- iPod veya kaynak komponentinin sesini kapatın.
- iPod'un EQ ayarının "Kapalı"ya ayarlandığından emin olun.

sesli mırıldanma veya uğultu:

- Ses kablosunun Ses Giriş jakına tam takıldığından emin olun.
- Ses kablosunu yerleştirin.
- Güç kaynağının fişini prizden çekin ve farklı bir AC prizine takın.

SORUN

Azami ses seviyesi azalır:

ÇÖZÜM

Ses sadece bir hoparlörden geliyor:

- JBL On Stage Micro III, Pil Tasarrufu Modundadır (BCM). Daha yüksek performans için AC gücüne geçin.
- iPod/iPhone'un dock konektörüne doğru bir şekilde tam oturduğundan emin olun.
- Ses kablosunun Ses Giriş yakına tam takıldığından emin olun.
- Ses kablosunun bir stereo kablo olduğundan emin olun.

TEKNİK ÖZELLİKLER

| | |
|-----------------------------|---|
| Uyum: | iPod'un dock sürümleri (iPod nano 5. nesil, iPod touch 2. nesil, iPod nano 4. nesil, iPod klasik, iPod touch 1. nesil, iPod nano 3. nesil, iPod nano 2. nesil, iPod 5. nesil, iPhone 4GB, 8GB, 16GB, iPhone 3G 8GB, 16GB, iPhone 3GS 16GB, 32GB, MP3 ve Cd çalar, masaüstü ve dizüstü bilgisayarlar dahil (tüm platformlar) |
| Transdüserler: | 2 x 1" (25mm) JBL Odyssey™ tam seri |
| Güç: | 2 watt x 2 |
| Frekans Tepkisi: | 110Hz – 20kHz |
| Gürültü Sinyal oranı: | 63dB |
| Giriş empedansı (Yardımcı): | 3k ohm |
| Giriş bağlantıları: | Ana bağlantı – iPod ve iPhone dock konektörleri; Yardımcı giriş bağlantısı – 3.5mm (1/8") stereo mini jak |
| Pil gereksinimi: | 4 x AAA, NiMh veya alkalin |
| Güç gereksinimi: | 6V DC, 1.5A |
| Güç tüketimi: | 10W (maksimum) |
| Ebatlar (D x G x Y): | 168mm x 168mm x 54mm (6-5/8" x 6-5/8" x 2-1/4") |
| Ağırlık: | 0.36kg (0.8 lb) |
| Mevcut renkler: | Siyah; beyaz |



HARMAN Harman Consumer, Inc.
8500 Balboa Boulevard, Northridge, CA 91329 USA

www.JBL.com

© 2010 Harman International Industries, Incorporated. Tüm hakları saklıdır.

Özellikleri, teknik özellikleri ve görüntüsü önceden haber verilmeden değiştirilebilir.

JBL, Harman International Industries, Incorporated firmasının ABD ve/veya diğer ülkelerde tescil edilen ticari markasıdır. Odyssey, Harman International Industries, Incorporated firmasının ticari markasıdır.

*On Stage ticari markası OSA International, Inc firmasının izni ile kullanılmaktadır. '

iPhone, iPod, iPod nano, iTunes ve iPod touch Apple, Inc. firmasının ABD ve diğer ülkelerde tescil edilmiş ticari markalardır. iPod/iPhone dahil değildir.

"Made for iPod" ve "Made for iPhone" ifadeleri elektronik aksesuarın sırasıyla özellikle iPod ve iPhone'a bağlanmak için tasarlandığı anlamına gelmiş olup Apple performans standartlarını karşılaması için geliştirici tarafından onaylanmıştır. Apple bu cihazın çalışmasından ya da güvenlik ve düzenleme standartları ile uyumlu olup olmadığından sorumlu değildir.



HARMAN Harman Consumer, Inc.
8500 Balboa Boulevard, Northridge, CA 91329 USA

www.JBL.com

© 2010 Harman International Industries, Incorporated. All rights reserved.

Features, specifications and appearance are subject to change without notice.

JBL is a trademark of Harman International Industries, Incorporated, registered in the United States and/or other countries. Odyssey is a trademark of Harman International Industries, Incorporated.

*The trademark On Stage is used with permission of OSA International, Inc.

iPhone, iPod, iPod nano, iTunes and iPod touch are trademarks of Apple, Inc., registered in the U.S. and other countries. iPod/iPhone not included.

“Made for iPod and “Made for iPhone” mean that an electronic accessory has been designed to connect specifically to iPod and iPhone, respectively, and has been certified by the developer to meet Apple performance standards. Apple is not responsible for the operation of this device or its compliance with safety and regulatory standards.